

**200** EXC SINGAPORE

**KTM**  
SPORTMOTORCYCLES

ERGANZUNG ZUM ERSATZTEILKATALOG ART.NR. 3.204.79

125/200 SX, MXC, EXC FAHRGESTELL

SUPPLEMENT TO SPARE PARTS MANUAL ART.NO. 3.204.79

125/200 SX, MXC, EXC CHASSIS

**2000**



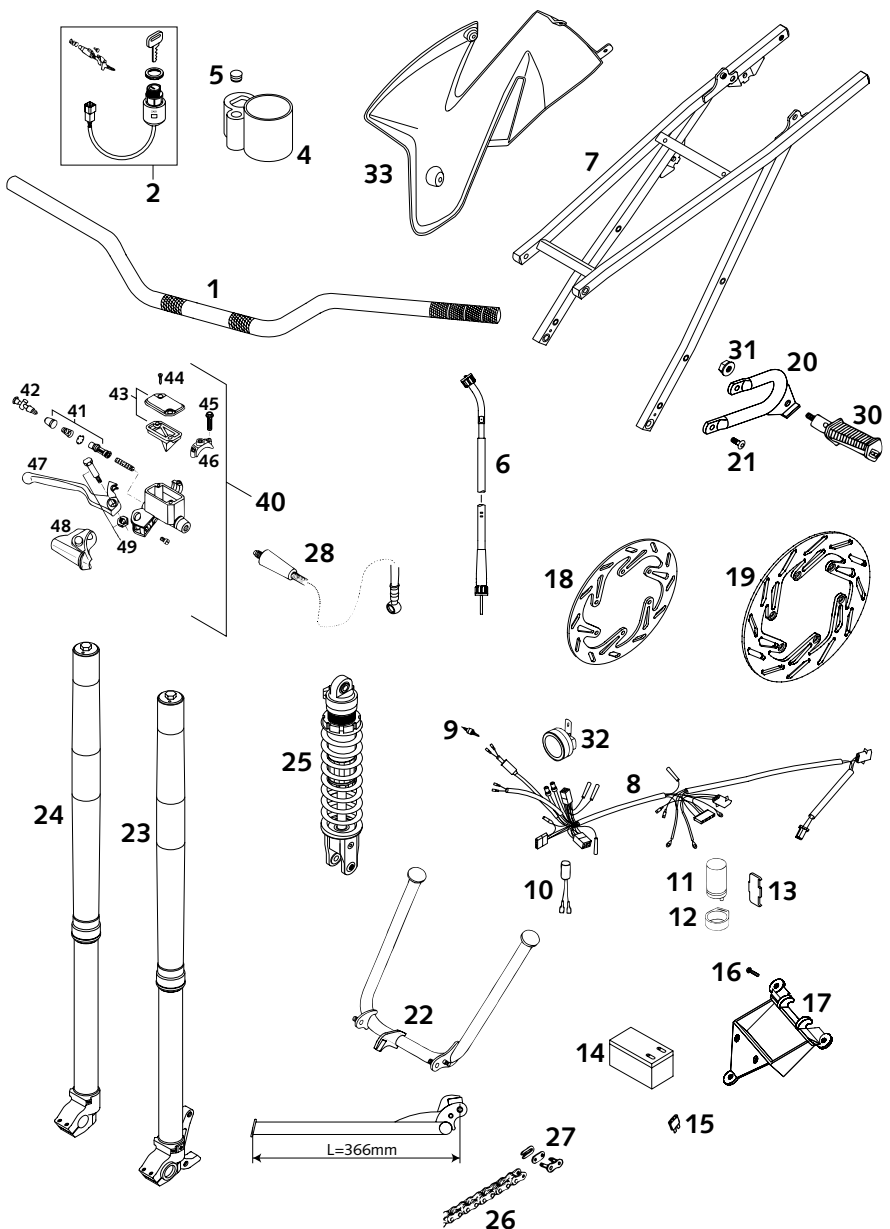


FIG	TEILNR/PARTNR	BEZEICHNUNG	DESCRIPTION	QTY
1	583.02.001.400	ALU-LENKER SILBER „4T“ '97	ALU-HANDLEBAR SILVER „4T“ '97	1
2	503.11.065.000	ZÜND-UND LENKSCHLOSS KPL. ZADI	IGNITION LOCK CPL. ZADI '99	1
4	503.14.065.100	TACHOGEHÄUSE 125-380 EGS '99	SPEEDOMETER CASE 125-380 EGS	1
5	502.10.086.000	ABDECKKAPPE SFL16	COVERING CAP SFL16	1
6*	512.14.055.000	TACHOWELLE L=885MM 125EXE 2000	SPEEDO.CABLE 885MM 125EXE 2000	1
7*	512.03.002.044	AUSLEGER 125 EXE KPL. ALU 2000	SUB FRAME 125 EXE CPL.ALU 2000	1
8	503.11.075.400	HAUPTKABELSTR. 125-200 EGS '99	WIRING HARNESS 125-200 EGS '99	1
9	510.11.050.000	BREMSLICHTSCHALTER VORNE	FRONT BRAKE LIGHT SWITCH	1
10	260.11.130.000	DIODE	DIODE	1
11	491.11.435.100	KONDENSATOR 25VOLT, 10.000 MF	CONDENSATOR 25V, 10.000 MF	1
12	545.11.048.000	KONDENSATORAUFNAHME	CAPACITOR BRACKET	2
13	503.11.037.000	HALTERUNG FÜR KONDENSATOR '98	BRACKET FOR CONDENSATOR '98	1
14	545.11.008.000	BATTERIE 12V 1,2AH	BATTERY 12V 1,2AH	1
15	580.11.109.010	STECKSICHERUNG 10 A	FUSE 10 A	1
16	0017 060203	SONDERSCHRAUBE T60 6X20	SPECIAL SCREW T60 6X20	3
17	503.06.013.000	BATTERIETRÄGER 125-380 EGS '98	BATTERY CARRIER 125-380 EGS'98	1
18	546.10.060.200	BREMSSCHEIBE HINTEN 220MM	REAR BRAKE DISK 220MM	1
19	565.09.060.700	BREMSSCHEIBE VORNE D=260MM	FRONT BRAKE DISK D=260MM	1
20*	512.03.048.000	FUSSRASTENRÄGER HINTEN LINKS	FOOTREST BRACKET REAR L/S	1
—*	512.03.049.000	FUSSRASTENRÄGER HINTEN RECHTS	FOOTREST BRACKET REAR R/S	1
21	0107 080203	ISK.LI.SCHRAUBE DIN0107-M 8X20	AH OVAL H.SCREW DIN0170-M 8X20	4
22*	512.03.016.000	MITTELST. 125EXE L=366MM 2000	CENTERST. 125EXC L=366MM 2000	1
23*	0618.T777LS	GABELBEIN LI. WP 125 EXE 2000	FORK LEG L/S WP 125 EXE 2000	1
24*	0618.T777RS	GABELBEIN RE. WP 125 EXE 2000	FORK LEG R/S WP 125 EXE 2000	1
25*	1218.T715	MONOSHOCK PDS KURZ 125EXE 2000	MONOSHOCK SHORT 125 EXE 2000	1
26	511.10.065.000	O-RING KETTE 5/8X1/4" CZ	O-RING CHAIN 5/8X1/4" CZ	1
27	511.10.066.000	KETTENSCHLOSS CZ O-RING KETTE	MASTER LINK CZ O-RING CHAIN	1
28*	512.13.011.000	BREMSSCHL. VORNE 125 EXE 2000	BRAKEHOSE FRONT 125 EXE 2000	1
30	490.03.250.000	FUSSRASTE HINTEN LINKS KPL.	FOOTREST REAR L/S CPL.	1
—	490.03.350.000	FUSSRASTE HINTEN RECHTS KPL.	FOOTREST REAR R/S CPL.	1
31	490.09.082.000	STOVERFLANSCHMUTTER M10 FK10	SELF LOCKING NUT M10 WS=17	2
32	545.11.060.000	GLEICHSTROMHORN 12V TR9	DC HORN 12V TR9	1
33	523.08.051.000/04	SPOILER RECHTS ORANGE SGP '99	SPOILER R/S ORANGE SGP '99	1
40*	584.13.001.000	HANDBREMSZYLINDER SCHWARZ 2000	HAND BRAKE CYLINDER BLACK 2000	1
41	502.13.050.000	REPARATUR-SATZ KOLBEN 11MM	REPAIR KIT PISTON 11MM	1
42	502.13.021.000	STELLSCHRAUBE KPL.	ADJUSTING SCREW CPL.	1
43	502.13.012.000	DECKEL KPL.	COVER CPL.	1
44	0965 050163	SENKSCHRAUBE DIN0965-M 5X16	FLAT HEAD SCREW DIN0965-M 5X16	2
45	0015 060253	SK.BUNDSCHRAUBE M 6X25 SW=8	HH COLLAR SCREW M 6X25 WS=8	2
46	580.12.040.150	KLEMMSCHELLE FÜR SPIEGEL '94	CLAMP FOR MIRROR '94	1
47	502.13.020.000	HANDBREMSHEBEL LOSE BREMBO'94	HAND BRAKE LEVER LOOSE BREMBO'94	1
48	502.13.023.000	SCHUTZKAPPE BREMBO'94	PROTECTION CAP BREMBO'94	1
49	502.13.015.000	HEBELSCHRAUBE KPL.	LEVER SCREW CPL.	1

# TECHNICAL SPECIFICATIONS CHASSIS 200 EXC SINGAPORE 2000

	<b>200 EXC</b>
Frame	Central chrome-moly-steel frame
Fork	White Power – Mx Top Adjuster
Wheel travel front/rear	220/260 mm (8.7/10.2 in)
Rear suspension	WP Progressive Damping System shock absorber, aluminium swingarm
Front brake	Disc brake with carbon-steel brake disc Ø 260 mm (10.2 in), brake caliper floated
Rear brake	Disc brake with carbon-steel brake disc Ø 220 mm (8.7 in), brake caliper floated
Brake discs	Wear limit max. 0.4 mm (0,016 in)
Front tires	3.00 - 21"
Air pressure road driver only	1,8 bar (26psi)
Air pressure road with passenger	2,0 bar (28psi)
Rear tires	4.60 - 18"
Air pressure road driver only	2,0 bar (28psi)
Air pressure road with passenger	2,2 bar (31psi)
Fuel tank capacity	12 liter (3.2 US Gallons)
Final drive ratio	14:40t
Chain	O-Ring 5/8 x 1/4 "
Battery	12V 1,2Ah
Available final sprockets	38t, 40t, 42t, 45t, 48t, 50t, 52t
Steering head angle	63°
Wheel base	1461 ± 10 mm (57.3 ± 0.4 in)
Seat height, unloaded	865 mm (34 in)
Ground clearance, unloaded	290 mm (11,4 in)
Dead-weight *	100 kg (221 lbs)

\* Dead-weight without fuel

STANDARD ADJUSTMENT-FORK	
Compression adjuster	WP 06181777
Rebound adjuster	10
Spring	9
Spring preload	4,2 N/mm
Air chamber length	10 mm (0,4in)
Capacity per fork leg	140 mm (5.5in)
Fork oil	approx. 250 ccm SAE 5

STANDARD ADJUSTMENT - SHOCK ABSORBER	
Compression adjuster	WP 12181715
Rebound adjuster	3
Spring	14
Spring preload	PDS1-250 5mm (0.2 in)

TIGHTENING TORQUES - CHASSIS			
Collar nut front wheel spindle	M16x1,5		40 Nm (30ft.lb)
Brake caliper front	M8	Loctite 243 + 25 Nm (19ft.lb)	
Brake disk front	M6	Loctite 243 + 15 Nm (11ft.lb)	
Brake disk rear	M6	Loctite 243 + 15 Nm (11ft.lb)	
Clamping screws upper fork bridge	M8	20 Nm (15ft.lb)	
Clamping screws lower fork bridge	M8	15 Nm (11ft.lb)	
Clamping screws fork stubs	M8	10 Nm (7ft.lb)	
Collar nut rear wheel spindle	M20x1,5	80 Nm (59ft.lb)	
Hexagon nut swing arm bolt	M14x1,5	100 Nm (74ft.lb)	
Hexagon collar screw handlebar clamp	M8	20 Nm (15ft.lb)	
Allan head screw handlebar support	M10	Loctite 243 + 40 Nm (30ft.lb)	
Shock absorber top	M12	60 Nm (44ft.lb)	
Shock absorber bottom	M12	60 Nm (44ft.lb)	
Sprocket screws	M8	Loctite 243 + 35 Nm (25ft.lb)	
Ball joint for push rod	M6	Loctite 243 + 10 Nm (7ft.lb)	
Engine mounting bolt	M10	45 Nm (33ft.lb)	
Engine brace	M8	33 Nm (24ft.lb)	
Screw adjusting ring spring preload	M6	8 Nm (6 ft.lb)	
Other screws on chassis	M6 M8 M10	10 Nm (7ft.lb) 25 Nm (19ft.lb) 45 Nm (33ft.lb)	
Other collar nuts on chassis	M6 M8 M10	15 Nm (11ft.lb) 30 Nm (22ft.lb) 50 Nm (37ft.lb)	



KTM SPORTMOTORCYCLE AG  
5230 Mattighofen  
Austria  
[www.ktm.at](http://www.ktm.at)

