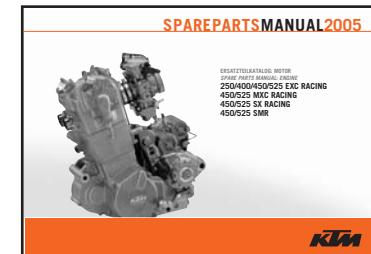


SPAREPARTSMANUAL2005

ERSATZTEILKATALOG: FAHRGESTELL + MOTOR
SPARE PARTS MANUAL: CHASSIS + ENGINE
450 SXS

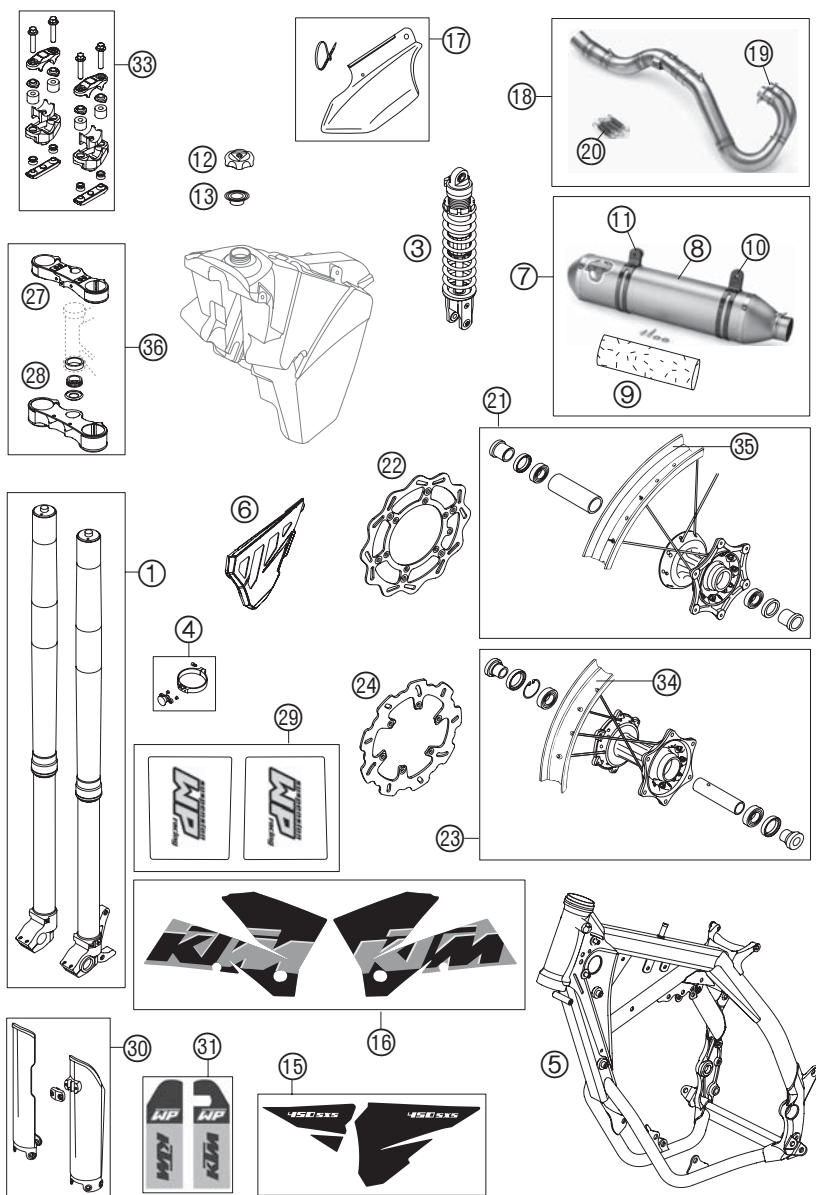


ERGÄNZUNG ZU DEN ERSATZTEILKATALOGEN
ART.NR. 3.208.166 + 3.208.167
SUPPLEMENT TO SPARE PARTS MANUALS
ART.NO. 3.208.166 + 3.208.167
250/400/450/525 EXC RACING
450/525 MXC RACING
450/525 SX RACING **2005**



NEUTEILE FAHRGESTELL » NEW PARTS CHASSIS

450 SXS / 2005



05-SXS.27.2

| FIG | TEILNR/PARTNR | BEZEICHNUNG | DESCRIPTION | QTY |
|-----|-------------------|--------------------------------|--------------------------------|-----|
| 1* | 1418.7A16 | GABEL WP 450/540 SXS RAC. 05 | FORK WP 450/540 SXS RAC. 05 | 1 |
| 3* | 1218.7A12 | MONOSHOCK 450/540 SXS RAC. 05 | MONOSHOCK 450/540 SXS RAC. 05 | 1 |
| 4* | SXS.05.540.100 | FACTORY START 05 | FACTORY START 05 | 1 |
| 5* | SXS.05.450.550 | RAHMEN 450/540 SXS "DF05" 05 | FRAME 450/540 SXS "DF05" 05 | 1 |
| 6* | 592.06.003.500 | FILTERKASTENDECKEL SXS | SXS FILTERBOX COVER | 1 |
| 7 | SXS.04.540.502 | ENDDÄMPFER TITAN SXS 2004 | SILENCER TITAN SXS 2004 | 1 |
| 8 | SXS.02.540.507 | REPARATUR-KIT MIT HÜLLE 02 | REPAIR-KIT INCL. COVER 02 | 1 |
| 9 | SXS.02.540.505 | DÄMMSTOFF-KIT L=560MM 02 | STUFFING YARN-KIT L=560MM 02 | 1 |
| 10 | SXS.02.540.503 | HALTESCHELLE CARBON VORNE 02 | CLAMP F.SILENC.CARBON FRONT 02 | 1 |
| 11 | SXS.04.540.504 | HALTESCHELLE CARBON HINTEN 04 | RETAINING CLIP REAR CARBON 04 | 1 |
| 12 | SXS.03.540.700 | TANKVERSCHLUSS ALU 03 | FILLER CAP ALU 03 | 1 |
| 13 | 590.07.009.000 | DICHTUNG FÜR TANKVERSCHL.HOCH | GASKET FOR FILLER CAP HIGH | 1 |
| 15* | 594.08.191.200 | HUBRAUMAUFKLEBER 450 SXS 2005 | DISPLACEM. STICKER 450 SXS 05 | 1 |
| 16* | SXS.05.125.950 | SPOILERDEKOR SXS 05 | SPOILER DECAL SXS 05 | 1 |
| 17* | SXS.05.450.515 | HITZESCHUTZ CARBON 2005 | HEAT PROTECTOR CARBON | 1 |
| 18 | SXS.04.450.500 | AUSPUFFROHRE TITAN SXS 04 | EXHAUST PIPES TITAN SXS 04 | 1 |
| 19 | SXS.02.540.506 | AUSPUFFFLANSCH 03 | EXHAUST FLANGE 03 | 1 |
| 20 | 573.05.016.000 | AUSPUFF-FEDER MIT GUMMI 02 | EXHAUST-SPRING WITH RUBBER 02 | 1 |
| 21* | 548.09.001.344/30 | VORDERRAD KPL.1,6X21" EXCEL 05 | FRONT WHEEL CPL. 1,6X21"EXCEL | 1 |
| 22* | 548.09.060.300 | BREMSSCHEIBE VORNE D=260MM 05 | FRONT BRAKE DISC D=260 MM | 1 |
| 23* | 548.10.001.544/30 | HINTERRAD KPL.2,15X19 EXCEL 05 | REAR WHEEL CPL.2,15X19 EXCEL | 1 |
| 24* | 548.10.060.200 | BREMSSCHEIBE HI. D=220MM 05 | BRAKE DISC REAR D=220 MM | 1 |
| 27* | 594.01.034.019/88 | GABELBRÜCKE OBEN 54MM 05 | TOP TRIPLE CLAMP 54MM 05 | 1 |
| 28* | 594.01.031.019/88 | GABELBRÜCKE UNTEN D=60MM 05 | BOTTOM TRIPLE CLAMP D=60MM 05 | 1 |
| 29* | 5200.0026 | GABELAUFKLEBER-SET WP TRANSP. | STICKER FR.FORK-SET WP TRANSP. | 1 |
| 30* | 590.01.094.000/04 | GABELSCHUTZ LI+RE ORANGE 02 | FORK PROTECTION L/S ORANGE 02 | 1 |
| 31* | 590.01.094.050 | STICKER-SET GABELSCHUTZ WP/KTM | FORK PROT. STICKER-SET WP/KTM | 1 |
| 33* | SXS.05.125.200 | PHDS LENKERAUFNAHME | PHDS HANDLEBAR SUPPORT | 1 |
| 34* | 546.10.070.100/30 | FELGE 2,15X19"EXCEL AL4 SCHW. | RIM 2,15X19"EXCEL AL4 BLACK | 1 |
| 35* | 546.09.070.100/30 | FELGE 1,60X21"EXCEL AL4 SCHW. | RIM 1,60X21"EXCEL AL4 BLACK | 1 |
| 36* | 594.01.099.019/88 | GABELBR.GEFRÄST 18-20MM OFFSET | TRIPLE CLAMP 18-20MM OFFSET | 1 |

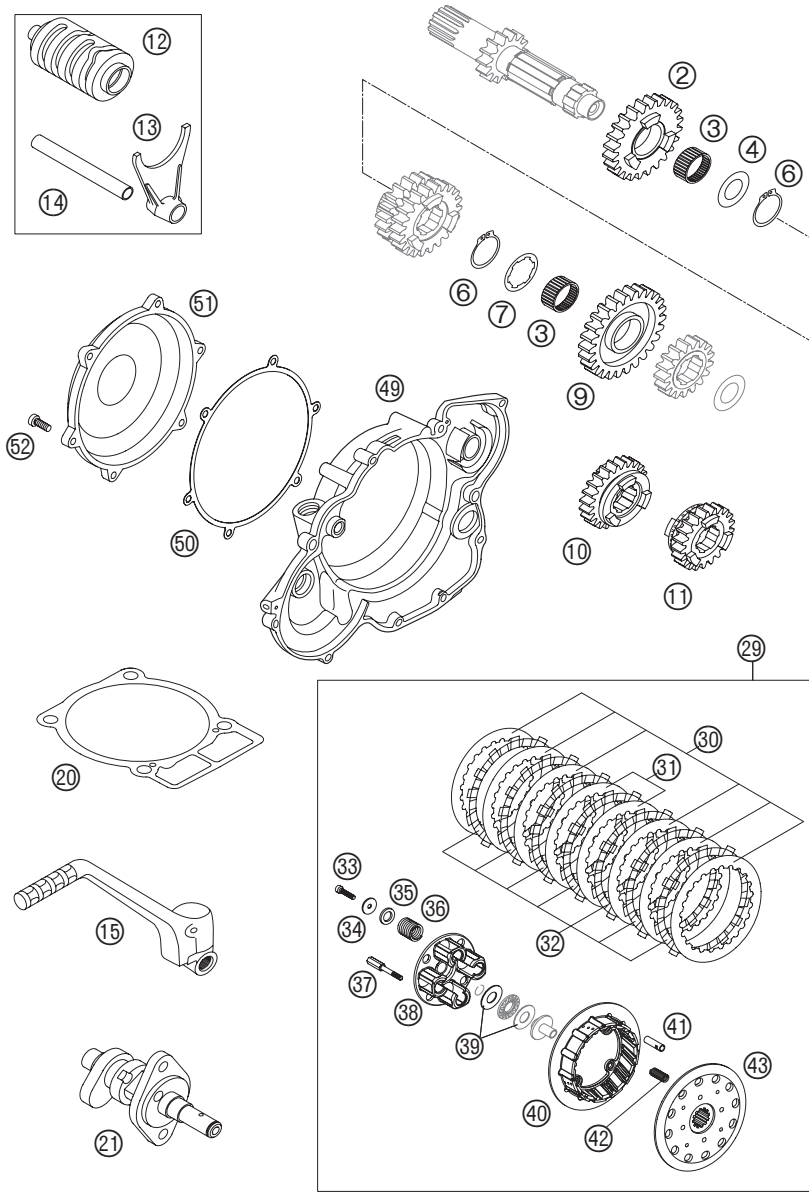
05-SXS.27.2

* NEUTEIL / NEW PART X NACH BEDARF / AS REQUIRED



NEUTEILE MOTOR » NEW PARTS ENGINE

450 SXS / 2005



05-SXS.48.2

| FIG | TEILNR/PARTNR | BEZEICHNUNG | DESCRIPTION | QTY |
|-----|----------------|--------------------------------|-------------------------------|-----|
| 2* | 590.33.005.039 | LOSRAD 5.G 24-Z "39" | IDLER GEAR 5.G 24-T "39" | 1 |
| 3* | 0405 222613 | NADELKRAZ K 22X26X13 TN | NEEDLE BEAR. K 22X26X13 TN | 2 |
| 4* | 590.33.031.000 | ANLAUFSCHIEBE 25,2X32X1,5 | STOP DISC 25,2X32X1,5 | 1 |
| 6* | 0471 250120 | SICHERUNGSRING DIN0471-25X1,2 | CIRCLIP DIN0471-25X1,2 | 2 |
| 7* | 590.33.030.000 | ANLAUFSCHIEBE 25,2X32X1,5 | STOP DISC 25,2X32X1,5 | 1 |
| 9* | 590.33.006.045 | LOSRAD 6.G 21-Z "45" | IDLER GEAR 6.G 21-T "45" | 1 |
| 10* | 590.33.015.040 | SCHIEBERAD 5.G.24-Z "40" | SLIDING GEAR 5.G.24-T "40" | 1 |
| 11* | 590.33.016.044 | SCHIEBERAD 6.G 18-Z "44" | SLIDING GEAR 6.G 18-T "44" | 1 |
| 12* | 590.34.112.000 | SCHALTWALZE 5 GANG 05 | SHIFTROLLER 6-GEAR | 1 |
| 13* | 590.34.001.000 | SCHALTGABEL 5./6.GANG 2000 | SHIFT FORK 5./6.GEAR 2000 | 1 |
| 14* | 590.34.019.000 | SCHALTSCHIENE ANT. 11,8X89MM | SHIFT RAIL 11,8X89MM | 1 |
| 15* | 590.33.070.044 | KICKSTARTER KPL. RACING | KICKSTARTER CPL. RACING | 1 |
| 20* | CR4.30.035.030 | FUSSDICHTUNG 89 | SEALING 89 | 1 |
| 21* | 598.36.010.100 | NOCKENWELLE 250 RAC. 2002 | CAMSHAFT 250 RAC. 2002 | 1 |
| 29* | 590.32.000.100 | KUPPLUNG ANTIHOPPING 05 | ANTIHOPPING CLUTCH 05 | 1 |
| 30* | 590.32.010.100 | ZWISCHENLAMELLE 1MM 2002 | INTERMEDIATE DISC 1MM 2002 | 6 |
| 31* | 590.32.010.200 | ZWISCHENLAMELLE 1,4MM 2002 | INTERMEDIATE DISC 1,4MM 2002 | 2 |
| 32* | 590.32.011.100 | BELAGLAMELLE 2MM 04 | LINING DISC 2MM 04 | 7 |
| 33* | 0015 050253 | SK.BUNDSCHRAUBE M 5X25 SW=8 | HH COLLAR SCREW M 5X25 WS=8 | 4 |
| 34* | 590.32.006.100 | UNTERLAGSCHEIBE 5,5X20X1,5 | WASHER 5,5X20X1,5 | 4 |
| 35* | 590.32.006.200 | EINSTELLSCHIEBE 12,5X20X1 | ADJUST. SHIM 12,5X20X1 05 | 4 |
| 35* | 590.32.006.300 | EINSTELLSCHIEBE 12,5X20X2 | ADJUST. SHIM 12,5X20X2 05 | 4 |
| 35* | 590.32.006.400 | EINSTELLSCHIEBE 12,5X20X2,5 | ADJUST. SHIM 12,5X20X2,5 05 | 4 |
| 36* | 590.32.005.100 | KUPPLUNGSFEDER APTC 2004 | CLUTCH SPRING APTC 2004 | 4 |
| 37* | 590.32.007.100 | SICHERUNGSSCHRAUBE APTC 2004 | SAFETY SCREW APTC 2004 | 4 |
| 38* | 590.32.003.400 | DRUCKKAPPE APTC 2004 | PRESSURE CAP APTC 2004 | 1 |
| 39 | 546.37.098.200 | AXIALSCHEIBE AS1226 12X26X1 | AXIAL WASHER AS1226 12X26X1 | 2 |
| 40* | 590.32.002.450 | ÄUSSERE NABE APTC 2004 | OUTER CLUTCH APTC 2004 | 1 |
| 41* | 590.32.004.100 | MITNAHMEHÜLSE APTC 2004 | DRIVING SLEEVE APTC 2004 | 4 |
| 42* | 590.32.004.200 | ÖFFNER-FEDER F. APTC KUPPL. 04 | OPENING SPRING APTC 04 | 4 |
| 43* | 590.32.002.400 | INNERE NABE APTC 2004 | INNER HUB APTC 2004 | 1 |
| 49 | SXS.04.450.244 | KUPPLUNGSDECKEL INNEN KPL. 04 | INNER CLUTCH COVER CPL. 04 | 1 |
| 50 | SXS.04.450.036 | KUPPLUNGSDECKELDICHTUNG AUSSEN | GASKET FOR OUTER CLUTCH COVER | 1 |
| 51 | SXS.04.450.235 | KUPPLUNGSAUSSENDECKEL 04 | OUTER CLUTCH COVER 04 | 1 |
| 52 | 0984 060163 | ISK.SCHRAUBE DIN6912-M 6X16 | AH SCREW DIN6912-M 6X16 | 6 |

05-SXS.48.2

* NEUTEIL / NEW PART X NACH BEDARF / AS REQUIRED





KTM-Sportmotorcycle AG
A-5230 Mattighofen
www.ktm.at

KTM Group Partner



3208171



Art.Nr.: 3.208.171

11/2004

Foto: Mithenauer