

# 450 XC-F USA 2008

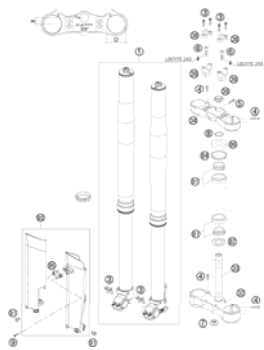
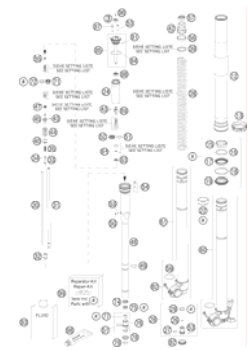
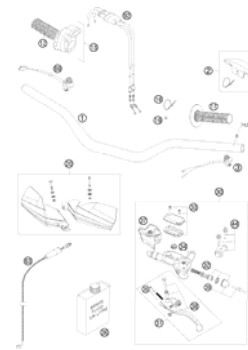
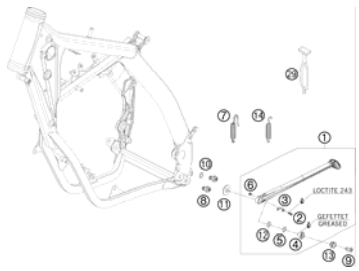

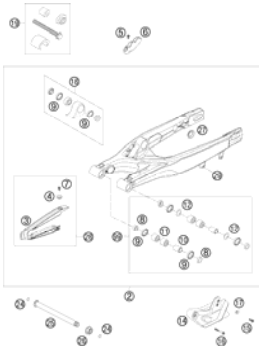
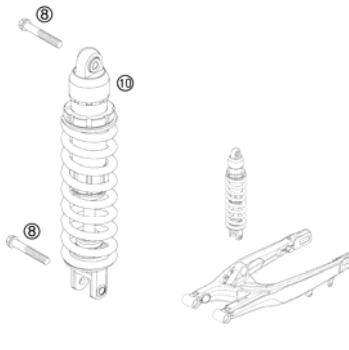
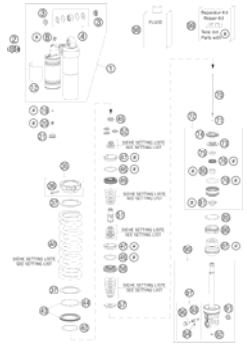
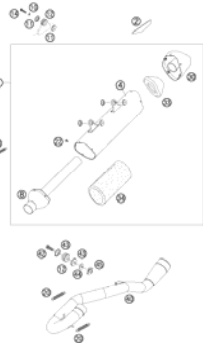
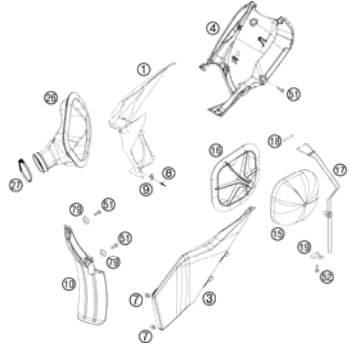
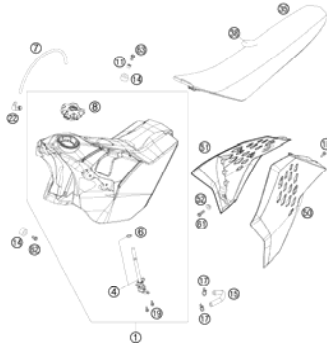
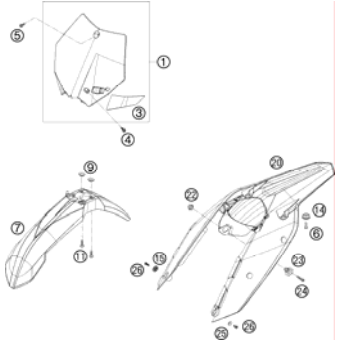
**SPARE PARTS MANUAL: CHASSIS**


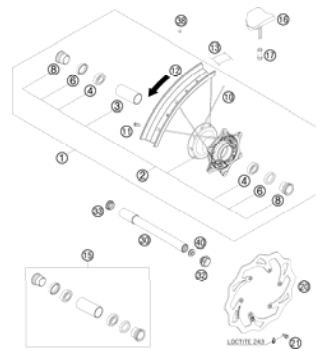
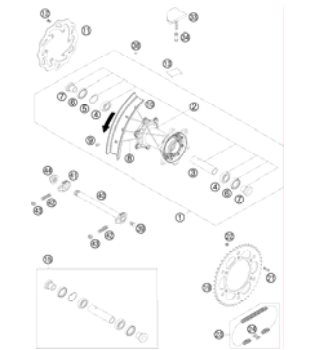
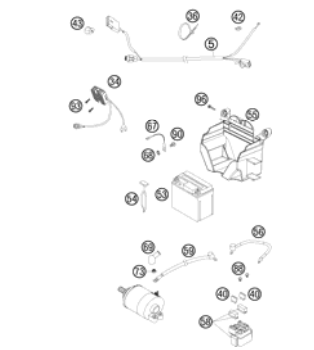
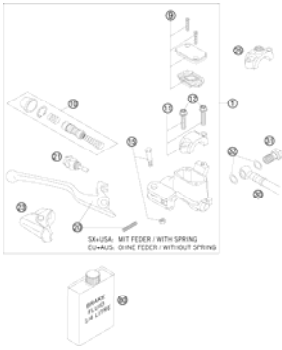
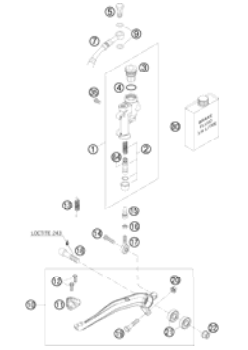
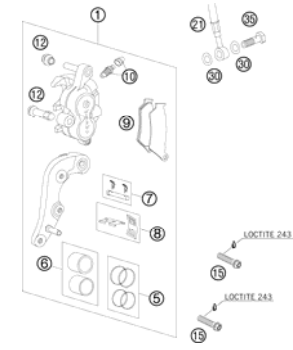
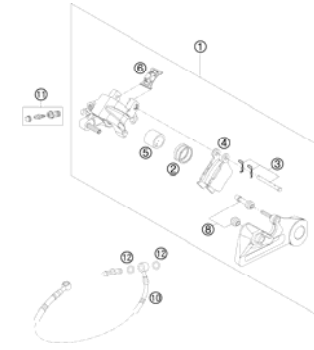
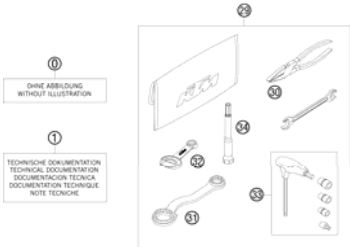
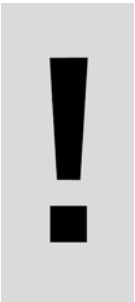
ART.NO.: 3CF8475H1EN

ENGLISH





<p><b>FRONT FORK, TRIPLE CLAMP</b></p>  <p><b>3</b></p>	<p><b>FRONT FORK DISASSEMBLED</b></p>  <p><b>4</b></p>	<p><b>HANDLEBAR, CONTROLS</b></p>  <p><b>7</b></p>	<p><b>SIDE / CENTER STAND</b></p>  <p><b>8</b></p>
<p><b>FRAME</b> 08</p>  <p><b>9</b></p>	<p><b>SWING ARM</b></p>  <p><b>10</b></p>	<p><b>MONOSHOCK</b></p>  <p><b>11</b></p>	<p><b>MONOSHOCK DISASSEMBLED</b></p>  <p><b>12</b></p>
<p><b>EXHAUST SYSTEM</b></p>  <p><b>14</b></p>	<p><b>AIR FILTER</b></p>  <p><b>15</b></p>	<p><b>TANK, SEAT, COVER</b></p>  <p><b>16</b></p>	<p><b>MASK, FENDERS</b></p>  <p><b>17</b></p>

<p><b>DECAL</b></p>  <p><b>18</b></p>	<p><b>FRONT WHEEL</b></p>  <p><b>19</b></p>	<p><b>REAR WHEEL</b></p>  <p><b>20</b></p>	<p><b>WIRING HARNESS</b></p>  <p><b>22</b></p>
<p><b>HAND BRAKE CYLINDER</b></p>  <p><b>23</b></p>	<p><b>REAR BRAKE CONTROL</b></p>  <p><b>24</b></p>	<p><b>BRAKE CALIPER FRONT</b></p>  <p><b>25</b></p>	<p><b>BRAKE CALIPER REAR</b></p>  <p><b>26</b></p>
<p><b>ACCESORIES KIT</b></p>  <p><b>27</b></p>	<div style="display: flex; align-items: center;">  <p>All information contained is without obligation. KTM-Sportmotorcycle AG particularly reserves the right to modify any equipment, technical specifications, prices, colors, shapes, materials, services, service work, constructions, equipment and the like so as to adapt them to local conditions or to cancel any of the above items, all without previous announcement and without giving reasons. KTM may stop manufacturing certain models without previous notice. KTM shall not be held liable for any deviations of availability and/or ability to deliver, illustrations, descriptions, printing and/or other errors. The illustrated models partly contain extra equipment, which is not applied to standard models.          © by KTM-SPORTMOTORCYCLE AG, Mattighofen AUSTRIA; All rights reserved; Reprint, also in extracts, with written allowance of KTM-SPORTMOTORCYCLE AG, Mattighofen only.</p> </div>		

# FRONT FORK, TRIPLE CLAMP

450 XC-F USA 2008

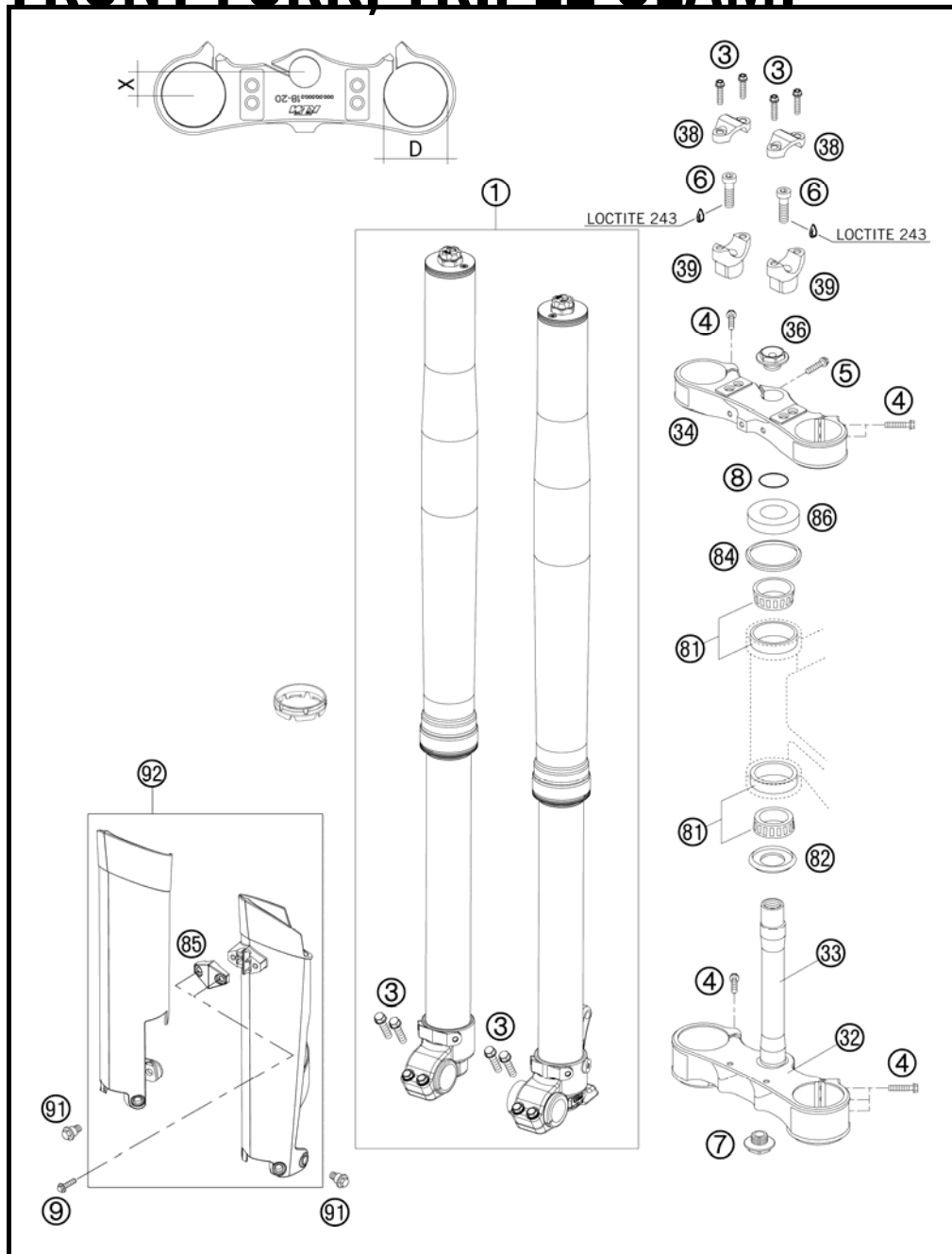


FIG	PART NUMBER	DESCRIPTION	QTY
1*	14187D29	FORK WP D=48 450/505XC+SD 08	1
3*	0025080256	HH COLLAR SCREW M8X25 TX40	8
4*	0025080356	HH COLLAR SCREW M8X35 TX40	10
5*	0025080256S	HH COLLAR SCREW M8X25 TX40	1
6	0912100356	AH SCREW DIN6912-M10X35 10.9	2
7	54801036100	STE.HEAD SCR. M20X1,5 WS=27 SL SELF-LOCKING	1
8	0770025035	O-RING 25X3,55 NBR70 05	1
9	0017060204	EJOT PT SCREW K60X20 ALU WS=6	2
32	59401031019	BOTTOM TRIPLE CLAMP D=60MM 05	1
33	59401033000	FORK TUBE L=237MM 05	1
34	59401034019	TOP TRIPLE CLAMP D=54MM 05	1
36	54801036000	STEER.HEAD SCREW M20X1,5 WS=27	1
38	59401038000	HANDLEBAR CLAMP 28MM 05	2
39	59401039032	HANDLEB.SUPP. D=28MM H=32MM 05	x
39	59401039037	HANDLEB.SUPP. D=28MM H=37MM 05	x
39	59401039042	HANDLEB.SUPP. D=28MM H=42MM 05	x
81	54201081100	TAPERED ROLLER BEARING CPL. 06	2
82	54601084100	O-RING SUPPORT W. SEALING LIP	1
84	54601184000	STEERING HEAD GASKET TOP	1
85*	7800108500030	CLAMP F.SPEED.CABLE D=6MM 08	1
86	54201086000	STEERING HEAD COVER	1
91	59001092050	SPECIAL SCREW M6X12,5 WS=8	6
92*	7800109400030	FORK PROT. L/S+R/S BLACK	1

085030110 / C087730111

\* NEW PART

X AS REQUIRED



# FRONT FORK DISASSEMBLED

450 XC-F USA 2008

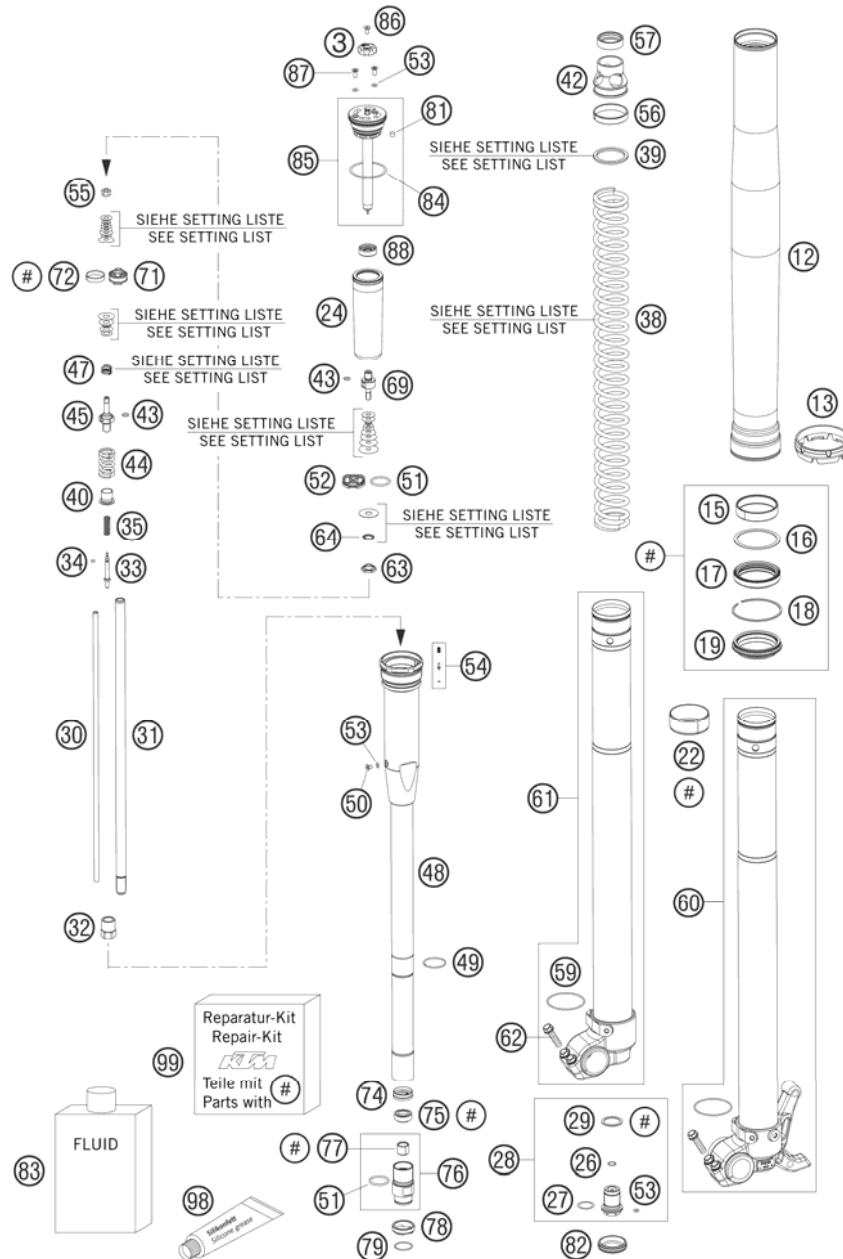


FIG	PART NUMBER	DESCRIPTION	QTY
3	48600569	SETTING KNOB	2
12*	48600693	OUTER TUBE L577 D54/60MM 2L BL	2
13*	48600698	FORK PROTECTION RING 08	2
15	48600429	DU-BUSH D48XD52X12DDL02	2
16	48600013	SUPPORT RING 50 X 57,6 X 1,5	2
17	48600347	OIL SEAL RING 48X57,8X9,5 03	2
18	48600070	LOCK WASHER SB58	2
19	48600400	DUST CAP D=48 58,4X11,8	2
22	48600428	DU-BUSH D47XD49X20DDL02	2
24	48600281	MEMBRANE	2
26	48600301	O-RING NBR 9,5X1,5	2
27	46810811	O-RING NBR 17X2 PA	2
28	48600280S	SCREW BUSH M20X1 L=33 CPL.	2
29	48600275	COPPER WASHER 20,5X26X1	2
30	48600269	ADJUSTING TUBE L=371	2
31	48600464	PISTON ROD SXS 2005	2
32	48600459	COUNTERNUT M12X1 WS17	2
33	48600277	ADJUSTER NEEDLE 07	2
34	48600298	O-RING 2X1,5 NBR	2
35	48600444	REBOUND SPRING C=4N/MM	2
38	91410027S	SPRING 4,4 N/MM SET D=5,1MM	x
38	91410028S	SPRING 4,6 N/MM SET D=5,1MM	x
38	91410029S	POLISHED SPRING 4,8 N/MM	x
38	91410030S	SPRING 5,0 N/MM	x
38	91410051S	POLISHED SPRING 4,2 N/MM2 CC	x
38	91410052S	POLISHED SPRING 4,4 N/MM2 CC	x
38*	91410059S	SPRING 4,0 N/MM SET	x
38	91410060S	SPRING 4,2 N/MM SET D=5,0MM	x
39	48600456	SPACER 43X35X2,5	x
39	48600457	SPACER 43X35X5	x
39	48600458	SPACER 43X35X1,5	x
40	48600525	GUIDING BUSH REBOUND SPRING	2
42	48600520	SPRING SUPPORT	2
43	48600299	O-RING 6X1,2 NBR	4
44	48600578	SPRING REB. L=32 C=37 DI=13,9	2
45	48600576	PISTON ROD REBOUND	2

087800132 / C087800132

\* NEW PART

X AS REQUIRED

# FRONT FORK DISASSEMBLED

450 XC-F USA 2008

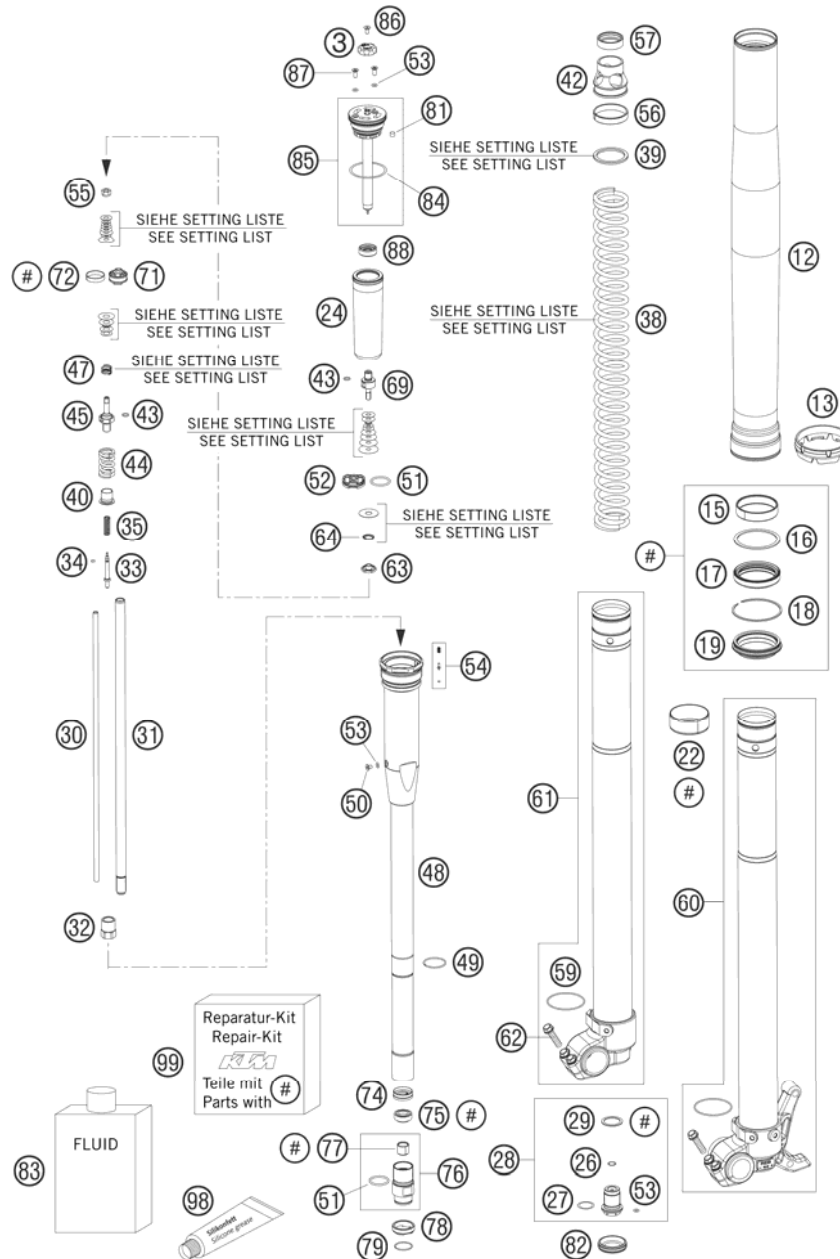


FIG	PART NUMBER	DESCRIPTION	QTY
47	35480377	SPRING CHECK VALVE D=0,5	2
47	48600382	SHUTTLE VALVE SPRING C=0,4	2
48*	48600519S3	MEMBRANE HOLDER	2
49	48600512	LOCK WASHER D=25,5	2
50	48600542	AH SCREW M4X6	2
51	46811499	O-RING NBR 21X2	4
52	48600047	PISTON COMPRESSION D=27,9	2
53	50180222	O-RING NBR 4X1,5	8
54	48600518S	PIN VALVE SET	2
55	40540486	NUT M6X0,5 REBOUND	2
56	48600294	GUIDE RING 44,2 X39,3	2
57	48600577	RING SPRING-SUPPORT	2
59	48600048	O-RING NBR 46 X 2	2
60*	48600690S1	AXLE CLAMP L/S + TUBE CPL. 08	1
61*	48600691S1	AXLE CLAMP R/S + TUBE CPL. 08	1
62*	0025080256	HH COLLAR SCREW M8X25 TX40	4
63	48600163	CHECK VALVE NUT M6X0,5 D=2	2
64	48600202	SPRING CHECK VALVE D=0,7	2
69	48600509	PISTON ROD COMPRESSION	2
71	48600575	PISTON REBOUND SX 2007	2
72	48600455	PISTON RING 5X1X68	2
74	48600296	RING D=23,45X2,65	2
75	48600471	PISTON ROD SEALING	2
76	48600546S	SCREW SLEEVE M24,5X1 CPL.	2
77	48600430	DU BUSH FOR PISTON ROD	2
78*	48600709	CHECK VALVE STOP	2
79	48600446	LOCK WASHER D=20	2
81	15080017	SILICON CAP	2
82*	48600692	RUBBER CAP D=26,4	2
83	48600401S1	FORK OIL SAE5 5L 2005	1
84	40140024	O-RING NBR 43X2	2
85	48600516S1	SCREW CAP CPL. L=125	2
86	48600527	AH SCREW M4X6	2
87	48600526	SCREW M4X10	4
88	48600514	MEMBRANE SLEEVE	2
98	T511	SILICONE GREASE F. DUST STRI	1

087800132 / C087800132

\* NEW PART

X AS REQUIRED

# FRONT FORK DISASSEMBLED

450 XC-F USA 2008

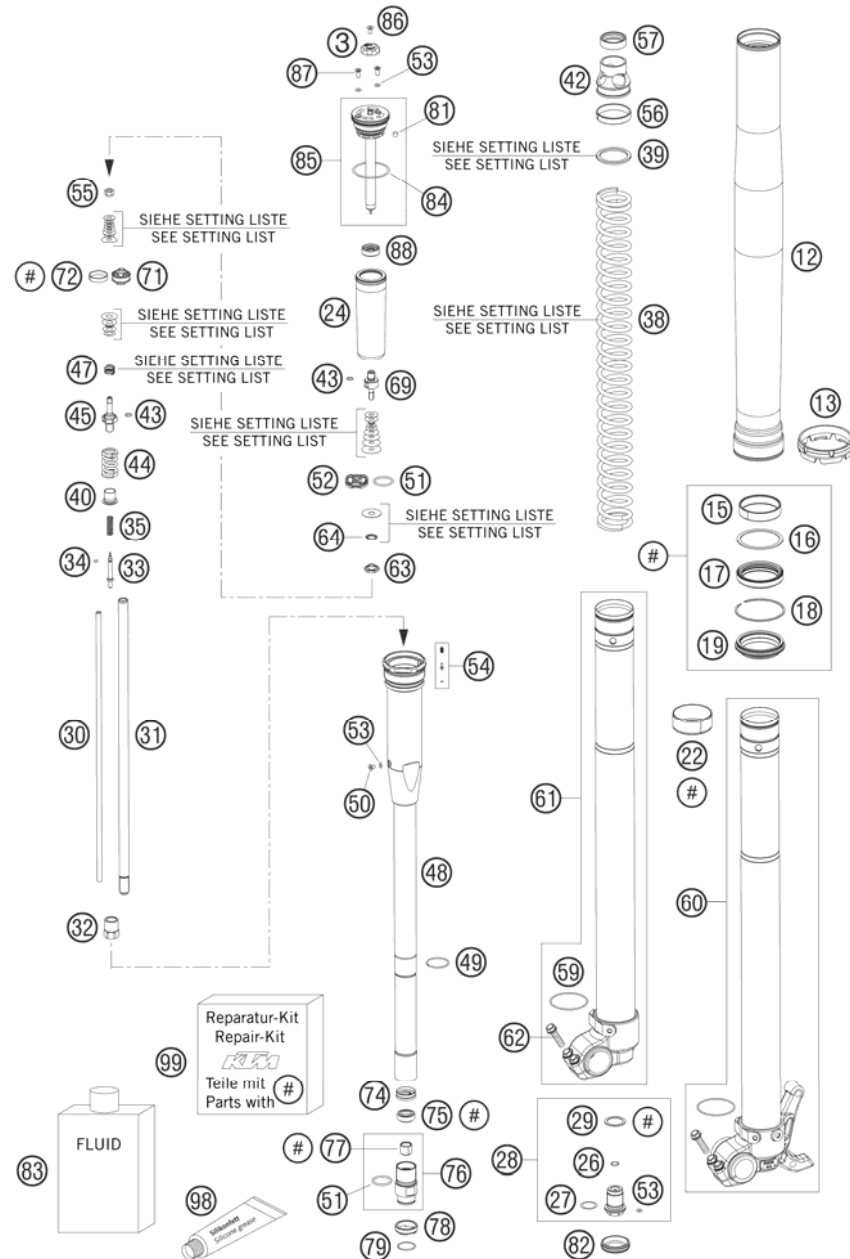


FIG	PART NUMBER	DESCRIPTION	QTY
99	R14014	REPAIR-KIT GASKET 48MM 0	1

087800132 / C087800132

\* NEW PART

X AS REQUIRED



# HANDLEBAR, CONTROLS

450 XC-F USA 2008

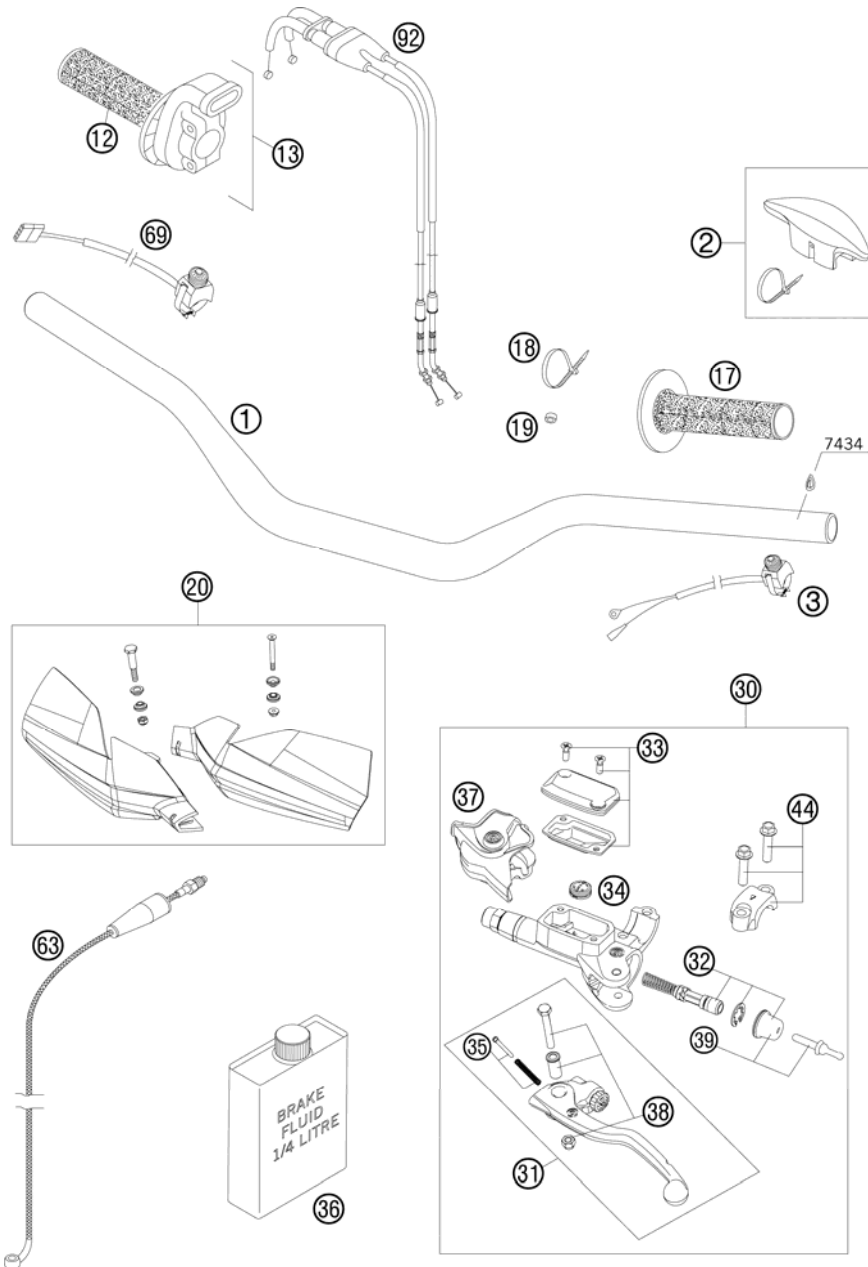


FIG	PART NUMBER	DESCRIPTION	QTY
1*	5480200130017	HANDLEBAR NEKEN D=28MM EXC 07	1
2	59002002000	HANDLEBAR PAD 05	x
3	50311089200	SHORT CIRCUIT BUTTON 02	1
12	54802013000	TWIST GRIP COVER RENTAL 04	1
13	59402010000	THROTTLE GRIP CPL. RACING 2004	1
17	54802039000	FIXED GRIP RENTAL 04	1
18	44011076100	CABLE TIE 100/2,5MM BLACK	x
18	44011076200	CABLE TIE 200/3,6MM BLACK	x
19	50301089000	SPACER BUSHING 6X10X5	1
20*	7700207900004	HAND GUARDS CPL.L/S+R/S OR. 06	1
30	54802030044	MASTER CYLINDER CPL. 06	1
31	54802031000	CLUTCH LEVER CPL. BREMBO 06	1
32	54802032000	REP. KIT PISTON 06	1
33	54802003000	COVER HYD. CLUTCH CPL.	1
34	54802051000	VALVE	1
35	54802052000	BOLT KPL.	1
36	00062030000	BRAKE FLUID DOT5.1 0,25L	1
37	54802037000	PROTECTION CAP 06	1
38	54802038100	LEVER SCREW CPL. 06	1
39	54802046000	PUSH ROAD CPL.	1
44	54802005100	CLAMP CPL. 06	1
63	54832063000	CLUTCH PIPE 06	1
69*	63011074000	STARTER BUTTON 06	1
92	77002091000	THROTTLE CABLE 250 SXF 2005	1

087800210 / C087730211

\* NEW PART

X AS REQUIRED

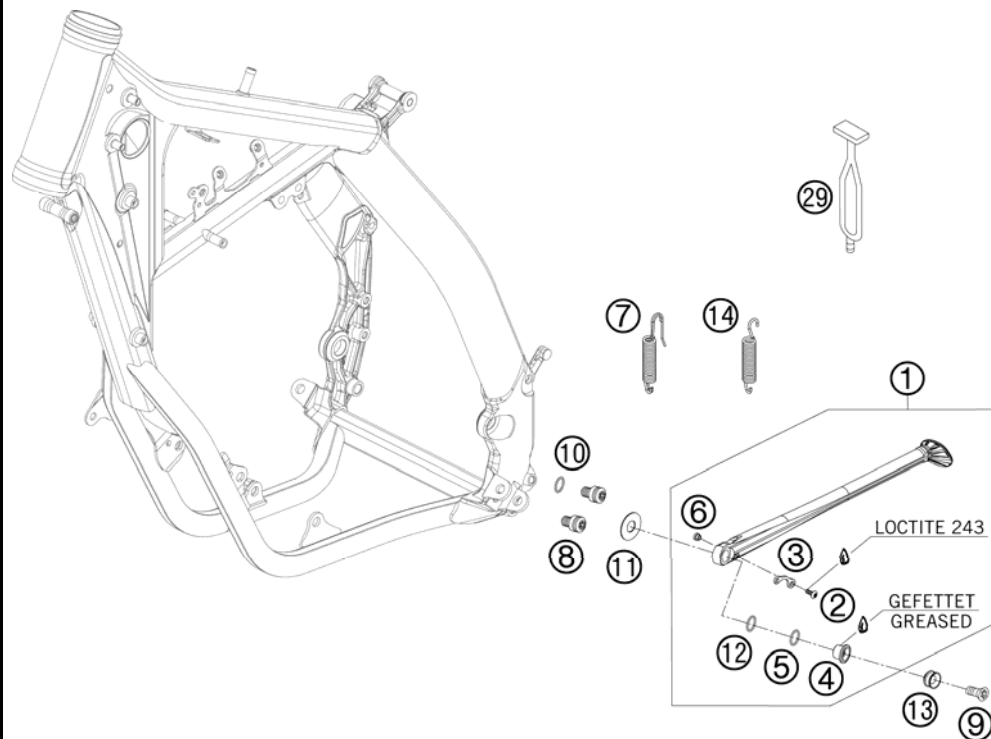


FIG	PART NUMBER	DESCRIPTION	QTY
1	78003023044	SIDE STAND CPL. 08	1
2	58605083014	SCREW M5X14 TORX 25 07	1
3	78003023090	SUPPORT SIDE STAND SPRING 08	1
4	78003023080	SIDE STAND BUSHING EXC USA 08	1
5	0770180020	O-RING 18,00X2,00 NBR 70	1
6	78003023070	SPACER BUSHING SPRING BRACKET	1
7	78003024000	SIDE STAND SPRING EXC 08 ONLY FOR EXC	1
8	78003023082	SIDE STAND STOP SCREW M10x30	2
9	0019080266S	COUNTER-SUNK SCREW ISA45 M8X26	1
9	0025080306	HH COLLAR SCREW M8X30 TX40 ONLY FOR EU	1
10	0770120020	O-RING 12,00X2,00 NBR 70	1
11	78003023083	WASHER F. SIDE STAND 12,2X29,5	1
12	0770125015	O-RING 12,5X1,5 NBR	1
13	78003023081	SIDE STAND BUSHING EXC-EU 08 ONLY FOR EU	1
14	78003024100	SIDE STAND SPRING 08 ONLY FOR XC	1
29	50303018000	RUBBER L=145MM	1

085230360 / C085230360

\* NEW PART

X AS REQUIRED

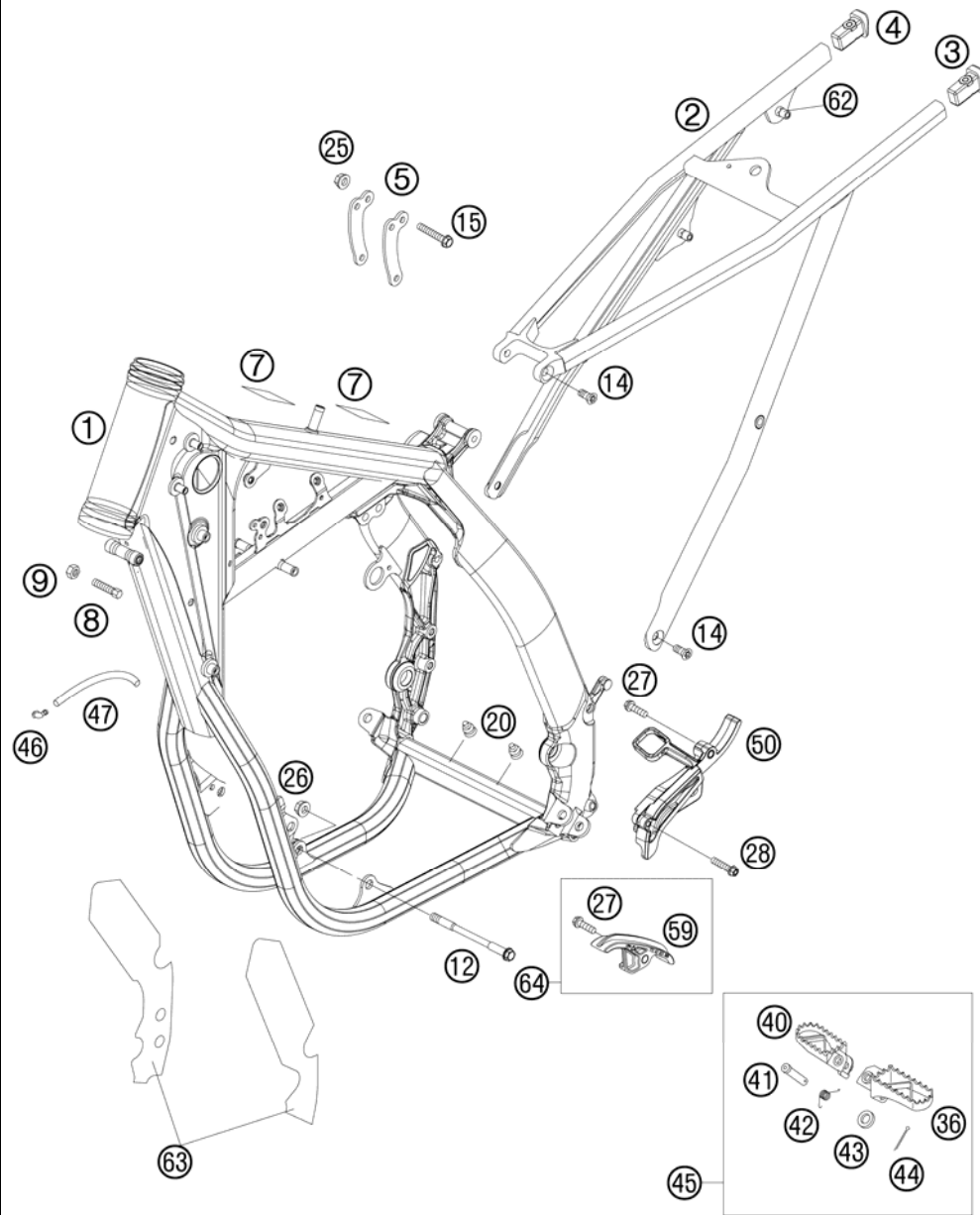


FIG	PART NUMBER	DESCRIPTION	QTY
1*	7730300110030	FRAME 450 XC-F "JB08" 08	1
2*	77303002000	SUB FRAME SX "Q7" 07	1
3*	78003002010	SUB FRAME APPLICATION LEFT 08	1
4*	78003002020	SUB FRAME APPLICATION RIGHT 08	1
5*	77303013000	ENGINE BRACE 450 SX-F 07	2
7	50307012000	ADH. FOIL TRANSP. 80X80 MM 04	2
8	59001037000	SPECIAL SCREW M8X26 WS=10	2
9	0934080003	HEXAGON NUT DIN0934-M 8	2
12*	59003013000	ENGINEBRAC.SCREW M10X123 WS=13	2
14*	0019080206S	FLAT HEAD SCREW M. ISA45 M8X20	4
15	56530079000	COLLAR SCREW M8X42 WS=13 10.9	3
20*	54403135000	PLASTIC CAP SFL10	2
25	54310086200	SELF LOCKING NUT M8 10.9	3
26	54310086100	SELF LOCKING NUT M10 CU WS=14	2
27*	0025080306	HH COLLAR SCREW M8X30 TX40	2
28*	0025060406	HH COLLAR SCREW M6X40 TX30	1
36	59003040250	FOOT PED L/S SILVER 02	1
40	59003041250	FOOT PED R/S SILVER 02	1
41	54803044000	BOLT FOR FOOT PED 03	2
42	54603041000	FOOTREST SPRING L/S & R/S	2
43	0125100003	WASHER DIN0125-A10,5	2
44	0094032253	PIN DIN0094-3,2X25 STEEL	2
45	5030314013390	FOOTREST L.+R. CPL. 03	1
46	50303089000	ANGEL PIECE '97	1
47	55007016001	PVC-HOSE 7X10 PER METER	x
50*	77303096000	CHAIN SPROCKET COVER	1
59*	77303053000	CHAIN SLIDING PIECE BELOW 07	1
62*	77303139000	BLIND RIVET NUT EM6-60LF/HX	4
63*	77303094000	FRAME PROTECTION STICK. SET 07	1
64*	77303053010	CHAIN SLIDING P. BELOW CPL. 07	1

087730311 / C087730311

\* NEW PART

X AS REQUIRED

# SWING ARM

450 XC-F USA 2008

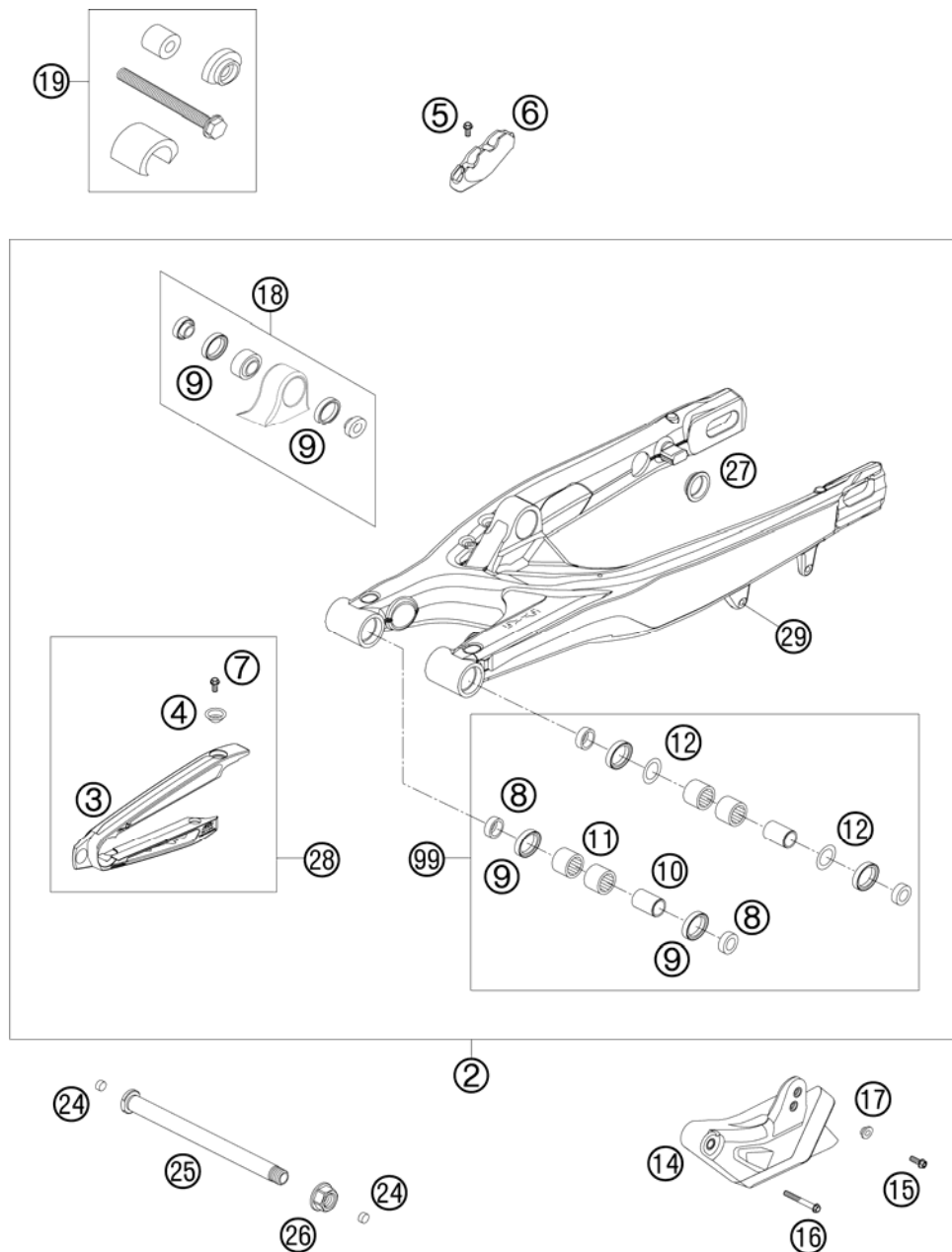


FIG	PART NUMBER	DESCRIPTION	QTY
2*	77304030044	SWINGARM CPL. 07	1
3*	77304066000	CHAIN SLIDING PROTECTION	1
4*	77304066050	BUSHING F. CHAIN SLIDING PR.07	2
5	0009050103	SPECIAL SCREW M 5,0X10	2
6*	77313047000	BRAKE HOSE GUIDE LOWER 07	1
7*	0025060106	HH COLLAR SCREW M6X10 TX30	2
8	54804034000	BUCKET F. SHAFT SEAL RING 03	4
9	0760253270	SHAFT SEAL RING 25X32X7	6
10	54804032000	BUSHING SLEEVE F. SWING ARM 03	2
11	58033097000	NEEDLE BEARING HK 2216	4
12	54603036000	STOP DISK 22,2X31,7X1	2
14*	77304070000	CHAIN GUIDE REAR CPL. 07	1
15*	0025060166	HH COLLAR SCREW M6X16 TX30	1
16*	0025060456	HH COLLAR SCREW M6X45 TX30	1
17*	77304070130	BUSH. F. CHAIN FAIL. PROT. 07	1
18	50304090044	PIVOT BEARING+BUSHES PDS '99	1
19	50329000044	TOOL BEARING MOUNTING PDS	1
24*	55009086000	PLUG SFL13	2
25	77304037000	SWINGARM BOLT M16X1,5 07	1
26	54804038000	SELF LOCK.NUT M16X1,5 WS=19 03	1
27	58404041100	CLOSING COVER ROUND 03	4
28	77304066010	CHAIN GUARD CPL. 06	1
29*	54603055051	PRESS IN NUT M6 STEEL ZINC	1
99*	54804230210	SWINGARM REPAIR KIT 05-07	x

085030490 / C085230490

\* NEW PART

X AS REQUIRED

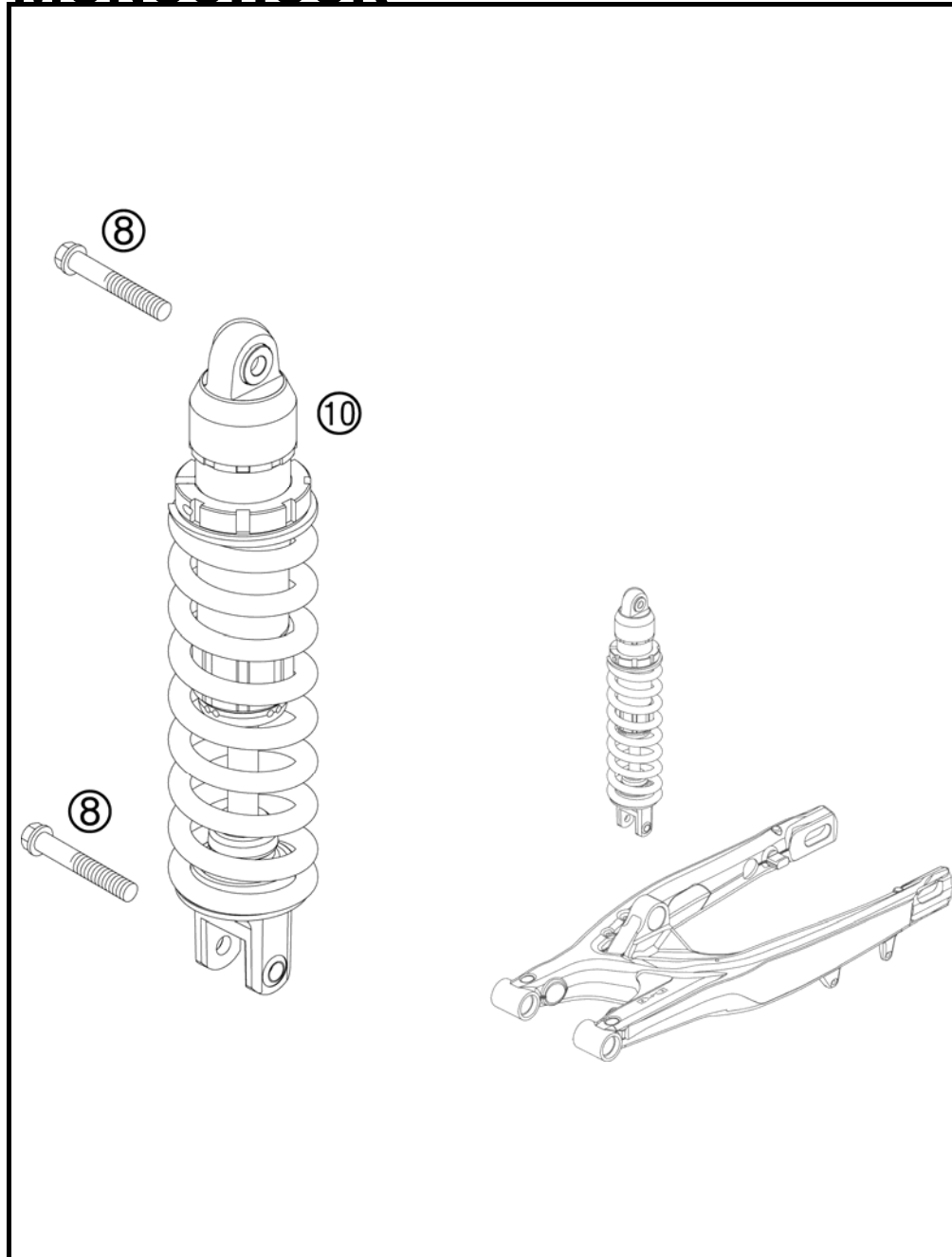


FIG	PART NUMBER	DESCRIPTION	QTY
8*	0025120506S	HH COLLAR SCREW M12X50 TX45	2
10*	12187D29	MONOSHOCK PDS 450/505 XC-F 08	1

085030410 / C087730411

\* NEW PART

X AS REQUIRED

# MONOSHOCK DISASSEMBLED

450 XC-F USA 2008

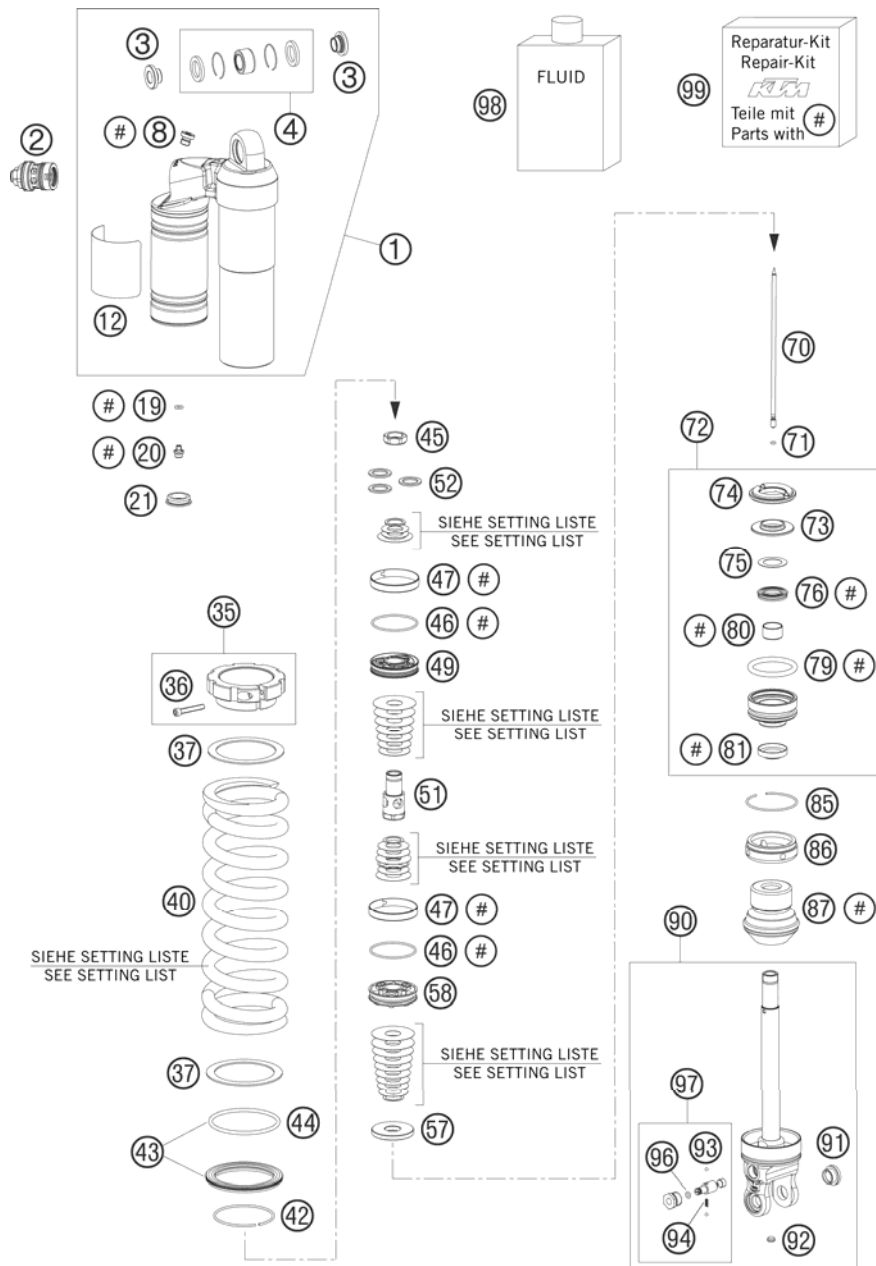


FIG	PART NUMBER	DESCRIPTION	QTY
1*	50180597S1	TOP PART CPL. M57,5X1 H30,5 08	1
2	50180213S10	DCC-COMPR.DAMP.CONTROL CPL. 07	1
3	46180007	ADAPTOR BUSH KGW 12X24	2
4	R12012	REP. KIT BEAR./SEAL UP. 07	1
8	50180095	BLEED PLUG R 1/8	1
12	52000041	WP CAUTION (PDS KTM) 58X83	1
19	46810893	O-RING NBR 5,28X1,78	1
20	36120151	SCREW PLUG M5X6	1
21	46811208	RUBBER CAP "DO NOT OPEN"	1
35*	50180520S	SPRING RETAINER M57,5X1 +SCREW	1
36	50180327	AH SCREW M5X30 DIN912	1
37	50180114	INTERM.RING SCREW SPRING RET.	2
40	91210053S	SPRING 250 63N/MM ORANGE	x
40	91210054S	SPRING 250 66N/MM ORANGE	x
40	91210055S	SPRING 250 60N/MM ORANGE	x
40*	91210068S	SPRING 250 69N/MM ORANGE	x
40*	91210069S	SPRING 250 72N/MM ORANGE	x
42	50180273	CIRCLIP 58,2X2	1
43	50180463S	SPRING RET. D=80 W. O-RING 05	1
44	50180352	O-RING VITON 66,27X3,53	1
45	50180141	PISTON ROD NUT M16X1	1
46	50180099	O-RING VITON 44,17X1,78	2
47	50180135	PISTON RING 50-8	2
49	50180446	PISTON 6+6X3,5/4,5	1
51*	50180601	HOLDER D=16 M16X1 L=44 08	1
52*	50180210	WASHER 16X21X1	1
57	50180516	REBOUND DISC D=34, H=5	1
58	50180311	PISTON 6+6X7/4,5 VB 1,0	1
70	50180513	NEEDLE L=171	1
71	46811265	O-RING VITON 2,2X1,6	1
72*	50180603S	ADAPTOR CPL. D=50 H=28 08	1
73	50180113	STEEL DISC 18X,5X43,7X6	1
74	50180107	REBOUND RUBBER	1
75*	50180604	SHIM D29,75 X D19 X T0,4 08	1
76*	50180605S	SEAL D18X30X5 08	1
79	50180103	O-RING 41X5	1

087800430 / C087800433

\* NEW PART

X AS REQUIRED

# MONOSHOCK DISASSEMBLED

450 XC-F USA 2008

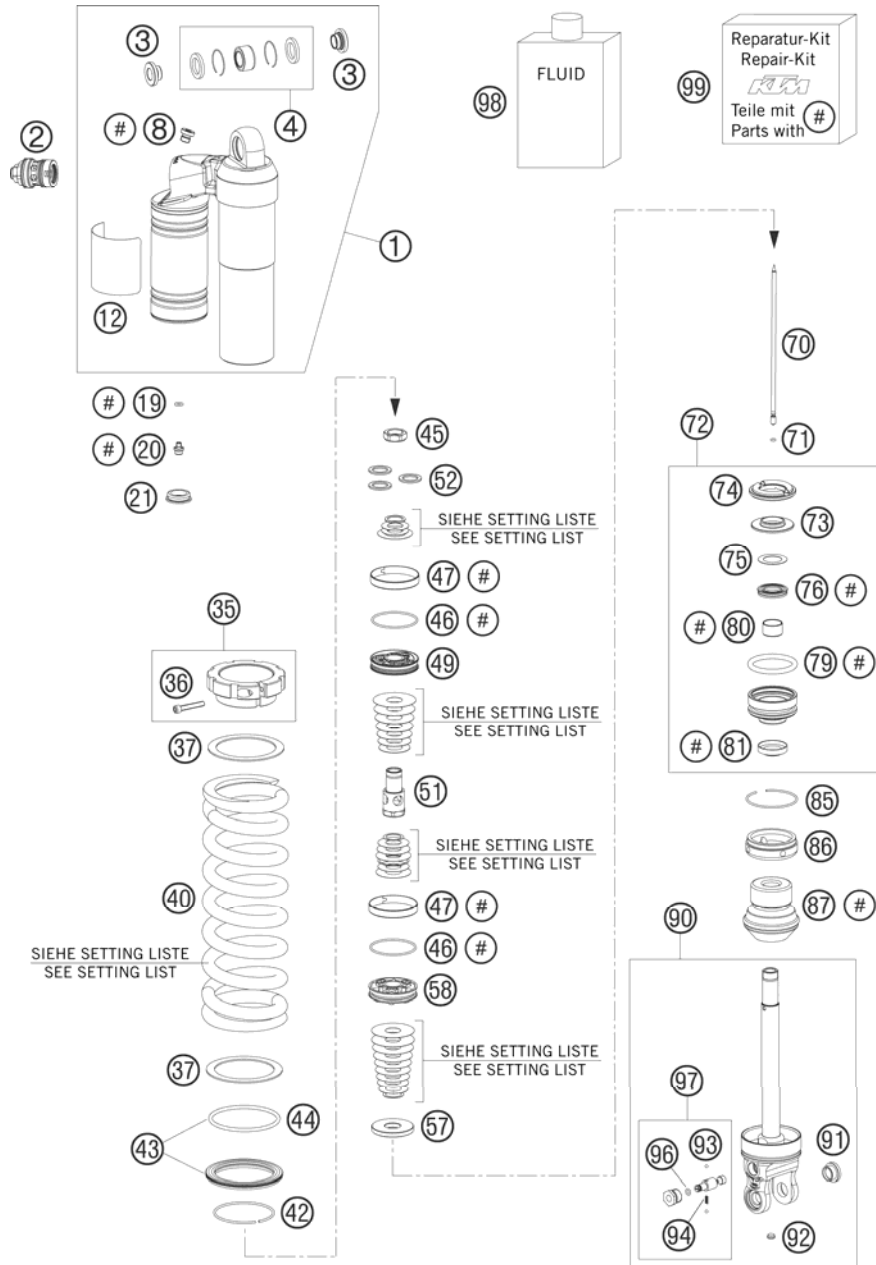


FIG	PART NUMBER	DESCRIPTION	QTY
80	46180119	DU-BUSH 18X20X12	1
81*	50180606	DUST SEAL 1828 08	1
85	50180126	CIRCLIP 53X1,75	1
86	50180511	COVER D=50 07	1
87	50180480	BUMP RUBBER D58 D17 H59 SXS 05	1
90	50180512S1	MONOSHOCK LOWER PART CPL. 07	1
91	50180105	THREADED BUSH M12 PDS	1
92	50180297	RUBBER PLUG D=8	1
93	40540603	STEEL BALL D=3MM	2
94	48600028	SPRING D=2,9 L=7,9	1
96	50180222	O-RING NBR 4X1,5	1
97	50180434S	ADJUSTING SCREW REBOUND TRAVEL	1
98	50180342S1	SHOCK ABSORBER FLUID 5 LT '03	1
99*	R12014	REPAIR KIT 5018 PDS 06	1

087800430 / C087800433

\* NEW PART

X AS REQUIRED

# EXHAUST SYSTEM

450 XC-F USA 2008

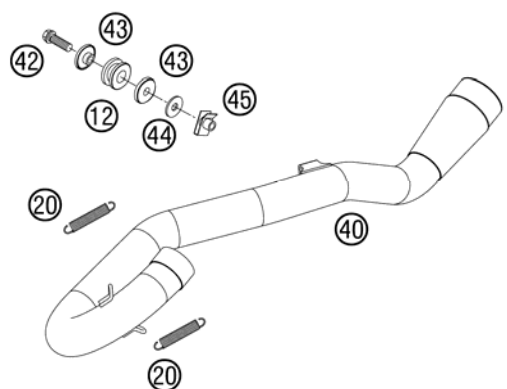
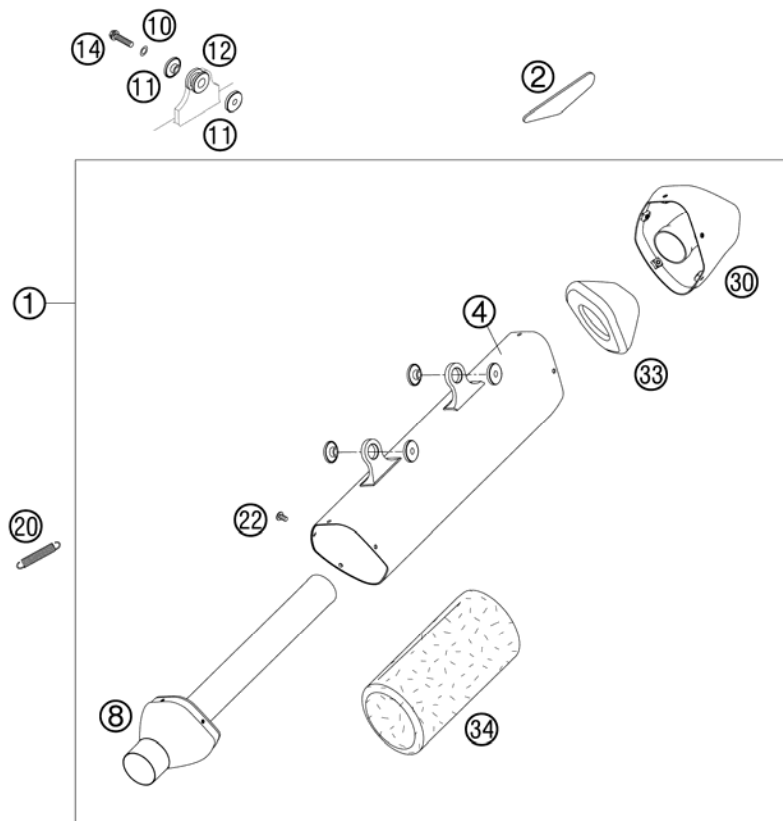


FIG	PART NUMBER	DESCRIPTION	QTY
1*	77305079000	EXHAUST SILENCER 450 SX-F 07	1
2*	77308013050	THERMAL PROTECTION FOIL 07	1
4*	77305079050	SILENCER HOUSING 450 SX-F 07	1
8*	77305079009	CONNECTING CAP CPL. 07	1
10	0137060003	SPRING WASHER DIN0137-B 6	2
11	77305069000	BUSHING 7.5x12x28x7.6 07	4
12	54605068000	EXHAUST BRACKET RUBBER BLACK	3
14*	0025060306	HH COLLAR SCREW M6X30 TX30	2
20	50305016000	TEN.SPRING L=62MM EY.MOVEABLE	3
22*	58605083010	SCREW TORX M5X10 05	10
30*	77305079006	ENDCAP 07	1
33*	58305083080	STUFFING YARN HGS 97	1
34*	59005078550	STUFF.YARN 550GRAMM L=550MM SX	1
40*	77305007100	EXHAUST MANIFOLD 450 SX-F 07	1
42*	0025080256	HH COLLAR SCREW M8X25 TX40	1
43*	59405069000	BUSHING FOR EXHAUST SUPPORT 03	1
44*	0021080003	WASHER DIN9021-A 8,4	1
45*	54603048000	RANGE CHANGE METAL NUT M8	1

087730511 / C087730511

\* NEW PART

X AS REQUIRED



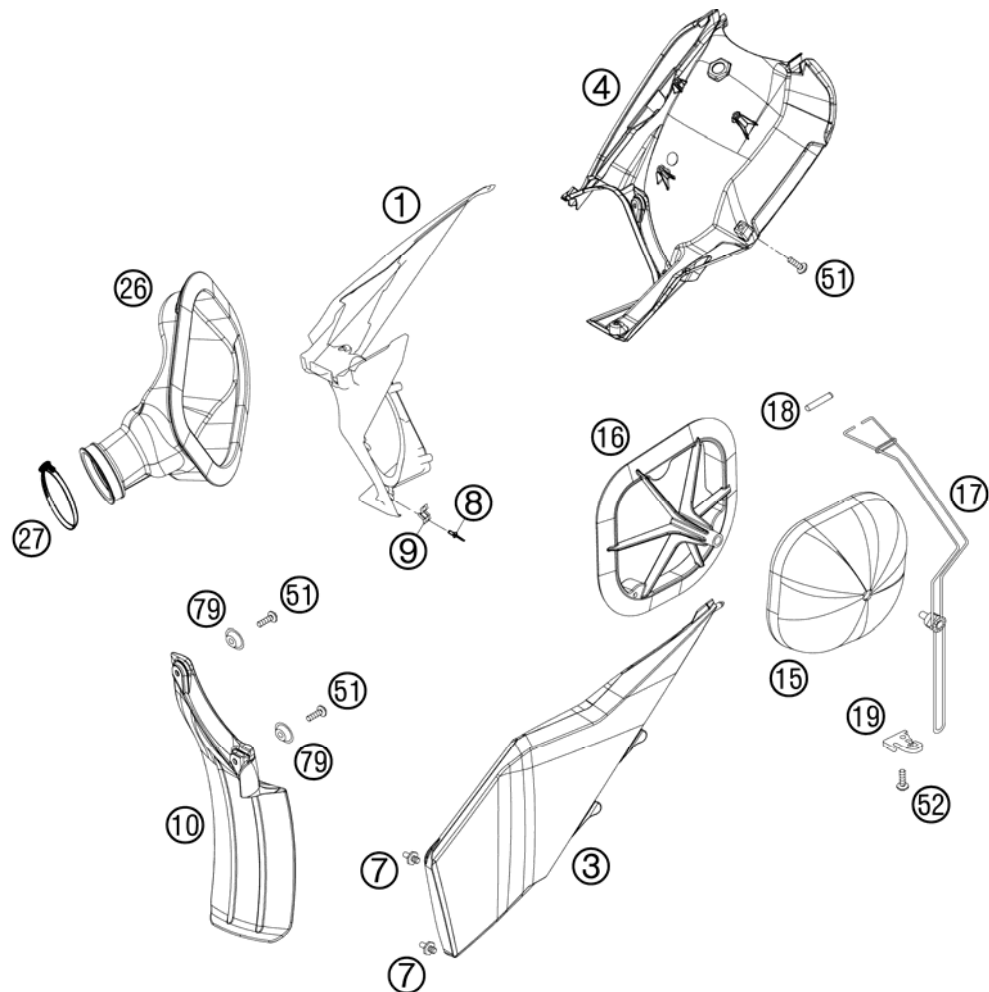


FIG	PART NUMBER	DESCRIPTION	QTY
1*	7730600101030	FILTER WALL SX BLACK 07	1
3*	7730600300030	FILTER BOX COVER SX BLACK 07	1
4	77306001020	REAR PART FILTER BOX 07	1
7	54806008051	QUICK RELEASE-NIPPLE 03	2
8	54806108052	BLIND RIVET 3,3X9,7 GROOVED 04	4
9	54806008050	QUICK RELEASE-SPRING HANGER	2
10	77306010000	FENDER FOR FILTER BOX	1
15	77306015000	AIR FILTER 07	1
16	77306016000	FILTER CARRIER 4S SX 07	1
17	77306017000	FILTER SUPPORT CPL. 07	1
18	77306018000	FILTER SUPPORT BUSH 07	1
19	77306019000	FASTEN. DEVICE FILTER S. SX 07	1
26*	77306026000	AIRFILTER BOOT 07	1
27	46005058000	HOSE CLAMP 40-60MM	1
51	0017060204	EJOT PT SCREW K60X20 ALU WS=6	x
52*	0017060203	EJOT PT SCREW K60X20 WS=6	1
79	77304066050	BUSHING F. CHAIN SLIDING PR.07	2

087800610 / C087730610

\* NEW PART

X AS REQUIRED

# TANK, SEAT, COVER

450 XC-F USA 2008

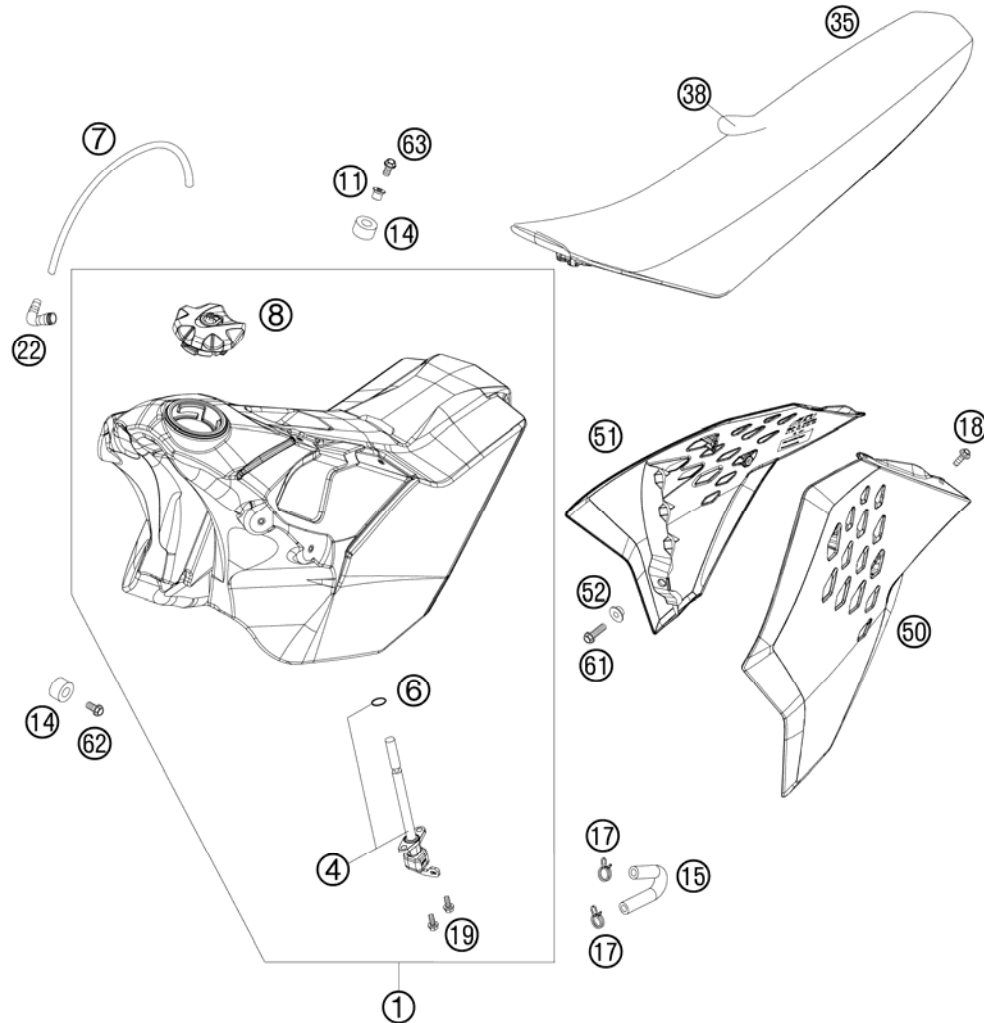


FIG	PART NUMBER	DESCRIPTION	QTY
1*	7800701306630	FUEL TANK CPL. 9,5L EXC-F 08	1
4*	78007004000	GAS COCK ON/OFF/RES 08	1
6	0770110021	O-RING 11X2 VITON	1
7*	78007000270	PVC-HOSE 5,6X10X270MM	1
8*	7800700804404	TANK PLUG CPL. XCF-W 08	1
11*	77307026000	TANK BUSHING 07	1
14	50307014000	TANK ROLLER 12X26X12 '98	3
15*	77307016000	FUEL PREFORMED HOSE 450 SX-F	1
17	58031005000	CLAMP YDNAC 10128 12MM	2
18	0017060204	EJOT PT SCREW K60X20 ALU WS=6	8
19	0017060203	EJOT PT SCREW K60X20 WS=6	2
22	51030022000	ANGLE PIECE 90 DEGREE M10X1	1
35*	77307040000	SEAT SX 07	1
38*	77307040050	SEAT COVER 07	1
50*	7730805000030C	SPOILER L/S BLACK XC 08	1
51*	7730805100030C	SPOILER R/S BLACK XC 08	1
52	50308052000	BUSH FOR SPOILER 6X11X16X5 MM	2
61*	0025060206	HH COLLAR SCREW M6X20 TX30	4
62*	0025060126	HH COLLAR SCREW M6X12 TX30	2
63*	0024060273	COLLAR SCREW M6X27 TX	1

087800711 / C087730710

\* NEW PART

X AS REQUIRED

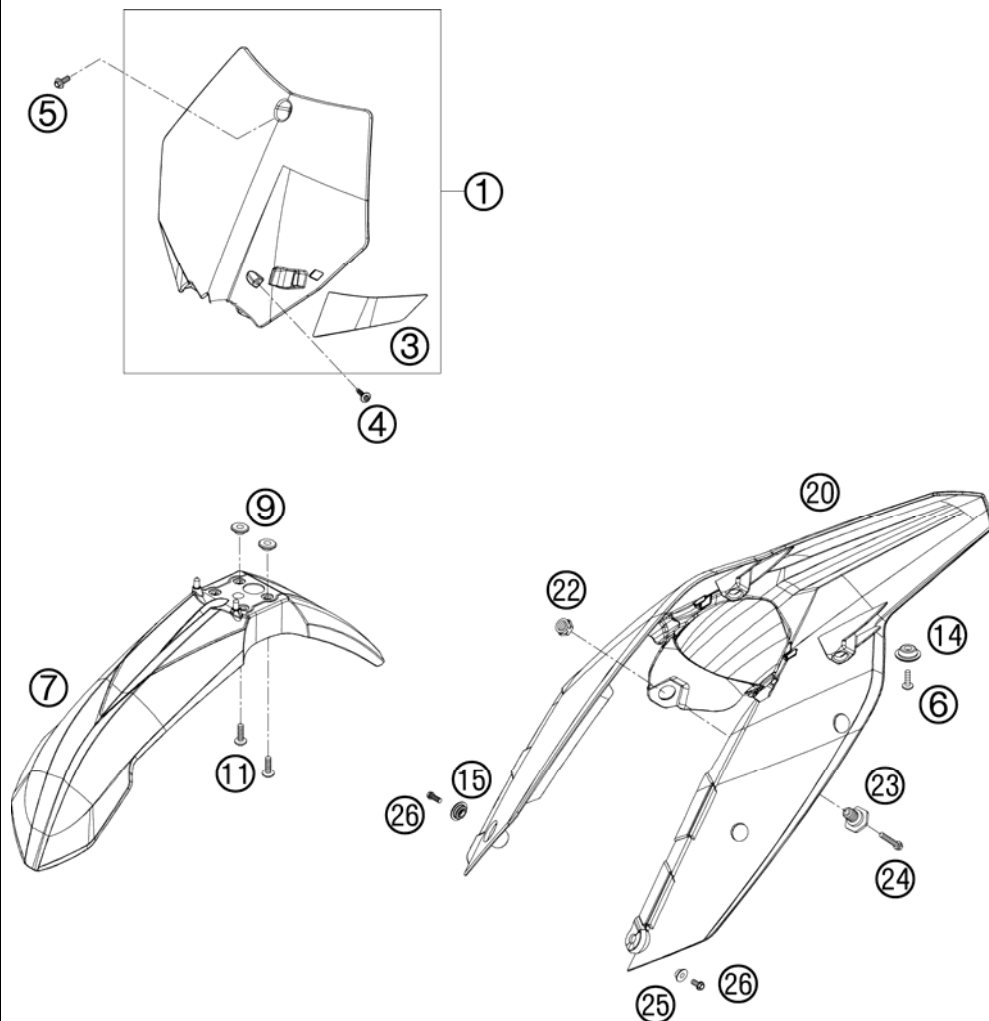


FIG	PART NUMBER	DESCRIPTION	QTY
1*	7730800704404	NUMBER PLATE CPL. ORANGE 07	1
3*	7730802200004	BRAKE HOSE GUIDE ORANGE 07	1
4	0017060203	EJOT PT SCREW K60X20 WS=6	1
5*	0024060106	HH COLLAR SCREW M6X10 TX30	1
6*	0025050166	HH COLLAR SCREW M5X16 TX30	2
7*	7730801000004	FRONT FENDER 07	1
9	54808020000	SPACER BUSHING 03	4
11*	0024060156	HH COLLAR SCREW M6X15 TX30	4
14*	77308013010	COLLAR BUSH. F.REAR FENDER 07	2
15*	77306001030	COLLAR BUSHING 4,5/12,6/23	1
20*	7730801300004	REAR FENDER SX ORANGE 07	1
22	50314057050	COLLAR NUT M12X1/WS17 H=5MM	1
23	54807048000	BUSHING FOR SEAT FASTENING 03	1
24*	0025060256	HH COLLAR SCREW M6X25 TX30	1
25	50308052000	BUSH FOR SPOILER 6X11X16X5 MM	1
26*	0025060206	HH COLLAR SCREW M6X20 TX30	4

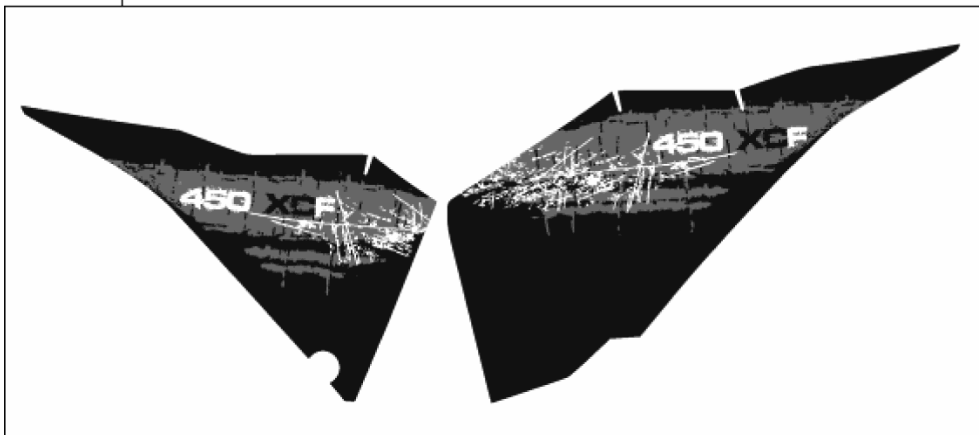
085230810 / C085230810

\* NEW PART

X AS REQUIRED

FIG	PART NUMBER	DESCRIPTION	QTY
2*	77308091000	DECAL	1

②



087730832 / C087730832

\* NEW PART

X AS REQUIRED

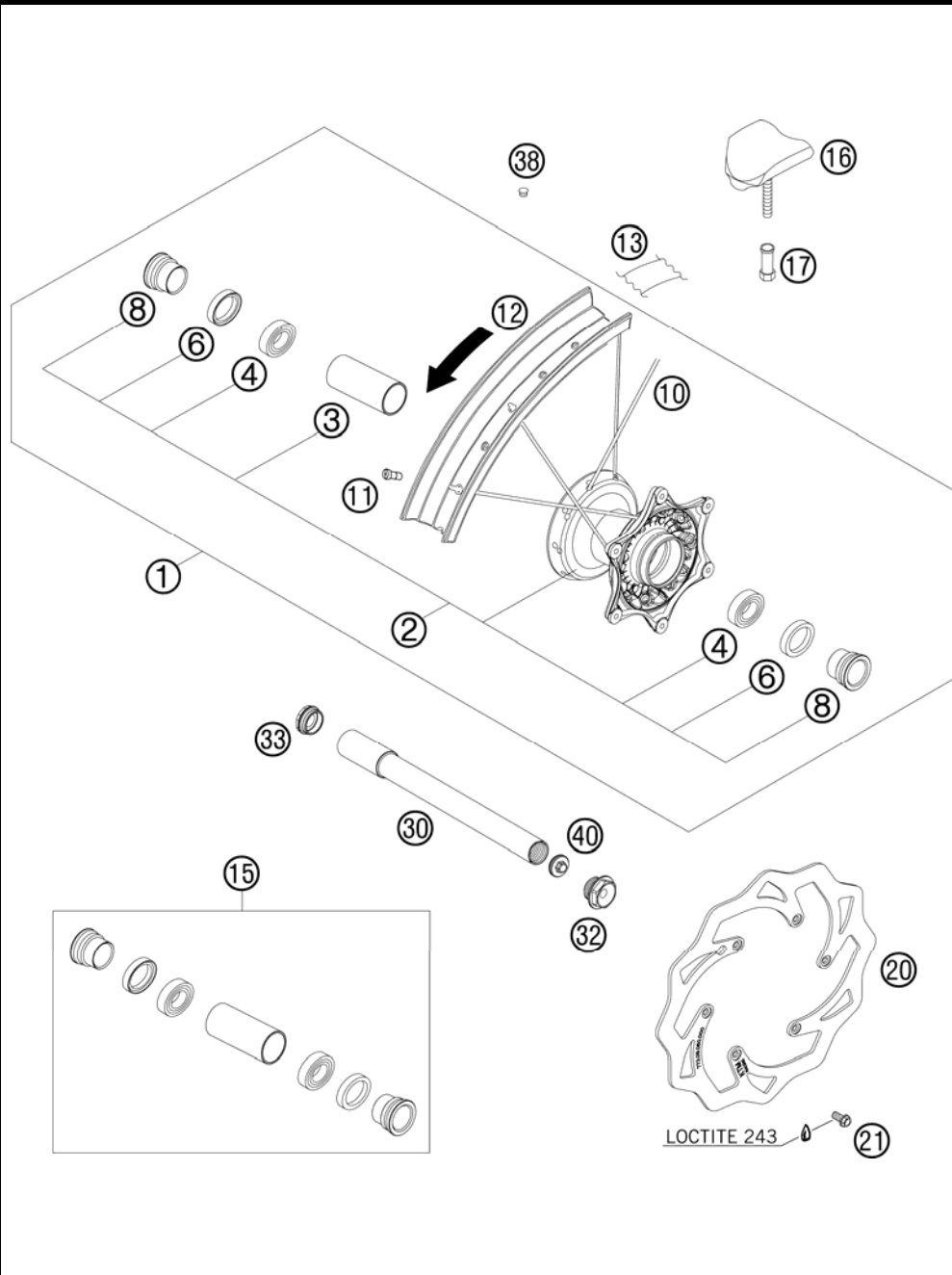


FIG	PART NUMBER	DESCRIPTION	QTY
1*	7800900104430	FRONT WHEEL.1,6X21"EXCEL 08	1
2*	78009010044	FRONT WHEEL HUB CPL. 08	1
3	54809011000	BEA.SPACERTUBE 35X2 L=79,4 03	1
4	0625069068	GR.BALL BEAR.6906 DDU2CG23S6NM	2
6	0760354771	SHAFT SEAL RING 35X47X7 TC	2
8*	78009012000	SPACER BUSHING F. FR. WHEEL 08	2
10*	78009074226	SPOKE M4,5X226-21" 08	36
11*	50309072100	SPOKE NIPPLE M4,5X0,75 8X21	36
12	5480907000030	FRONT RIM 1,6X21" EXCEL AL7	1
13	50309073000	RIM BAND 21"	1
15*	78009015000	FRONT WHEEL REP. KIT	x
16	51009100100	RIM LOCK VM1 (1,60")	1
17	50310090050	NUT FOR WHEEL HOLDER '96	1
20	77309060000	BRAKE DISC FRONT 260	1
21	59009062013	SPECIAL SCREW M6X13 WS=8 10.9	6
30	77309081000	WHEEL SPIN.FR. D=26 M24x1,5 07	1
32	54809082000	SPINDLE SCREW M24X1,5 WS=27 03	1
33	54809081050	PLUG BUSHING WS=27 03	1
38	55003135000	PLUG FOR RIM	x
40	54809081070	AUXILIARY SCREW FRONT 06	1

085230910 / C085230910

\* NEW PART

X AS REQUIRED

# REAR WHEEL

450 XC-F USA 2008

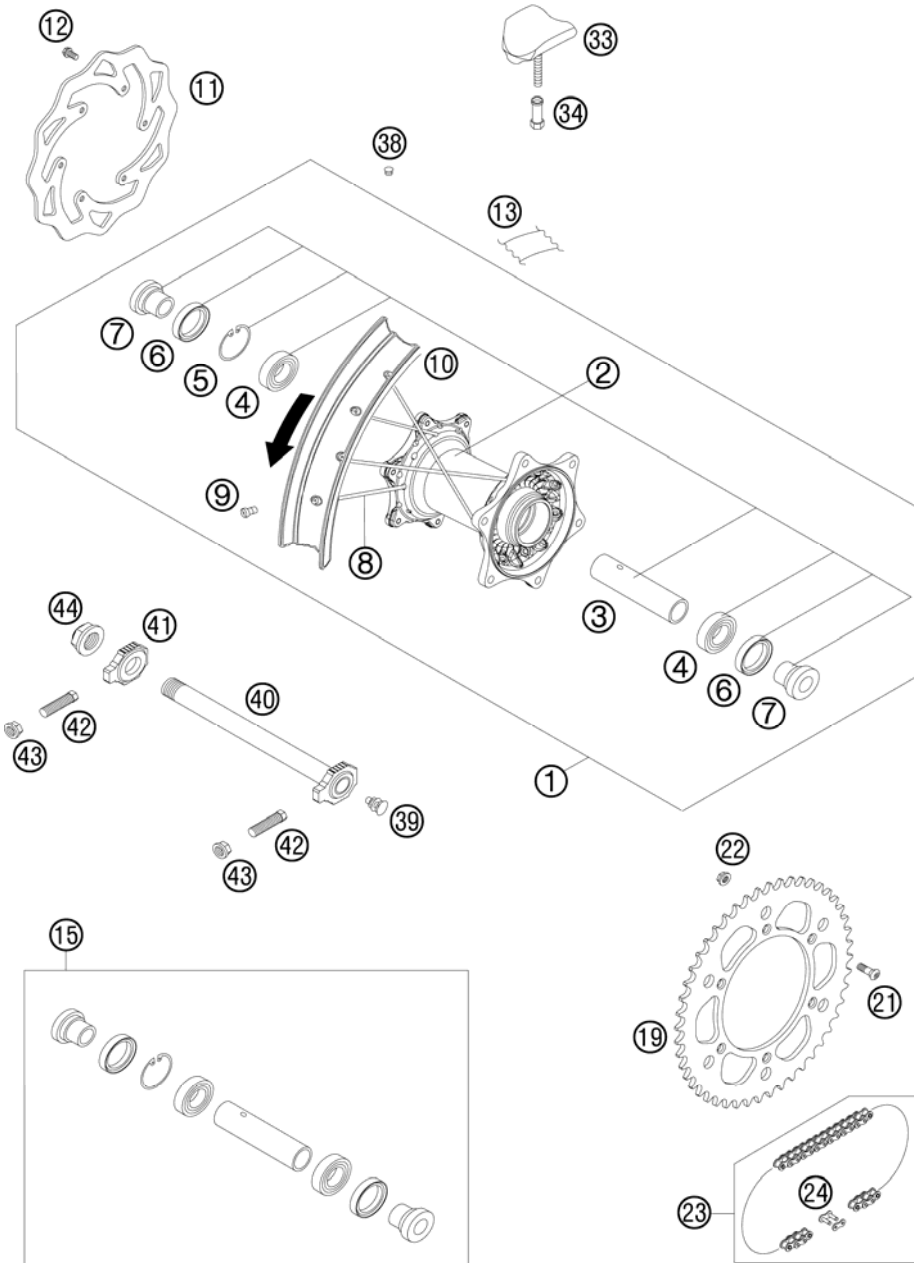


FIG	PART NUMBER	DESCRIPTION	QTY
1*	7801000104430	REAR WHEEL 2,15X18"EXCEL 08	1
2*	78010010044	REAR HUB CPL. 08	1
3	59010011000	BUSHING SPACER TUBE 121,5MM 01	1
4	0625060058	GR.BALL BEAR.6005 DDU2CG23S6NM	2
5	0472047175	CIRCLIP DIN0472-47X1,75	1
6	0760324771	SHAFT SEAL RING 32X47X7 BSL	2
7*	78010016000	BUSHING FOR HUB 08	2
8*	78010074193	SPOKE M5X193- 18" 08	36
9*	58309072100	SPOKE NIPPLE M5-TA 8X21MM	36
10	5481007000030	REAR RIM 2,15X18" EXCEL AL7	1
11	77310060000	BRAKE DISC REAR 220	1
12	59009062013	SPECIAL SCREW M6X13 WS=8 10.9	6
13	50310073200	RIM BAND 18" AND 19"	1
15*	78010015000	REAR WHEEL REP. KIT	x
19	58310051038	REAR SPROCKET 38-T	x
19	58310051042	REAR SPROCKET 42-T	x
19	58310151040	REAR SPROCKET 40-T	x
19	58310151045	REAR SPROCKET 45-T	x
19	58310151048	REAR SPROCKET 48-T	x
19	58310151049	REAR SPROCKET 49-T	x
19	58310151050	REAR SPROCKET 50-T	x
19	58310151051	REAR SPROCKET 51-T	x
19	58310151052	REAR SPROCKET 52-T	x
21*	0019080266S	COUNTER-SUNK SCREW ISA45 M8X26	6
22	54310086200	SELF LOCKING NUT M8 10.9	6
23	50310165118	CHAIN 5/8X1/4" MX	1
23	50310800118	CHAIN Z-RING 5/8X1/4"	1
24	50310166000	CONNECTING LINK F. 50310165118	1
24	50310366000	CONNECTING LINK F. 50310800118	1
24	50310866000	MASTER LINK FOR 50310800118	1
33	54010100100	RIM LOCK VM3 (2.15")	2
34	50310090050	NUT FOR WHEEL HOLDER '96	2
38	55003135000	PLUG FOR RIM	x
39	50210086000	COVERING CAP SFL16	x
40	77310085044	WHEEL SPINDLE RE. CPL.265MM 07	1
41	50310084000	CHAIN TENSIONER R/S 2000	1

085481010 / C087731010

\* NEW PART

X AS REQUIRED

# REAR WHEEL

450 XC-F USA 2008

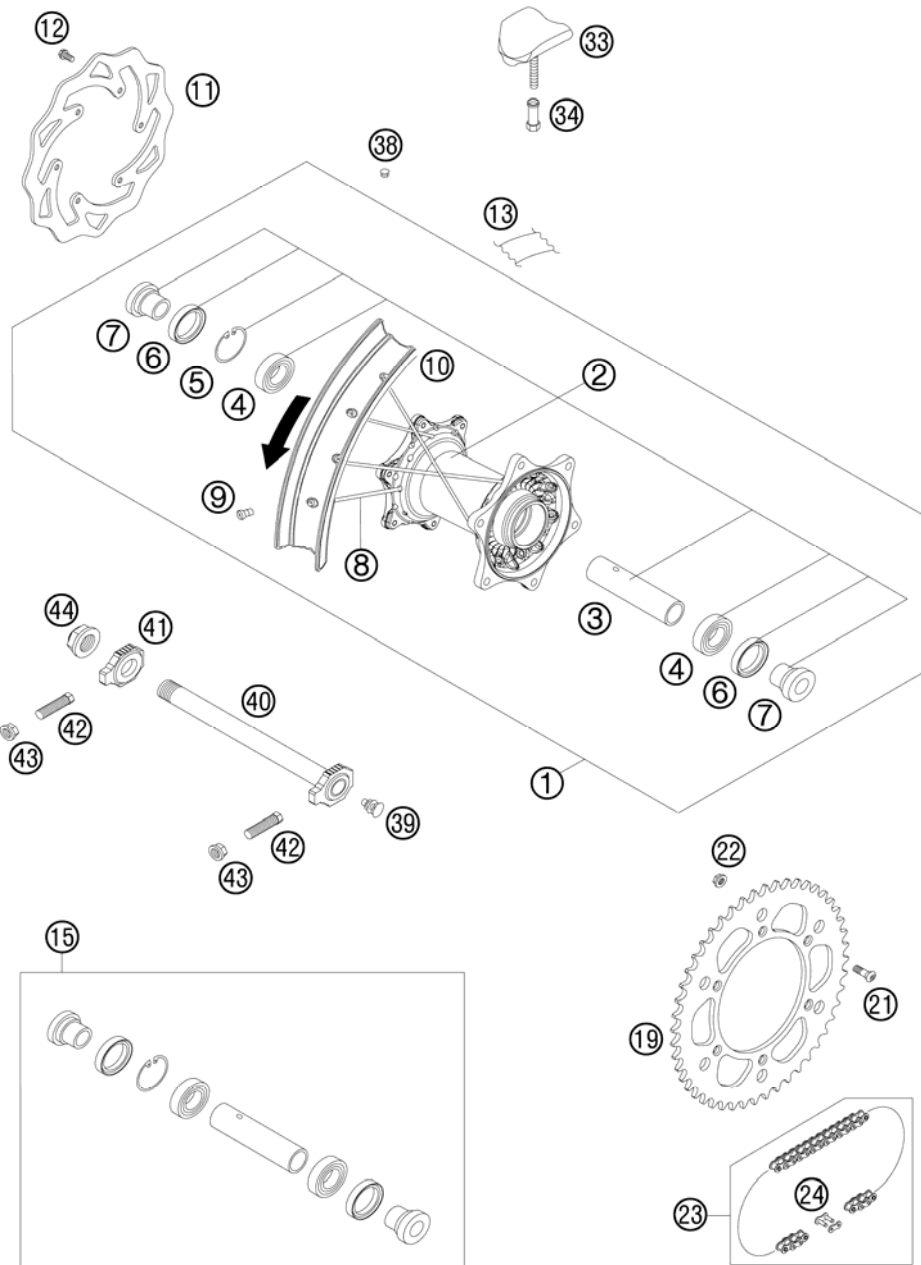


FIG	PART NUMBER	DESCRIPTION	QTY
42	50304040100	SCREW M10X1,25X50 WS=10	2
43	58414030000	HH COLLAR NUT M10X1,25 WS=13	2
44	50310099000	HEXAGON NUT M20X1,5 '98	1

085481010 / C087731010

\* NEW PART

X AS REQUIRED

# WIRING HARNESS

450 XC-F USA 2008

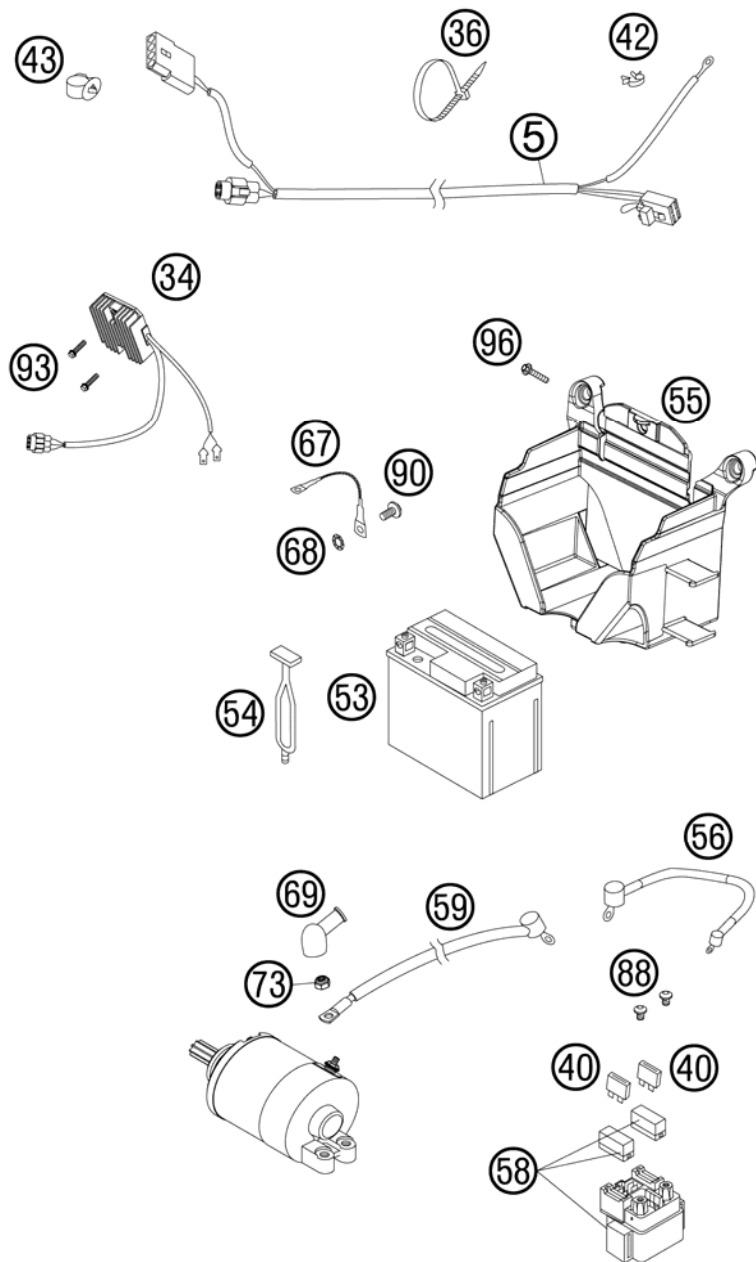


FIG	PART NUMBER	DESCRIPTION	QTY
5*	77311075000	MAIN WIRING HARNESS 450 SX-F	1
34*	77311034000	VOLTAGE REGULATOR "RS 2759 "06	1
36	44011076200	CABLE TIE 200/3,6MM BLACK	x
36	44011076305	CABLE TIE 300/4,8MM BLACK	x
40	58011109110	FUSE 10 A 2000	2
42	57013072100	WIRING HOLDER 16MM	x
43	58111076000	CABLE SUPPORT KHS NR.150-47610	2
53	58511053000	BATTERY 12V 4(5)AH TX5L-BS	1
54	50303018000	RUBBER L=145MM	2
55*	78011055000	BATTERY CASING	1
56	58711086000	WIRING HARNESS BATTERY DUKE'99	1
58	58211058000	STARTER RELAY 12V '99	1
59	58411059100	STARTER CABLE 700 MM '97	1
67	58411097100	GROUND CABLE D=6MM L=140MM '97	1
68	58411098100	CONTACT WASHER M6 VSV-K6	1
69	58440099000	PROTECTION CAP F. STARTER ENG.	1
73	0985060003	SELF LOCK. NUT DIN0985-M 6	1
88	0902060083	AH OVAL SCREW ISO 7380 M 6X8	2
90*	0024060106	HH COLLAR SCREW M6X10 TX30	1
93*	0025060206	HH COLLAR SCREW M6X20 TX30	2
96	0017060203	EJOT PT SCREW K60X20 WS=6	3

087731110 / C087731110

\* NEW PART

X AS REQUIRED



# HAND BRAKE CYLINDER

450 XC-F USA 2008

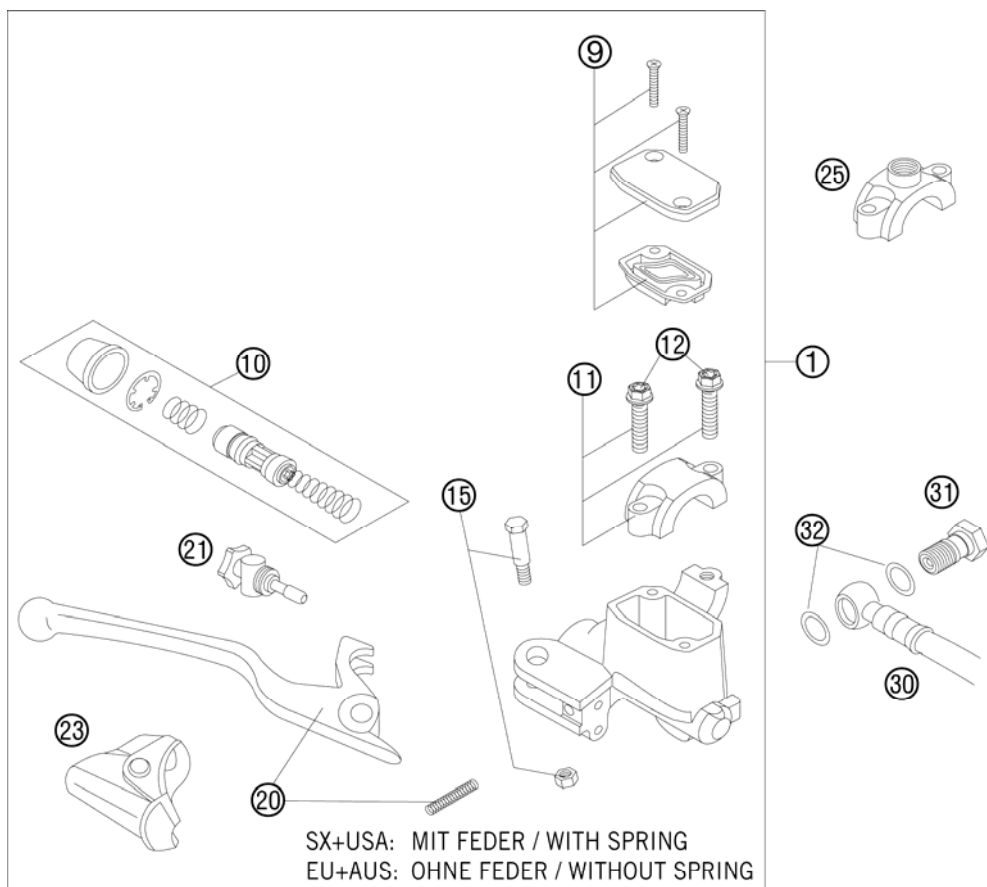


FIG	PART NUMBER	DESCRIPTION	QTY
1	54813001200	HAND BRAKE CYLINDER CPL. SX 06	1
9	50313003000	HANDBRAKE CYL. COVER CPL. NATURE	1
10	54813008200	REP. SET PISTON D=10MM 2006	1
11	50313005000	CLAMP CPL. NATURE	1
12*	0025060256	HH COLLAR SCREW M6X25 TX30	2
15	50313006100	LEVER SCREW CPL. 2001	1
20	54813002100	HAND BRAKE LEVER + SPRING 2006	1
21	54813007200	ADJUSTING SCREW CPL. EXC 2006	1
23	50313004000	PROTECTION CAP HAND BRAKE CYL.	1
25	58012040150	CLAMP FOR MIRROR '94	x
30	59013011000	BRAKEHO. FRONT 1300MM 2000	1
31	50213025000	HOLLOW SCREW M10X1X19	1
32	0603100141	COPPER GASKET DIN7603-10X14X1	2
80	00062030000	BRAKE FLUID DOT5.1 0,25L	1

085481300 / C085231310

\* NEW PART

X AS REQUIRED

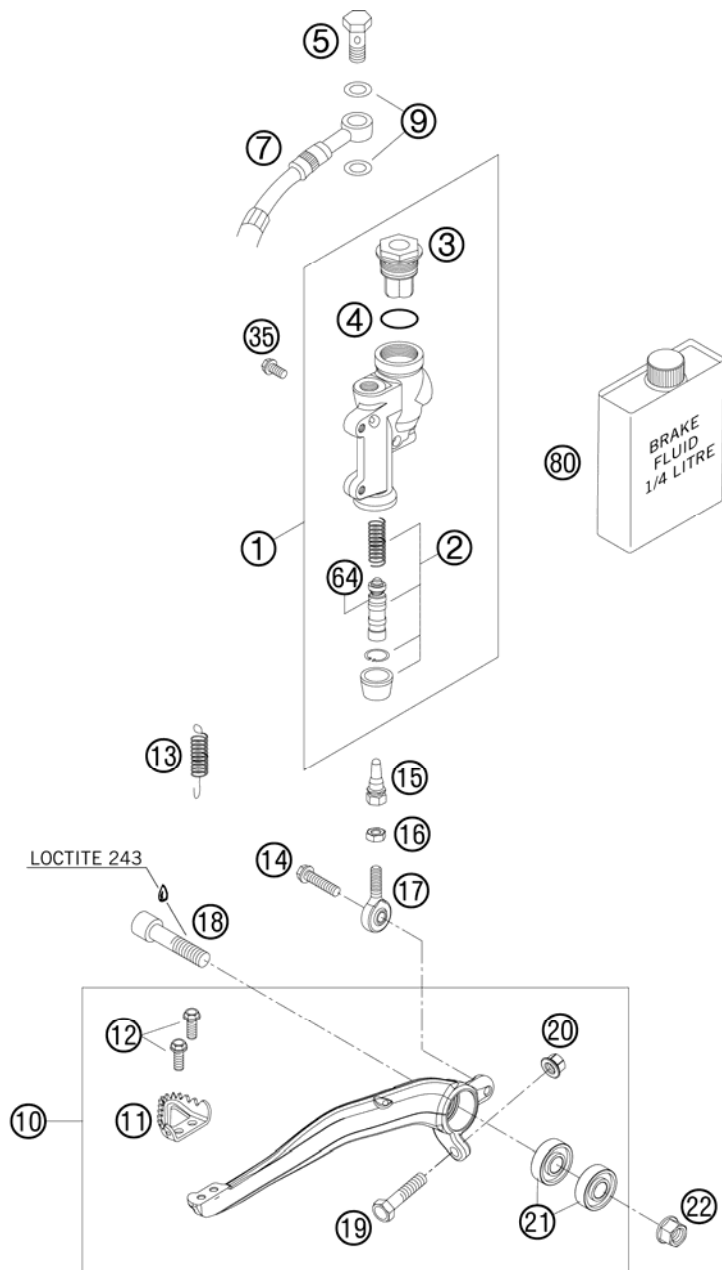


FIG	PART NUMBER	DESCRIPTION	QTY
1	54813060100	REAR BRAKE CYLINDER CPL. 2004	1
2	54813061200	REPAIR KIT PISTON 13MM 06	1
3	54813062100	REAR BRAKE CYL. COVER CPL. 04	1
4	54813063000	FOOT-BRAKE CYL. GASKET SX 03	1
5	54813020100	HOLLOW SCREW BLACK M10X19	1
7	54813070000	BRAKE HOSE REAR 655MM 03	1
9	0603100141	COPPER GASKET DIN7603-10X14X1	2
10*	77313050044	FOOT BRAKE LEVER CPL. 07	1
11	54813051000	STEP PLATE FOR BRAKE LEVER	1
12*	0025050126	HH COLLAR SCREW M5x12 TX30	2
13	54603062000	RETURN SPRING FOR BRAKE LEVER	1
14*	0025060206	HH COLLAR SCREW M6X20 TX30	1
15	54813056000	PUSH ROD L=28MM 03	1
16	0934060003	HEXAGON NUT DIN0934-M 6	1
17	54813055000	SWIVEL HEAD KA6 03	1
18	0912100406	AH SCREW DIN6912 M10X40 10.9	1
19	59001037000	SPECIAL SCREW M8X26 WS=10	1
20	46030045000	COLLAR NUT M8 WS=10	1
21	0625060002	BALL BEARING SKF 6000-2RS1	2
22	54630044000	COLLAR NUT M10 WS=13	1
35*	0025060126	HH COLLAR SCREW M6X12 TX30	2
64	54813064200	BELLOWS FOR REPAIR KIT 06	1
80	00062030000	BRAKE FLUID DOT5.1 0,25L	1

085031330 / C085231330

\* NEW PART

X AS REQUIRED

# BRAKE CALIPER FRONT

450 XC-F USA 2008

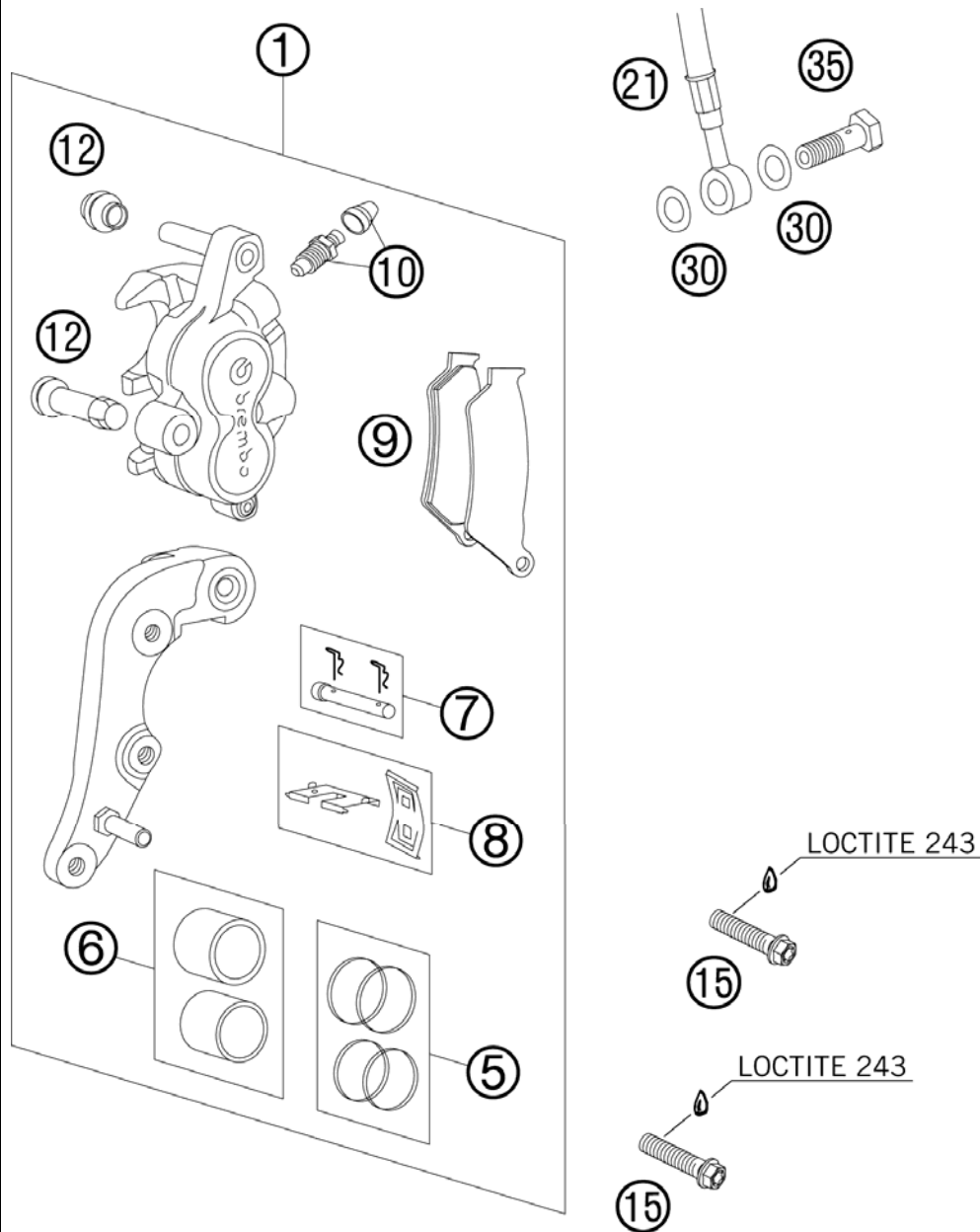


FIG	PART NUMBER	DESCRIPTION	QTY
1	59013015144	BRAKECALIPER FRONT BREMBO 2000	1
5	54613205000	REPAIR KIT 28MM	1
6	54613206000	REPAIR KIT PISTON 28MM	1
7	54613210100	BOLT CPL. 6X56	1
8	54613212000	RETAINING PLATE SET BREMBO	1
9	50313030200	BRAKEP.SET FR.TOSHIBA TT2701HH	1
10	60013020000	BLEEDER SCREW WITH CAP	1
12	54613218000	CUP SET SHORT	1
15*	0025080356S	HH COLLAR SCREW M8X35 TX40	2
21	59013011000	BRAKEHO. FRONT 1300MM 2000	1
30	0603100141	COPPER GASKET DIN7603-10X14X1	2
35	50213025000	HOLLOW SCREW M10X1X19	1

085031360 / C085231360

\* NEW PART

X AS REQUIRED

# BRAKE CALIPER REAR

450 XC-F USA 2008

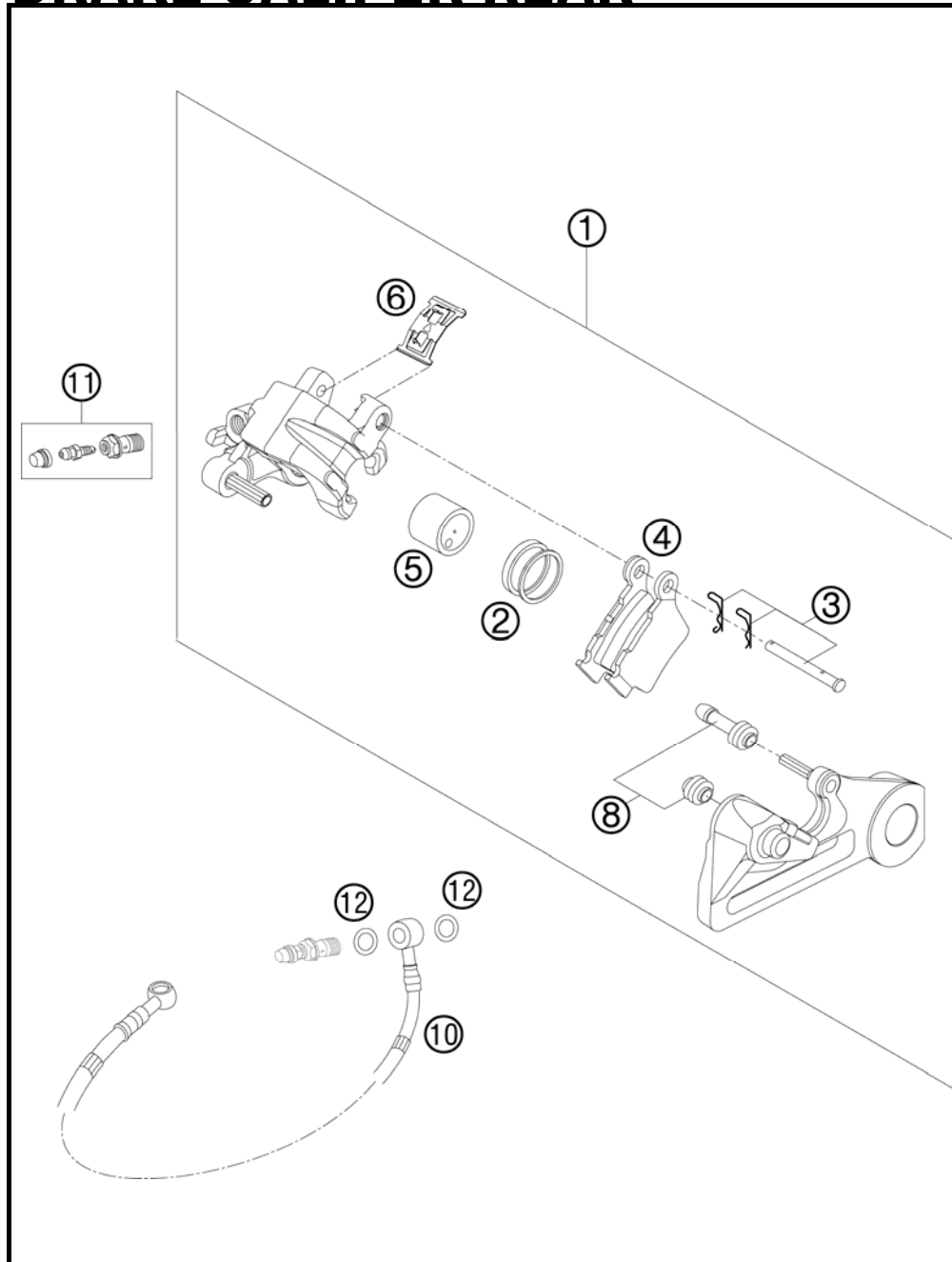


FIG	PART NUMBER	DESCRIPTION	QTY
1	54813080144	BRAKE CALIPER REAR CPL. 2005	1
2	50313081200	REPAIR KIT SEALING RINGS 26MM	1
3	54813082000	BOLT SET FOR BRAKE CALIPER 03	1
4	54813090300	BRAKE PAD SET REAR TOYO	1
5	54813083000	BRAKE PISTON 26MM 2003	1
6	54813018000	RETAINING SPRING SET 2003	1
8	54613218000	CUP SET SHORT	1
10	54813070000	BRAKE HOSE REAR 655MM 03	1
11	54813020000	BLEEDER HOLLOW SCREW M10X1	1
12	0603100141	COPPER GASKET DIN7603-10X14X1	2

085481390 / C085481390

\* NEW PART

X AS REQUIRED

①  
OHNE ABBILDUNG  
WITHOUT ILLUSTRATION

①  
TECHNISCHE DOKUMENTATION  
TECHNICAL DOCUMENTATION  
DOCUMENTACION TECNICA  
DOCUMENTATION TECHNIQUE  
NOTE TECNICHE

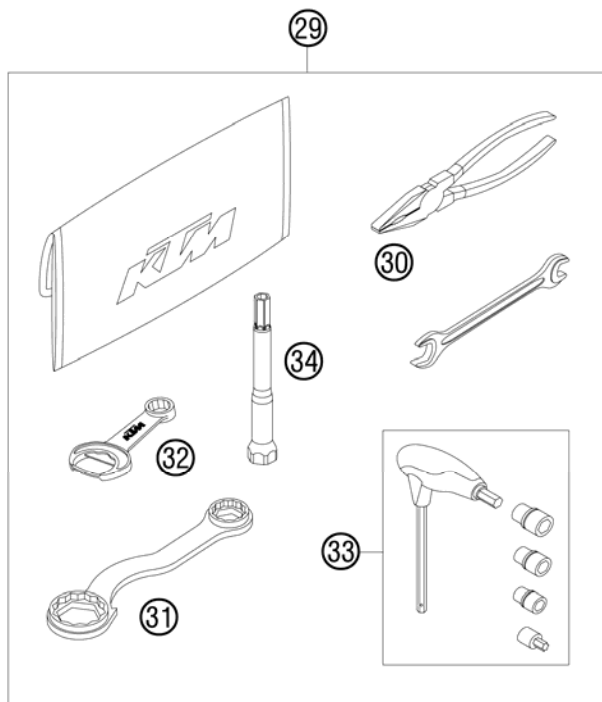


FIG	PART NUMBER	DESCRIPTION	QTY
0	312305	DOCUMENTS BAG 2006	1
0	312313	KTM BALLPOINT ORANGE	1
0	3210039	CUSTOMER WELCOME LETTER	1
0	5030314013390	FOOTREST L.+R. CPL. 03	1
0	58511053000	BATTERY 12V 4(5)AH TX5L-BS	1
0	7700207900004	HAND GUARDS CPL.L/S+R/S OR. 06	1
0	77303192000	PROTECTIVE FILM FRAME LEFT 07	1
0	77303193000	PROTECTIVE FILM FRAME RIGHT 07	1
1	3211227	OWNERS MAN.405/505SX-F/XC-F 08	1
1	3CF8475H1EN	SPM CHASSIS 450 XC-F USA 2008	1
1	3CM089252HEN	SPC ENGINE 450 XC-F 2008	1
29	77329099000	BORDTOOL 07	1
30	53012028200	GRIP ORANGE B&F	1
31	50329080000	WRENCH WS=17/21/27/32	1
32	50329071000	WRENCH WS=13/17	1
33	60029070200	T-WRENCH WS=6/8/10 TX=45 B&F	1
34	77329072000	SPARK PLUG WRENCH	1

087732000 / C087732002

\* NEW PART

X AS REQUIRED







KTM-Sportmotorcycle AG  
A-5230 Mattighofen  
[www.ktm.at](http://www.ktm.at)

KTM Group Partner



3CF8475H1EN



Art.Nr.: 3CF8475H1EN 5/2007