

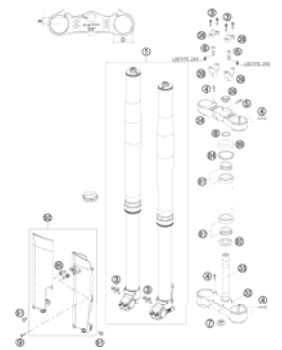
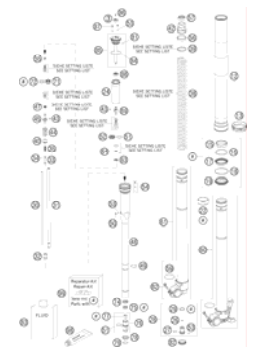
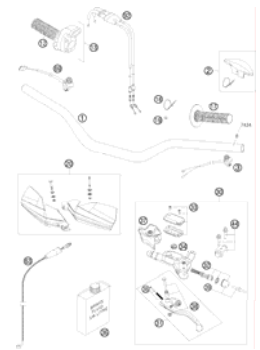
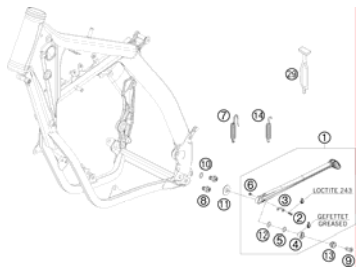

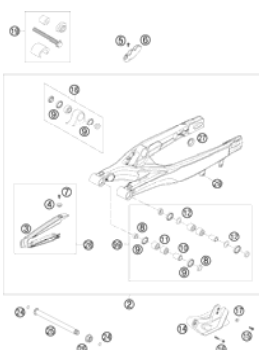
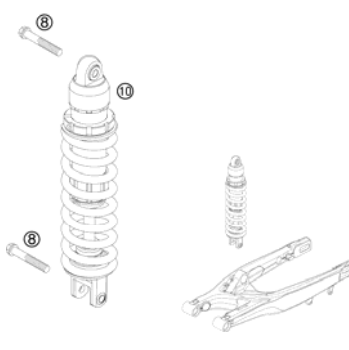
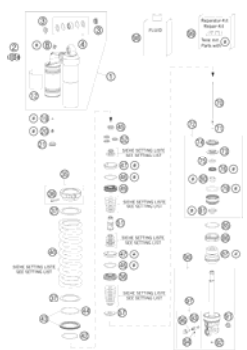
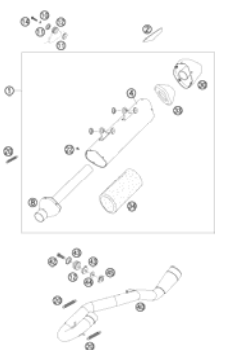
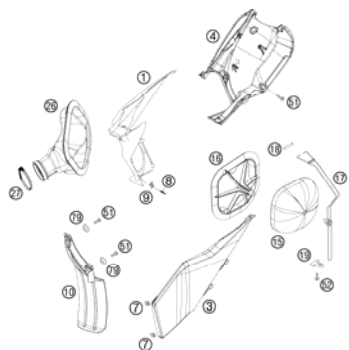
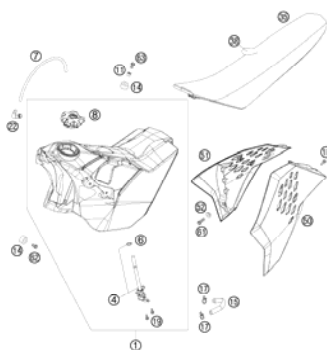
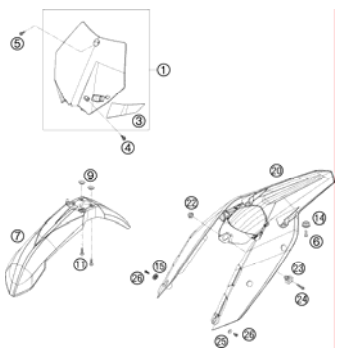
505 XC-F USA 2008

SPARE PARTS MANUAL: CHASSIS

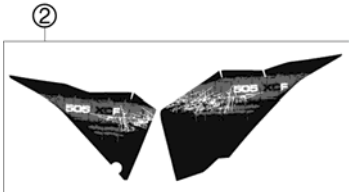
ART.NO.: 3CF8575H1EN

ENGLISH



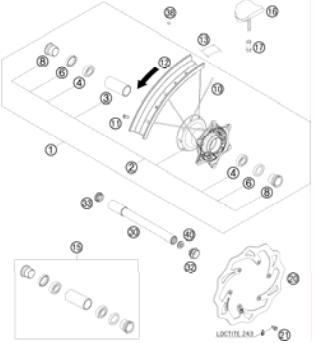
| | | | |
|--|---|--|---|
| <p>FRONT FORK, TRIPLE CLAMP</p>  <p>3</p> | <p>FRONT FORK DISASSEMBLED</p>  <p>4</p> | <p>HANDLEBAR, CONTROLS</p>  <p>7</p> | <p>SIDE / CENTER STAND</p>  <p>8</p> |
| <p>FRAME 08</p>  <p>9</p> | <p>SWING ARM</p>  <p>10</p> | <p>MONOSHOCK</p>  <p>11</p> | <p>MONOSHOCK DISASSEMBLED</p>  <p>12</p> |
| <p>EXHAUST SYSTEM</p>  <p>14</p> | <p>AIR FILTER</p>  <p>15</p> | <p>TANK, SEAT, COVER</p>  <p>16</p> | <p>MASK, FENDERS</p>  <p>17</p> |

DECAL



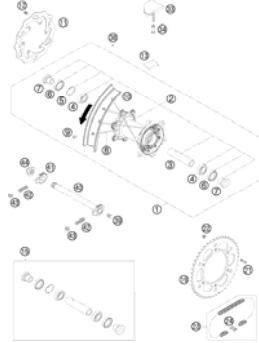
18

FRONT WHEEL



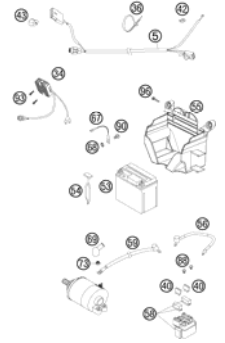
19

REAR WHEEL



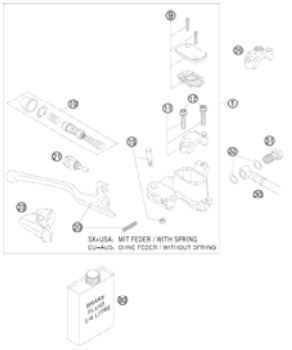
20

WIRING HARNESS



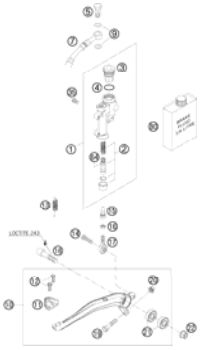
22

HAND BRAKE CYLINDER



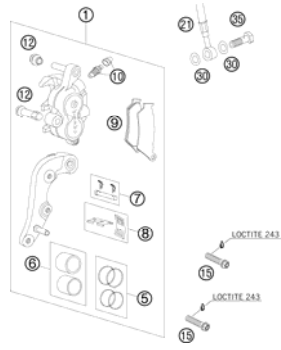
23

REAR BRAKE CONTROL



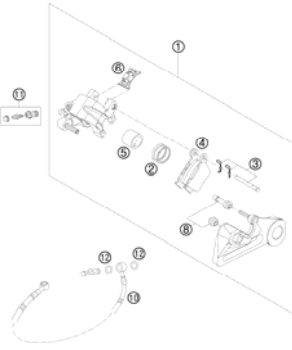
24

BRAKE CALIPER FRONT



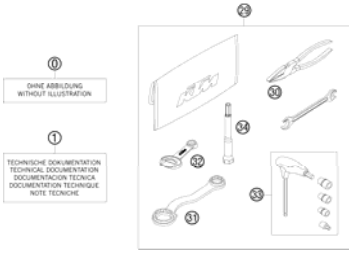
25

BRAKE CALIPER REAR



26

ACCESORIES KIT



27

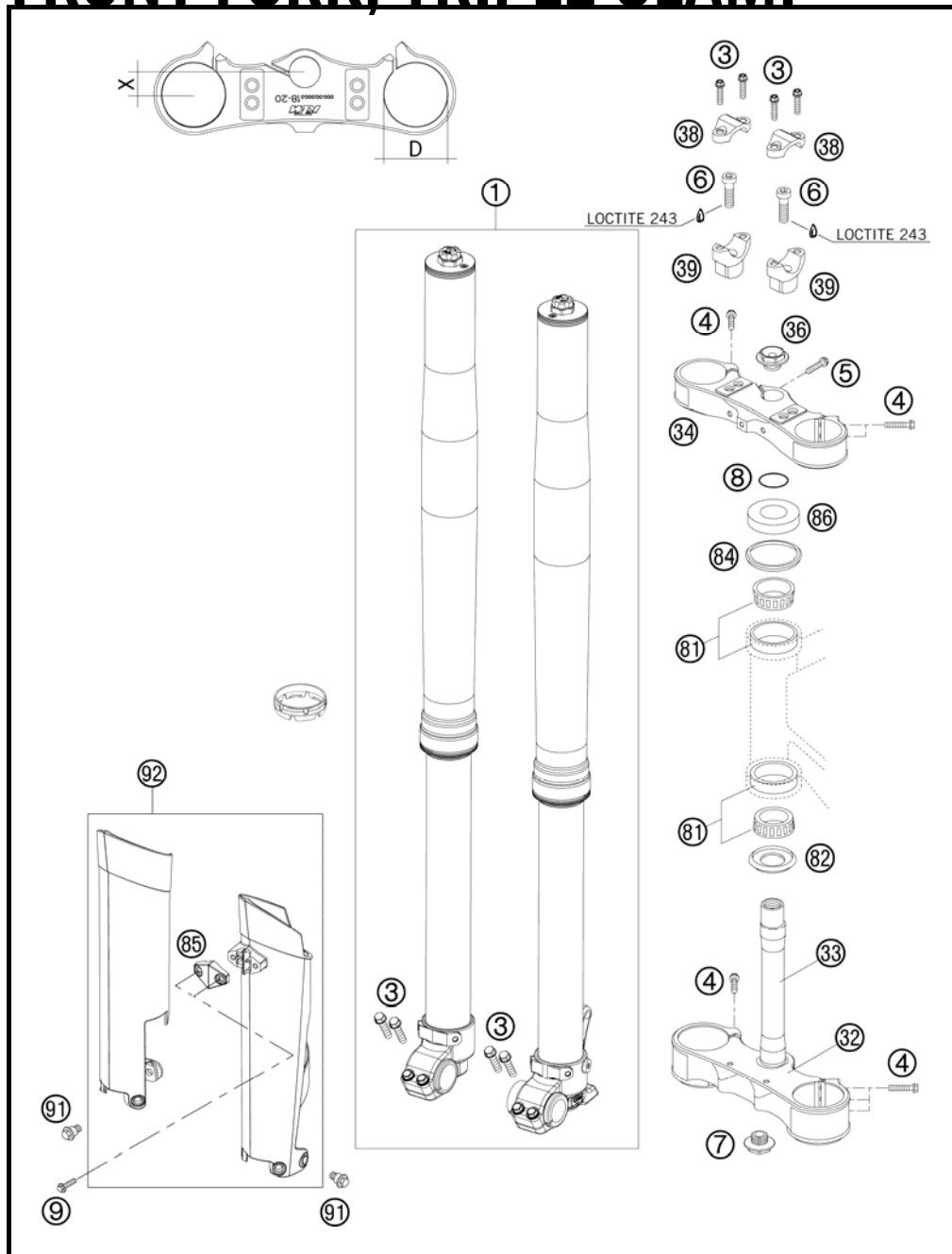
!

All information contained is without obligation. KTM-Sportmotorcycle AG particularly reserves the right to modify any equipment, technical specifications, prices, colors, shapes, materials, services, service work, constructions, equipment and the like so as to adapt them to local conditions or to cancel any of the above items, all without previous announcement and without giving reasons. KTM may stop manufacturing certain models without previous notice. KTM shall not be held liable for any deviations of availability and/or ability to deliver, illustrations, descriptions, printing and/or other errors. The illustrated models partly contain extra equipment, which is not applied to standard models.

© by KTM-SPORTMOTORCYCLE AG, Mattighofen AUSTRIA; All rights reserved; Reprint, also in extracts, with written allowance of KTM-SPORTMOTORCYCLE AG, Mattighofen only.

FRONT FORK, TRIPLE CLAMP

505 XC-F USA 2008



| FIG | PART NUMBER | DESCRIPTION | QTY |
|-----|---------------|---|-----|
| 1* | 14187D29 | FORK WP D=48 450/505XC+SD 08 | 1 |
| 3* | 0025080256 | HH COLLAR SCREW M8X25 TX40 | 8 |
| 4* | 0025080356 | HH COLLAR SCREW M8X35 TX40 | 10 |
| 5* | 0025080256S | HH COLLAR SCREW M8X25 TX40 | 1 |
| 6 | 0912100356 | AH SCREW DIN6912-M10X35 10.9 | 2 |
| 7 | 54801036100 | STE.HEAD SCR. M20X1,5 WS=27 SL SELF-LOCKING | 1 |
| 8 | 0770025035 | O-RING 25X3,55 NBR70 05 | 1 |
| 9 | 0017060204 | EJOT PT SCREW K60X20 ALU WS=6 | 2 |
| 32 | 59401031019 | BOTTOM TRIPLE CLAMP D=60MM 05 | 1 |
| 33 | 59401033000 | FORK TUBE L=237MM 05 | 1 |
| 34 | 59401034019 | TOP TRIPLE CLAMP D=54MM 05 | 1 |
| 36 | 54801036000 | STEER.HEAD SCREW M20X1,5 WS=27 | 1 |
| 38 | 59401038000 | HANDLEBAR CLAMP 28MM 05 | 2 |
| 39 | 59401039032 | HANDLEB.SUPP. D=28MM H=32MM 05 | x |
| 39 | 59401039037 | HANDLEB.SUPP. D=28MM H=37MM 05 | x |
| 39 | 59401039042 | HANDLEB.SUPP. D=28MM H=42MM 05 | x |
| 81 | 54201081100 | TAPERED ROLLER BEARING CPL. 06 | 2 |
| 82 | 54601084100 | O-RING SUPPORT W. SEALING LIP | 1 |
| 84 | 54601184000 | STEERING HEAD GASKET TOP | 1 |
| 85* | 7800108500030 | CLAMP F.SPEED.CABLE D=6MM 08 | 1 |
| 86 | 54201086000 | STEERING HEAD COVER | 1 |
| 91 | 59001092050 | SPECIAL SCREW M6X12,5 WS=8 | 6 |
| 92* | 7800109400030 | FORK PROT. L/S+R/S BLACK | 1 |

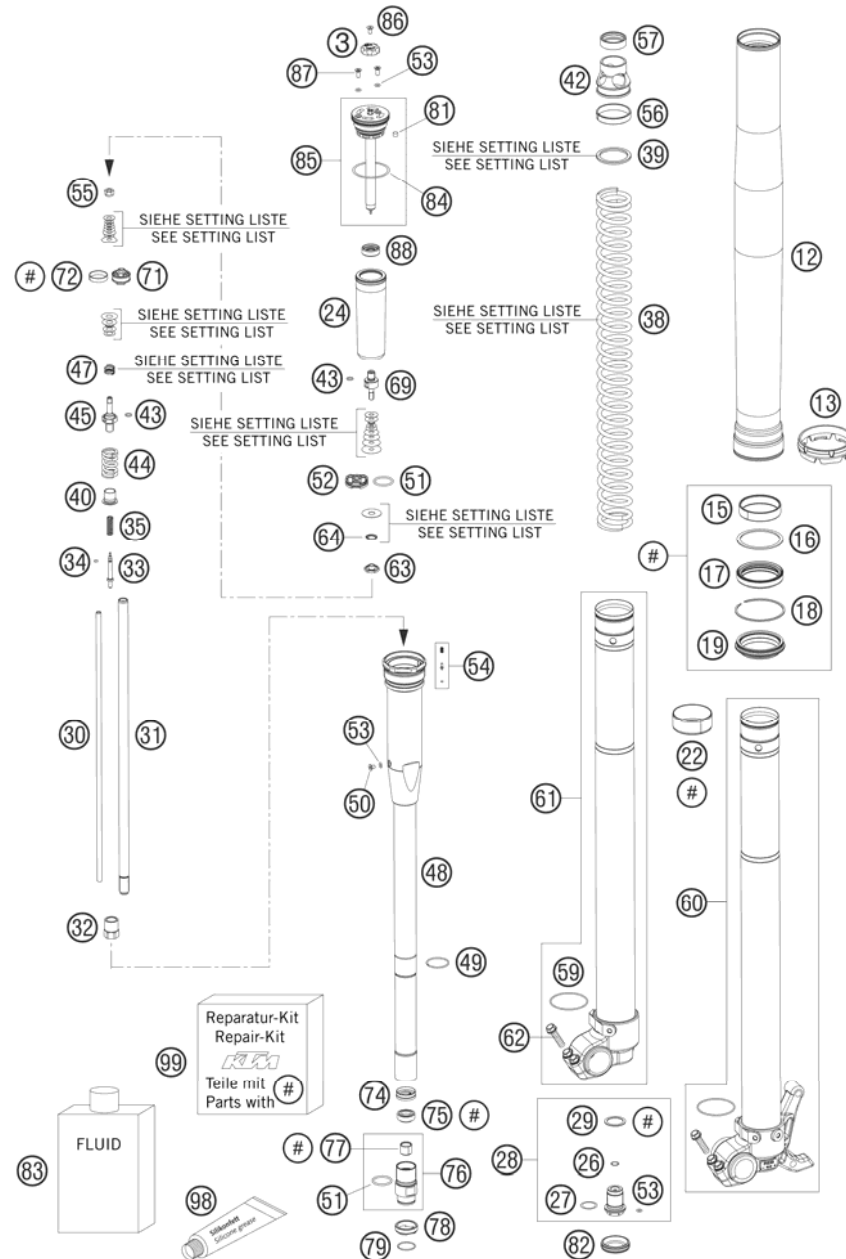
085030110 / C087730111

* NEW PART

X AS REQUIRED

FRONT FORK DISASSEMBLED

505 XC-F USA 2008



| FIG | PART NUMBER | DESCRIPTION | QTY |
|-----|-------------|--------------------------------|-----|
| 3 | 48600569 | SETTING KNOB | 2 |
| 12* | 48600693 | OUTER TUBE L577 D54/60MM 2L BL | 2 |
| 13* | 48600698 | FORK PROTECTION RING 08 | 2 |
| 15 | 48600429 | DU-BUSH D48XD52X12DDL02 | 2 |
| 16 | 48600013 | SUPPORT RING 50 X 57,6 X 1,5 | 2 |
| 17 | 48600347 | OIL SEAL RING 48X57,8X9,5 03 | 2 |
| 18 | 48600070 | LOCK WASHER SB58 | 2 |
| 19 | 48600400 | DUST CAP D=48 58,4X11,8 | 2 |
| 22 | 48600428 | DU-BUSH D47XD49X20DDL02 | 2 |
| 24 | 48600281 | MEMBRANE | 2 |
| 26 | 48600301 | O-RING NBR 9,5X1,5 | 2 |
| 27 | 46810811 | O-RING NBR 17X2 PA | 2 |
| 28 | 48600280S | SCREW BUSH M20X1 L=33 CPL. | 2 |
| 29 | 48600275 | COPPER WASHER 20,5X26X1 | 2 |
| 30 | 48600269 | ADJUSTING TUBE L=371 | 2 |
| 31 | 48600464 | PISTON ROD SXS 2005 | 2 |
| 32 | 48600459 | COUNTERNUT M12X1 WS17 | 2 |
| 33 | 48600277 | ADJUSTER NEEDLE 07 | 2 |
| 34 | 48600298 | O-RING 2X1,5 NBR | 2 |
| 35 | 48600444 | REBOUND SPRING C=4N/MM | 2 |
| 38 | 91410027S | SPRING 4,4 N/MM SET D=5,1MM | x |
| 38 | 91410028S | SPRING 4,6 N/MM SET D=5,1MM | x |
| 38 | 91410029S | POLISHED SPRING 4,8 N/MM | x |
| 38 | 91410030S | SPRING 5,0 N/MM | x |
| 38 | 91410051S | POLISHED SPRING 4,2 N/MM2 CC | x |
| 38 | 91410052S | POLISHED SPRING 4,4 N/MM2 CC | x |
| 38* | 91410059S | SPRING 4,0 N/MM SET | x |
| 38 | 91410060S | SPRING 4,2 N/MM SET D=5,0MM | x |
| 39 | 48600456 | SPACER 43X35X2,5 | x |
| 39 | 48600457 | SPACER 43X35X5 | x |
| 39 | 48600458 | SPACER 43X35X1,5 | x |
| 40 | 48600525 | GUIDING BUSH REBOUND SPRING | 2 |
| 42 | 48600520 | SPRING SUPPORT | 2 |
| 43 | 48600299 | O-RING 6X1,2 NBR | 4 |
| 44 | 48600578 | SPRING REB. L=32 C=37 DI=13,9 | 2 |
| 45 | 48600576 | PISTON ROD REBOUND | 2 |

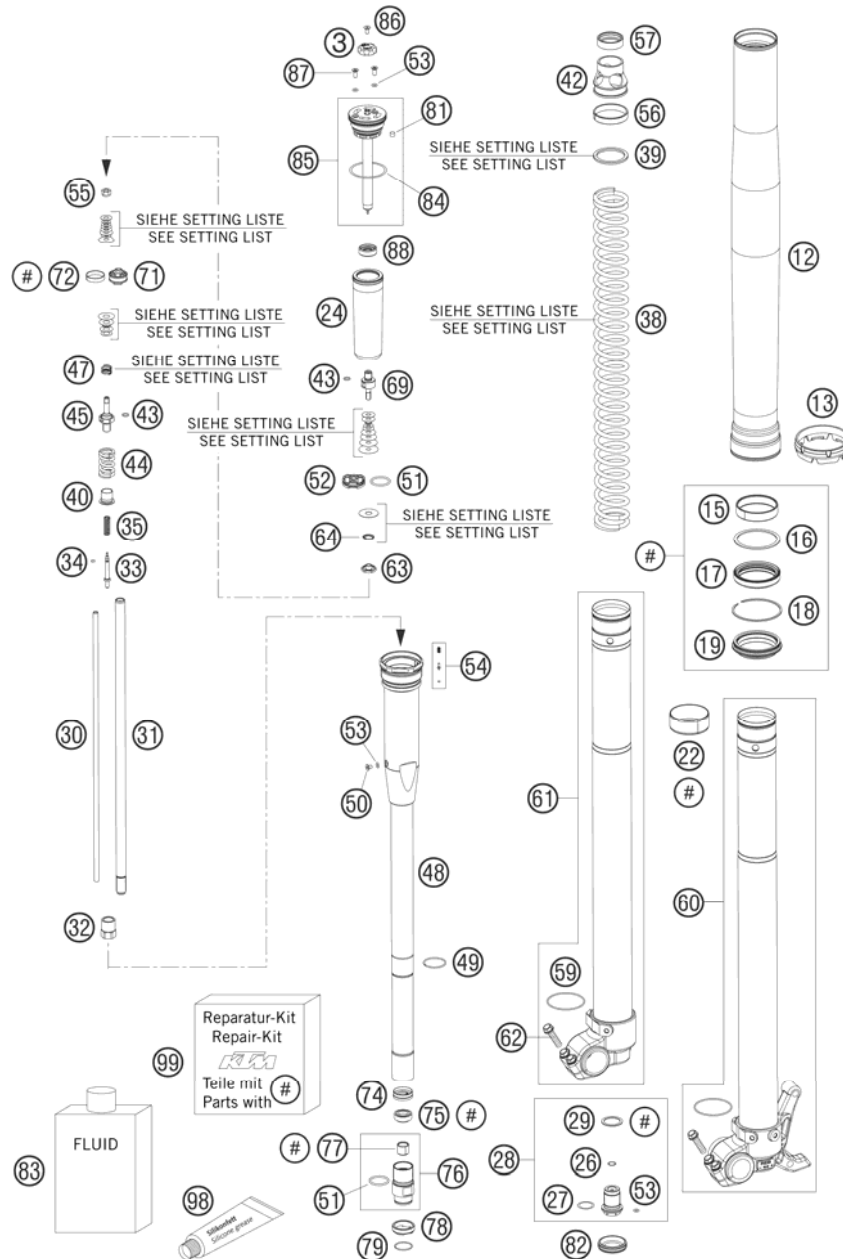
087800132 / C087800132

* NEW PART

X AS REQUIRED

FRONT FORK DISASSEMBLED

505 XC-F USA 2008



| FIG | PART NUMBER | DESCRIPTION | QTY |
|-----|-------------|-------------------------------|-----|
| 47 | 35480377 | SPRING CHECK VALVE D=0,5 | 2 |
| 47 | 48600382 | SHUTTLE VALVE SPRING C=0,4 | 2 |
| 48* | 48600519S3 | MEMBRANE HOLDER | 2 |
| 49 | 48600512 | LOCK WASHER D=25,5 | 2 |
| 50 | 48600542 | AH SCREW M4X6 | 2 |
| 51 | 46811499 | O-RING NBR 21X2 | 4 |
| 52 | 48600047 | PISTON COMPRESSION D=27,9 | 2 |
| 53 | 50180222 | O-RING NBR 4X1,5 | 8 |
| 54 | 48600518S | PIN VALVE SET | 2 |
| 55 | 40540486 | NUT M6X0,5 REBOUND | 2 |
| 56 | 48600294 | GUIDE RING 44,2 X39,3 | 2 |
| 57 | 48600577 | RING SPRING-SUPPORT | 2 |
| 59 | 48600048 | O-RING NBR 46 X 2 | 2 |
| 60* | 48600690S1 | AXLE CLAMP L/S + TUBE CPL. 08 | 1 |
| 61* | 48600691S1 | AXLE CLAMP R/S + TUBE CPL. 08 | 1 |
| 62* | 0025080256 | HH COLLAR SCREW M8X25 TX40 | 4 |
| 63 | 48600163 | CHECK VALVE NUT M6X0,5 D=2 | 2 |
| 64 | 48600202 | SPRING CHECK VALVE D=0,7 | 2 |
| 69 | 48600509 | PISTON ROD COMPRESSION | 2 |
| 71 | 48600575 | PISTON REBOUND SX 2007 | 2 |
| 72 | 48600455 | PISTON RING 5X1X68 | 2 |
| 74 | 48600296 | RING D=23,45X2,65 | 2 |
| 75 | 48600471 | PISTON ROD SEALING | 2 |
| 76 | 48600546S | SCREW SLEEVE M24,5X1 CPL. | 2 |
| 77 | 48600430 | DU BUSH FOR PISTON ROD | 2 |
| 78* | 48600709 | CHECK VALVE STOP | 2 |
| 79 | 48600446 | LOCK WASHER D=20 | 2 |
| 81 | 15080017 | SILICON CAP | 2 |
| 82* | 48600692 | RUBBER CAP D=26,4 | 2 |
| 83 | 48600401S1 | FORK OIL SAE5 5L 2005 | 1 |
| 84 | 40140024 | O-RING NBR 43X2 | 2 |
| 85 | 48600516S1 | SCREW CAP CPL. L=125 | 2 |
| 86 | 48600527 | AH SCREW M4X6 | 2 |
| 87 | 48600526 | SCREW M4X10 | 4 |
| 88 | 48600514 | MEMBRANE SLEEVE | 2 |
| 98 | T511 | SILICONE GREASE F. DUST STRI | 1 |

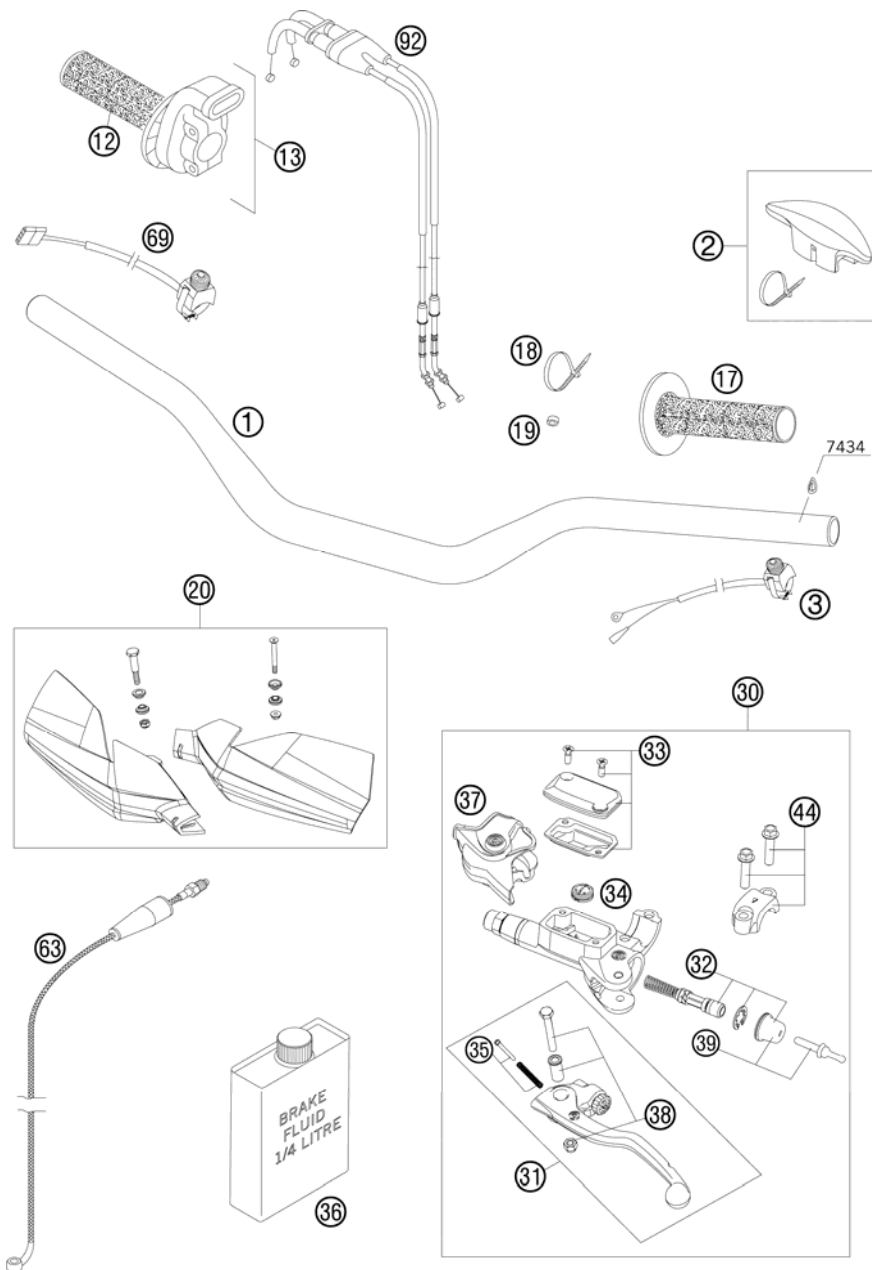
087800132 / C087800132

* NEW PART

X AS REQUIRED

HANDLEBAR, CONTROLS

505 XC-F USA 2008



| FIG | PART NUMBER | DESCRIPTION | QTY |
|-----|---------------|--------------------------------|-----|
| 1* | 5480200130017 | HANDLEBAR NEKEN D=28MM EXC 07 | 1 |
| 2 | 59002002000 | HANDLEBAR PAD 05 | x |
| 3 | 50311089200 | SHORT CIRCUIT BUTTON 02 | 1 |
| 12 | 54802013000 | TWIST GRIP COVER RENTAL 04 | 1 |
| 13 | 59402010000 | THROTTLE GRIP CPL. RACING 2004 | 1 |
| 17 | 54802039000 | FIXED GRIP RENTAL 04 | 1 |
| 18 | 44011076100 | CABLE TIE 100/2,5MM BLACK | x |
| 18 | 44011076200 | CABLE TIE 200/3,6MM BLACK | x |
| 19 | 50301089000 | SPACER BUSHING 6X10X5 | 1 |
| 20* | 7700207900004 | HAND GUARDS CPL.L/S+R/S OR. 06 | 1 |
| 30 | 54802030044 | MASTER CYLINDER CPL. 06 | 1 |
| 31 | 54802031000 | CLUTCH LEVER CPL. BREMBO 06 | 1 |
| 32 | 54802032000 | REP. KIT PISTON 06 | 1 |
| 33 | 54802003000 | COVER HYD. CLUTCH CPL. | 1 |
| 34 | 54802051000 | VALVE | 1 |
| 35 | 54802052000 | BOLT KPL. | 1 |
| 36 | 00062030000 | BRAKE FLUID DOT5.1 0,25L | 1 |
| 37 | 54802037000 | PROTECTION CAP 06 | 1 |
| 38 | 54802038100 | LEVER SCREW CPL. 06 | 1 |
| 39 | 54802046000 | PUSH ROAD CPL. | 1 |
| 44 | 54802005100 | CLAMP CPL. 06 | 1 |
| 63 | 54832063000 | CLUTCH PIPE 06 | 1 |
| 69* | 63011074000 | STARTER BUTTON 06 | 1 |
| 92 | 77002091000 | THROTTLE CABLE 250 SXF 2005 | 1 |

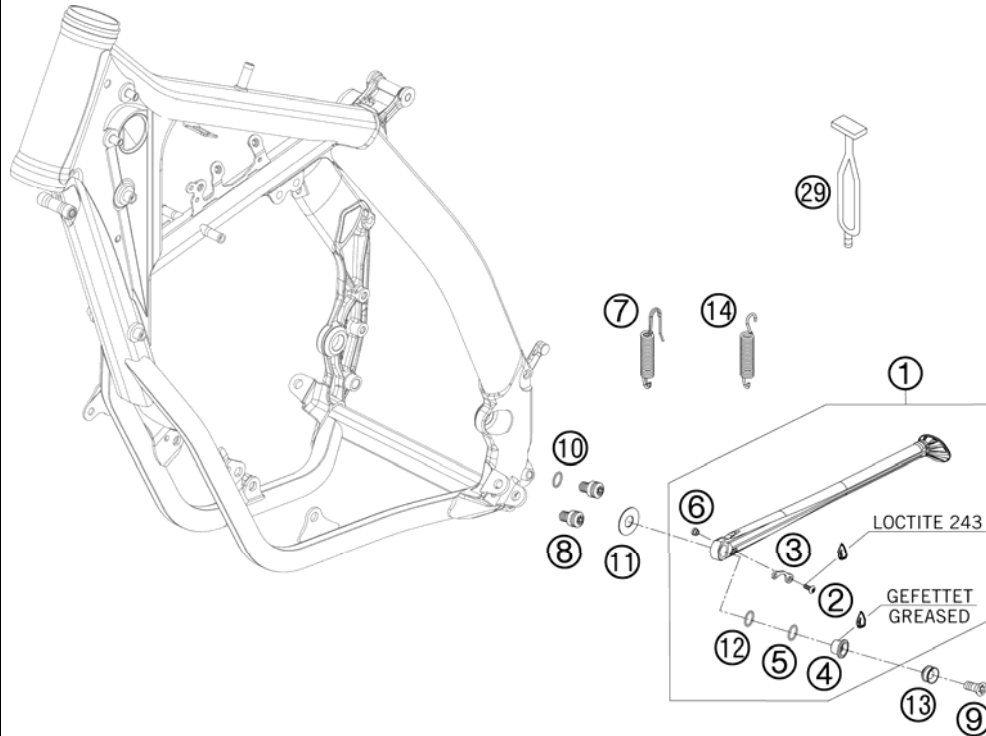
087800210 / C087730211

* NEW PART

X AS REQUIRED

SIDE / CENTER STAND

505 XC-F USA 2008

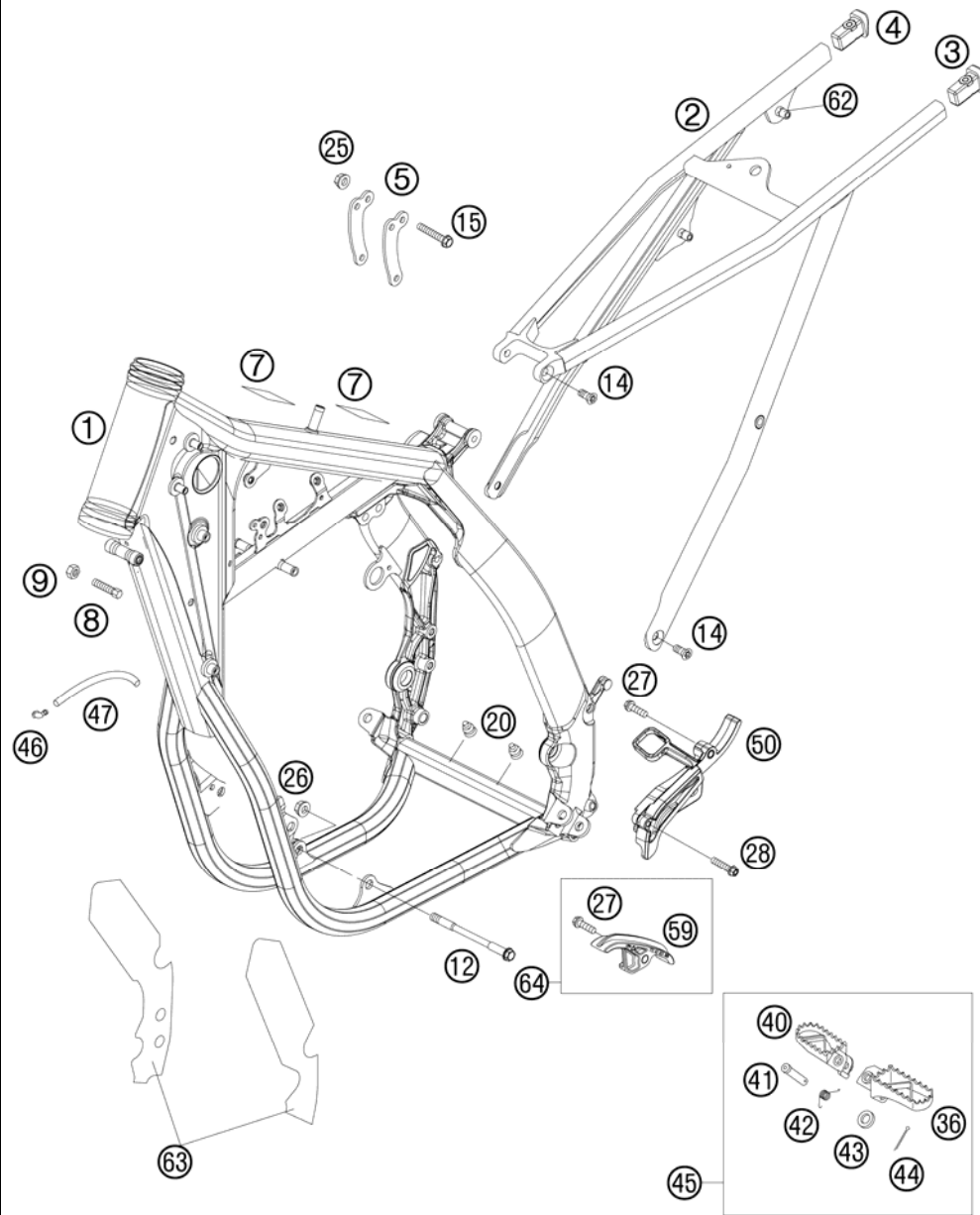


| FIG | PART NUMBER | DESCRIPTION | QTY |
|-----|-------------|---|-----|
| 1 | 78003023044 | SIDE STAND CPL. 08 | 1 |
| 2 | 58605083014 | SCREW M5X14 TORX 25 07 | 1 |
| 3 | 78003023090 | SUPPORT SIDE STAND SPRING 08 | 1 |
| 4 | 78003023080 | SIDE STAND BUSHING EXC USA 08 | 1 |
| 5 | 0770180020 | O-RING 18,00X2,00 NBR 70 | 1 |
| 6 | 78003023070 | SPACER BUSHING SPRING BRACKET | 1 |
| 7 | 78003024000 | SIDE STAND SPRING EXC 08 ONLY FOR EXC | 1 |
| 8 | 78003023082 | SIDE STAND STOP SCREW M10x30 | 2 |
| 9 | 0019080266S | COUNTER-SUNK SCREW ISA45 M8X26 | 1 |
| 9 | 0025080306 | HH COLLAR SCREW M8X30 TX40 ONLY FOR EU | 1 |
| 10 | 0770120020 | O-RING 12,00X2,00 NBR 70 | 1 |
| 11 | 78003023083 | WASHER F. SIDE STAND 12,2X29,5 | 1 |
| 12 | 0770125015 | O-RING 12,5X1,5 NBR | 1 |
| 13 | 78003023081 | SIDE STAND BUSHING EXC-EU 08 ONLY FOR EU | 1 |
| 14 | 78003024100 | SIDE STAND SPRING 08 ONLY FOR XC | 1 |
| 29 | 50303018000 | RUBBER L=145MM | 1 |

085230360 / C085230360

* NEW PART

X AS REQUIRED



| FIG | PART NUMBER | DESCRIPTION | QTY |
|-----|---------------|--------------------------------|-----|
| 1* | 7730300110030 | FRAME 450 XC-F "JB08" 08 | 1 |
| 2* | 77303002000 | SUB FRAME SX "Q7" 07 | 1 |
| 3* | 78003002010 | SUB FRAME APPLICATION LEFT 08 | 1 |
| 4* | 78003002020 | SUB FRAME APPLICATION RIGHT 08 | 1 |
| 5* | 77303013000 | ENGINE BRACE 450 SX-F 07 | 2 |
| 7 | 50307012000 | ADH. FOIL TRANSP. 80X80 MM 04 | 2 |
| 8 | 59001037000 | SPECIAL SCREW M8X26 WS=10 | 2 |
| 9 | 0934080003 | HEXAGON NUT DIN0934-M 8 | 2 |
| 12* | 59003013000 | ENGINEBRAC.SCREW M10X123 WS=13 | 2 |
| 14* | 0019080206S | FLAT HEAD SCREW M. ISA45 M8X20 | 4 |
| 15 | 56530079000 | COLLAR SCREW M8X42 WS=13 10.9 | 3 |
| 20* | 54403135000 | PLASTIC CAP SFL10 | 2 |
| 25 | 54310086200 | SELF LOCKING NUT M8 10.9 | 3 |
| 26 | 54310086100 | SELF LOCKING NUT M10 CU WS=14 | 2 |
| 27* | 0025080306 | HH COLLAR SCREW M8X30 TX40 | 2 |
| 28* | 0025060406 | HH COLLAR SCREW M6X40 TX30 | 1 |
| 36 | 59003040250 | FOOT PED L/S SILVER 02 | 1 |
| 40 | 59003041250 | FOOT PED R/S SILVER 02 | 1 |
| 41 | 54803044000 | BOLT FOR FOOT PED 03 | 2 |
| 42 | 54603041000 | FOOTREST SPRING L/S & R/S | 2 |
| 43 | 0125100003 | WASHER DIN0125-A10,5 | 2 |
| 44 | 0094032253 | PIN DIN0094-3,2X25 STEEL | 2 |
| 45 | 5030314013390 | FOOTREST L.+R. CPL. 03 | 1 |
| 46 | 50303089000 | ANGEL PIECE '97 | 1 |
| 47 | 55007016001 | PVC-HOSE 7X10 PER METER | x |
| 49* | 77303096000 | CHAIN SPROCKET COVER | 1 |
| 59* | 77303053000 | CHAIN SLIDING PIECE BELOW 07 | 1 |
| 62* | 77303139000 | BLIND RIVET NUT EM6-60LF/HX | 4 |
| 63* | 77303094000 | FRAME PROTECTION STICK. SET 07 | 1 |
| 64* | 77303053010 | CHAIN SLIDING P. BELOW CPL. 07 | 1 |

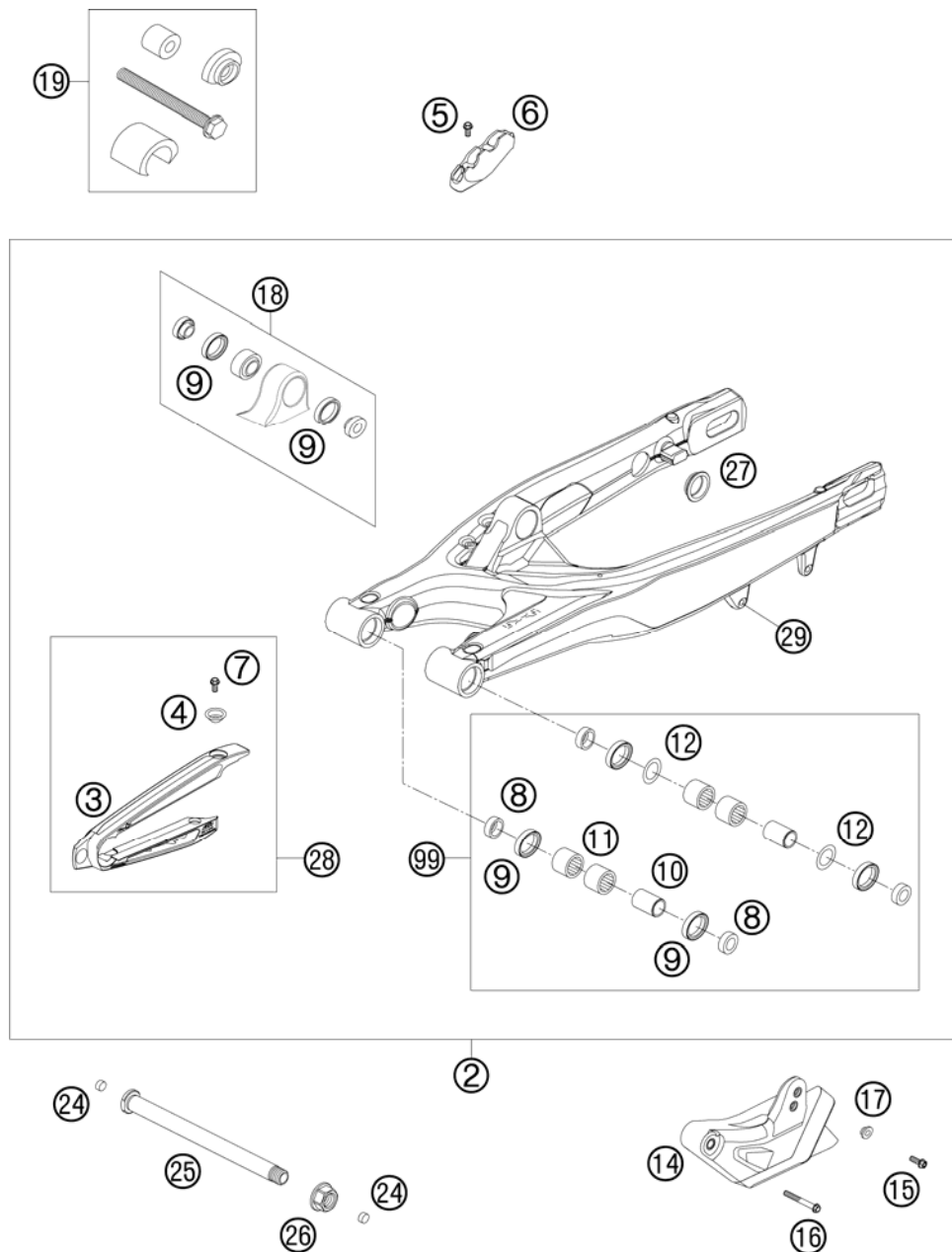
087730311 / C087730311

* NEW PART

X AS REQUIRED

SWING ARM

505 XC-F USA 2008

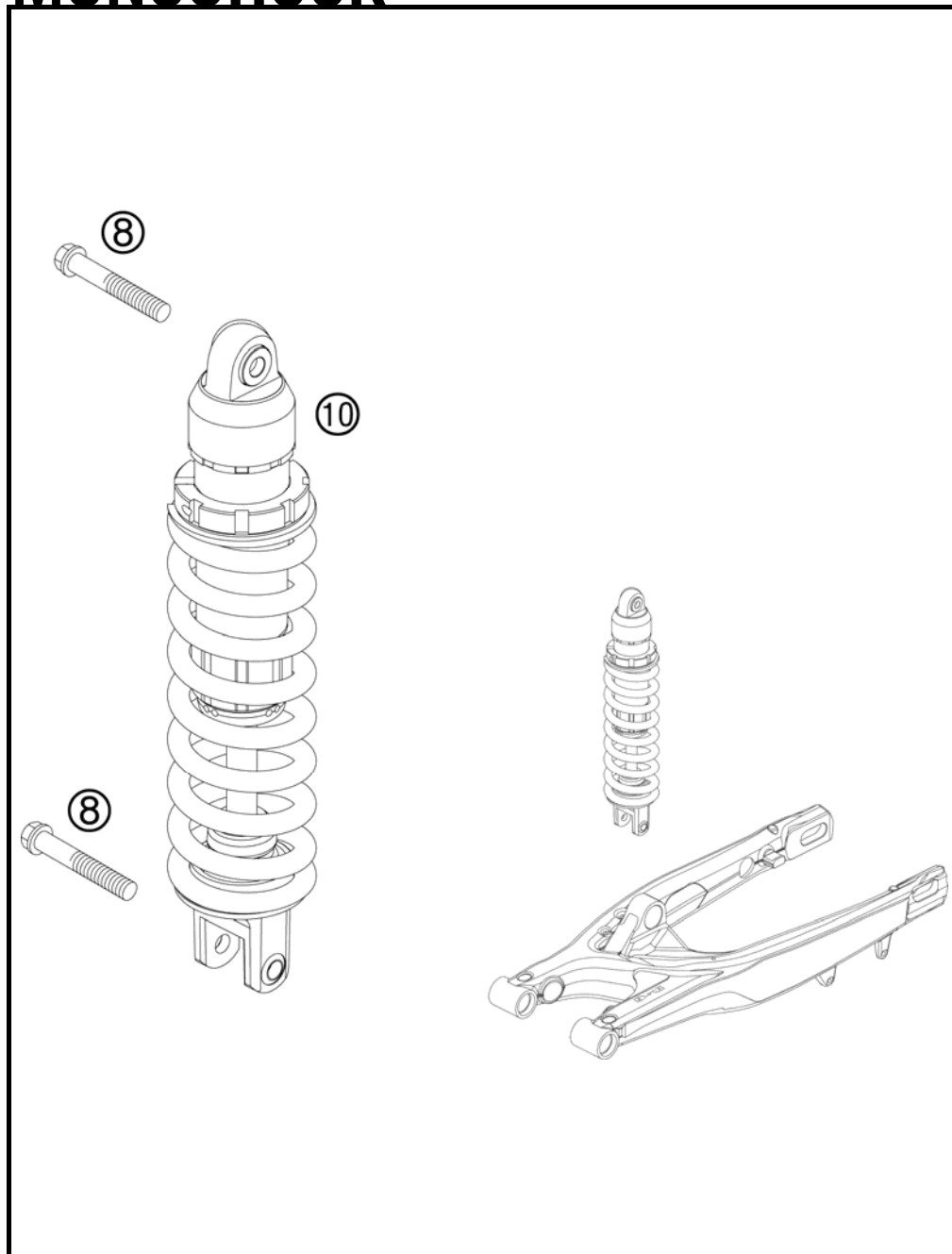


| FIG | PART NUMBER | DESCRIPTION | QTY |
|-----|-------------|--------------------------------|-----|
| 2* | 77304030044 | SWINGARM CPL. 07 | 1 |
| 3* | 77304066000 | CHAIN SLIDING PROTECTION | 1 |
| 4* | 77304066050 | BUSHING F. CHAIN SLIDING PR.07 | 2 |
| 5 | 0009050103 | SPECIAL SCREW M 5,0X10 | 2 |
| 6* | 77313047000 | BRAKE HOSE GUIDE LOWER 07 | 1 |
| 7* | 0025060106 | HH COLLAR SCREW M6X10 TX30 | 2 |
| 8 | 54804034000 | BUCKET F. SHAFT SEAL RING 03 | 4 |
| 9 | 0760253270 | SHAFT SEAL RING 25X32X7 | 6 |
| 10 | 54804032000 | BUSHING SLEEVE F. SWING ARM 03 | 2 |
| 11 | 58033097000 | NEEDLE BEARING HK 2216 | 4 |
| 12 | 54603036000 | STOP DISK 22,2X31,7X1 | 2 |
| 14* | 77304070000 | CHAIN GUIDE REAR CPL. 07 | 1 |
| 15* | 0025060166 | HH COLLAR SCREW M6X16 TX30 | 1 |
| 16* | 0025060456 | HH COLLAR SCREW M6X45 TX30 | 1 |
| 17* | 77304070130 | BUSH. F. CHAIN FAIL. PROT. 07 | 1 |
| 18 | 50304090044 | PIVOT BEARING+BUSHES PDS '99 | 1 |
| 19 | 50329000044 | TOOL BEARING MOUNTING PDS | 1 |
| 24* | 55009086000 | PLUG SFL13 | 2 |
| 25 | 77304037000 | SWINGARM BOLT M16X1,5 07 | 1 |
| 26 | 54804038000 | SELF LOCK.NUT M16X1,5 WS=19 03 | 1 |
| 27 | 58404041100 | CLOSING COVER ROUND 03 | 4 |
| 28 | 77304066010 | CHAIN GUARD CPL. 06 | 1 |
| 29* | 54603055051 | PRESS IN NUT M6 STEEL ZINC | 1 |
| 99* | 54804230210 | SWINGARM REPAIR KIT 05-07 | x |

085030490 / C085230490

* NEW PART

X AS REQUIRED



| FIG | PART NUMBER | DESCRIPTION | QTY |
|-----|-------------|-------------------------------|-----|
| 8* | 0025120506S | HH COLLAR SCREW M12X50 TX45 | 2 |
| 10* | 12187D29 | MONOSHOCK PDS 450/505 XC-F 08 | 1 |

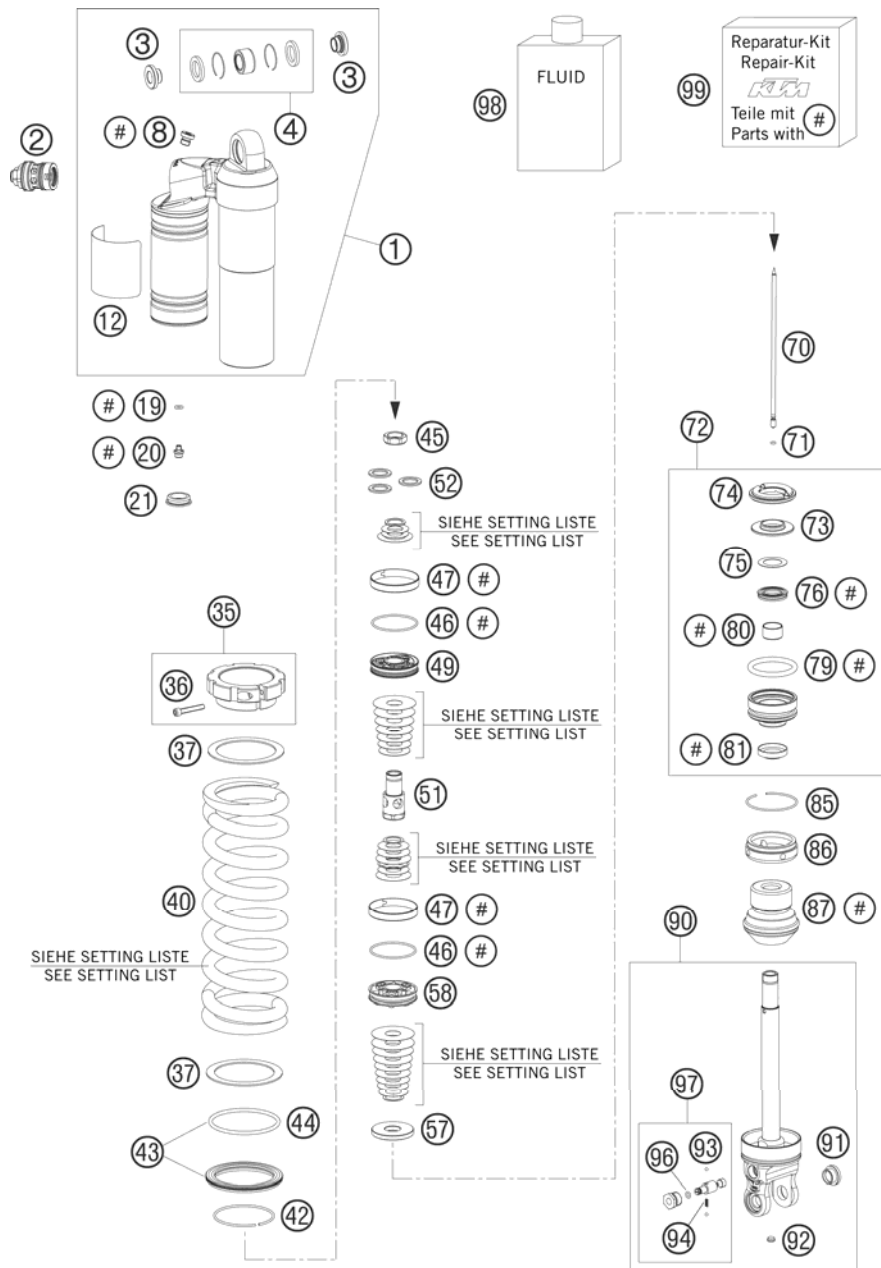
085030410 / C087730411

* NEW PART

X AS REQUIRED

MONOSHOCK DISASSEMBLED

505 XC-F USA 2008



| FIG | PART NUMBER | DESCRIPTION | QTY |
|-----|-------------|--------------------------------|-----|
| 1* | 50180597S1 | TOP PART CPL. M57,5X1 H30,5 08 | 1 |
| 2 | 50180213S10 | DCC-COMPR.DAMP.CONTROL CPL. 07 | 1 |
| 3 | 46180007 | ADAPTOR BUSH KGW 12X24 | 2 |
| 4 | R12012 | REP. KIT BEAR./SEAL UP. 07 | 1 |
| 8 | 50180095 | BLEED PLUG R 1/8 | 1 |
| 12 | 52000041 | WP CAUTION (PDS KTM) 58X83 | 1 |
| 19 | 46810893 | O-RING NBR 5,28X1,78 | 1 |
| 20 | 36120151 | SCREW PLUG M5X6 | 1 |
| 21 | 46811208 | RUBBER CAP "DO NOT OPEN" | 1 |
| 35* | 50180520S | SPRING RETAINER M57,5X1 +SCREW | 1 |
| 36 | 50180327 | AH SCREW M5X30 DIN912 | 1 |
| 37 | 50180114 | INTERM.RING SCREW SPRING RET. | 2 |
| 40 | 91210053S | SPRING 250 63N/MM ORANGE | x |
| 40 | 91210054S | SPRING 250 66N/MM ORANGE | x |
| 40 | 91210055S | SPRING 250 60N/MM ORANGE | x |
| 40* | 91210068S | SPRING 250 69N/MM ORANGE | x |
| 40* | 91210069S | SPRING 250 72N/MM ORANGE | x |
| 42 | 50180273 | CIRCLIP 58,2X2 | 1 |
| 43 | 50180463S | SPRING RET. D=80 W. O-RING 05 | 1 |
| 44 | 50180352 | O-RING VITON 66,27X3,53 | 1 |
| 45 | 50180141 | PISTON ROD NUT M16X1 | 1 |
| 46 | 50180099 | O-RING VITON 44,17X1,78 | 2 |
| 47 | 50180135 | PISTON RING 50-8 | 2 |
| 49 | 50180446 | PISTON 6+6X3,5/4,5 | 1 |
| 51* | 50180601 | HOLDER D=16 M16X1 L=44 08 | 1 |
| 52* | 50180210 | WASHER 16X21X1 | 1 |
| 57 | 50180516 | REBOUND DISC D=34, H=5 | 1 |
| 58 | 50180311 | PISTON 6+6X7/4,5 VB 1,0 | 1 |
| 70 | 50180513 | NEEDLE L=171 | 1 |
| 71 | 46811265 | O-RING VITON 2,2X1,6 | 1 |
| 72* | 50180603S | ADAPTOR CPL. D=50 H=28 08 | 1 |
| 73 | 50180113 | STEEL DISC 18X,5X43,7X6 | 1 |
| 74 | 50180107 | REBOUND RUBBER | 1 |
| 75* | 50180604 | SHIM D29,75 X D19 X T0,4 08 | 1 |
| 76* | 50180605S | SEAL D18X30X5 08 | 1 |
| 79 | 50180103 | O-RING 41X5 | 1 |

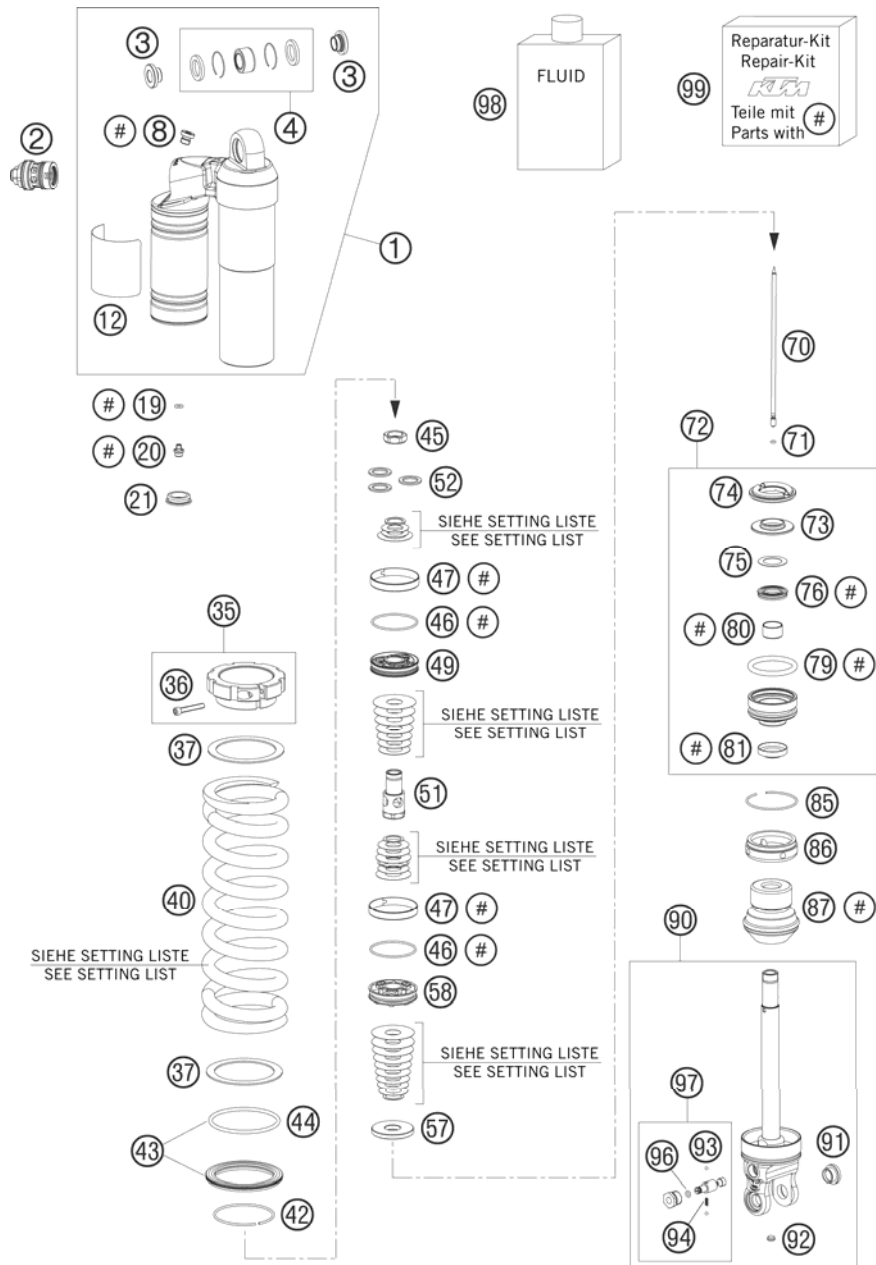
087800430 / C087800433

* NEW PART

X AS REQUIRED

MONOSHOCK DISASSEMBLED

505 XC-F USA 2008



| FIG | PART NUMBER | DESCRIPTION | QTY |
|-----|-------------|--------------------------------|-----|
| 80 | 46180119 | DU-BUSH 18X20X12 | 1 |
| 81* | 50180606 | DUST SEAL 1828 08 | 1 |
| 85 | 50180126 | CIRCLIP 53X1,75 | 1 |
| 86 | 50180511 | COVER D=50 07 | 1 |
| 87 | 50180480 | BUMP RUBBER D58 D17 H59 SXS 05 | 1 |
| 90 | 50180512S1 | MONOSHOCK LOWER PART CPL. 07 | 1 |
| 91 | 50180105 | THREADED BUSH M12 PDS | 1 |
| 92 | 50180297 | RUBBER PLUG D=8 | 1 |
| 93 | 40540603 | STEEL BALL D=3MM | 2 |
| 94 | 48600028 | SPRING D=2,9 L=7,9 | 1 |
| 96 | 50180222 | O-RING NBR 4X1,5 | 1 |
| 97 | 50180434S | ADJUSTING SCREW REBOUND TRAVEL | 1 |
| 98 | 50180342S1 | SHOCK ABSORBER FLUID 5 LT '03 | 1 |
| 99* | R12014 | REPAIR KIT 5018 PDS 06 | 1 |

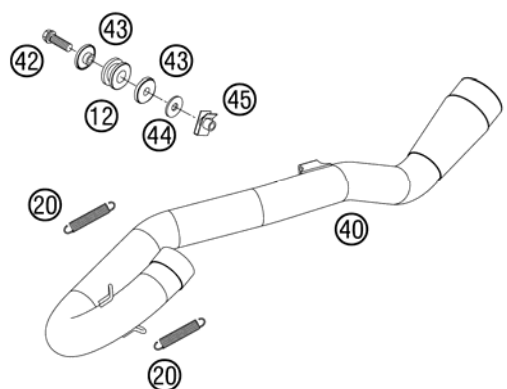
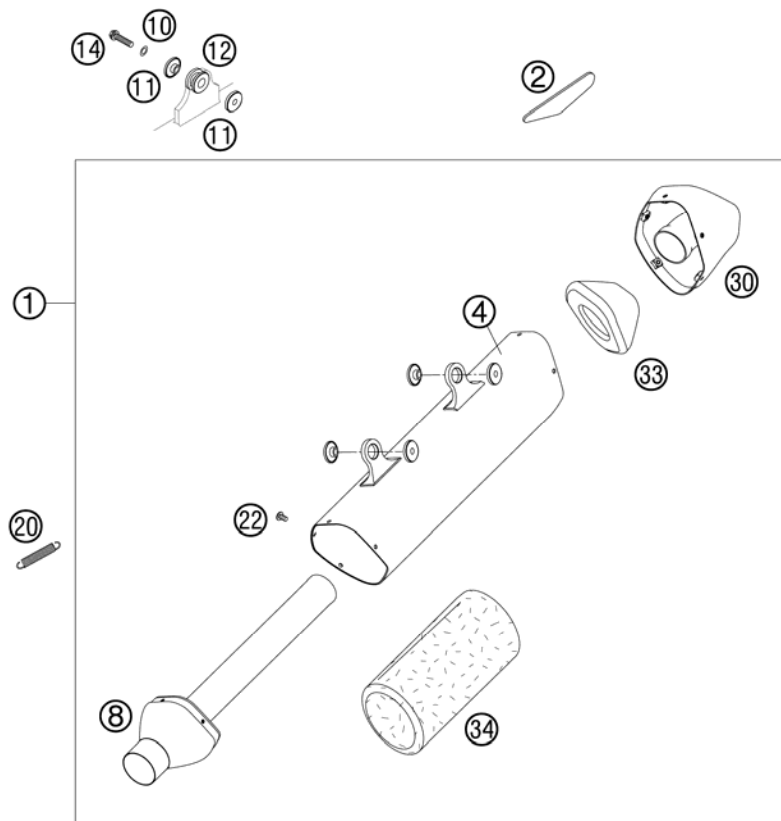
087800430 / C087800433

* NEW PART

X AS REQUIRED

EXHAUST SYSTEM

505 XC-F USA 2008

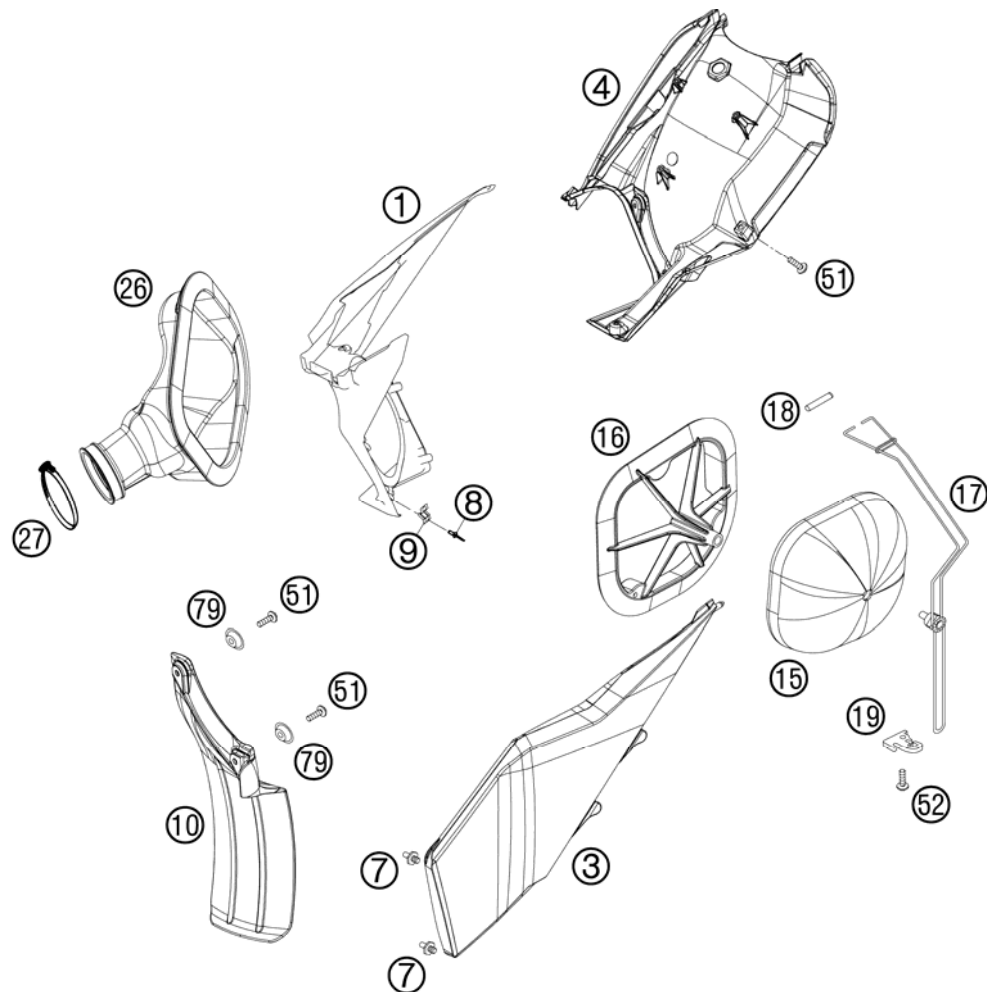


| FIG | PART NUMBER | DESCRIPTION | QTY |
|-----|-------------|--------------------------------|-----|
| 1* | 77305079000 | EXHAUST SILENCER 450 SX-F 07 | 1 |
| 2* | 77308013050 | THERMAL PROTECTION FOIL 07 | 1 |
| 4* | 77305079050 | SILENCER HOUSING 450 SX-F 07 | 1 |
| 8* | 77305079009 | CONNECTING CAP CPL. 07 | 1 |
| 10 | 0137060003 | SPRING WASHER DIN0137-B 6 | 2 |
| 11 | 77305069000 | BUSHING 7.5x12x28x7.6 07 | 4 |
| 12 | 54605068000 | EXHAUST BRACKET RUBBER BLACK | 3 |
| 14* | 0025060306 | HH COLLAR SCREW M6X30 TX30 | 2 |
| 20 | 50305016000 | TEN.SPRING L=62MM EY.MOVEABLE | 3 |
| 22* | 58605083010 | SCREW TORX M5X10 05 | 10 |
| 30* | 77305079006 | ENDCAP 07 | 1 |
| 33* | 58305083080 | STUFFING YARN HGS 97 | 1 |
| 34* | 59005078550 | STUFF.YARN 550GRAMM L=550MM SX | 1 |
| 40* | 77305007100 | EXHAUST MANIFOLD 450 SX-F 07 | 1 |
| 42* | 0025080256 | HH COLLAR SCREW M8X25 TX40 | 1 |
| 43* | 59405069000 | BUSHING FOR EXHAUST SUPPORT 03 | 1 |
| 44* | 0021080003 | WASHER DIN9021-A 8,4 | 1 |
| 45* | 54603048000 | RANGE CHANGE METAL NUT M8 | 1 |

087730511 / C087730511

* NEW PART

X AS REQUIRED



| FIG | PART NUMBER | DESCRIPTION | QTY |
|-----|---------------|--------------------------------|-----|
| 1* | 7730600101030 | FILTER WALL SX BLACK 07 | 1 |
| 3* | 7730600300030 | FILTER BOX COVER SX BLACK 07 | 1 |
| 4 | 77306001020 | REAR PART FILTER BOX 07 | 1 |
| 7 | 54806008051 | QUICK RELEASE-NIPPLE 03 | 2 |
| 8 | 54806108052 | BLIND RIVET 3,3X9,7 GROOVED 04 | 4 |
| 9 | 54806008050 | QUICK RELEASE-SPRING HANGER | 2 |
| 10 | 77306010000 | FENDER FOR FILTER BOX | 1 |
| 15 | 77306015000 | AIR FILTER 07 | 1 |
| 16 | 77306016000 | FILTER CARRIER 4S SX 07 | 1 |
| 17 | 77306017000 | FILTER SUPPORT CPL. 07 | 1 |
| 18 | 77306018000 | FILTER SUPPORT BUSH 07 | 1 |
| 19 | 77306019000 | FASTEN. DEVICE FILTER S. SX 07 | 1 |
| 26* | 77306026000 | AIRFILTER BOOT 07 | 1 |
| 27 | 46005058000 | HOSE CLAMP 40-60MM | 1 |
| 51 | 0017060204 | EJOT PT SCREW K60X20 ALU WS=6 | x |
| 52* | 0017060203 | EJOT PT SCREW K60X20 WS=6 | 1 |
| 79 | 77304066050 | BUSHING F. CHAIN SLIDING PR.07 | 2 |

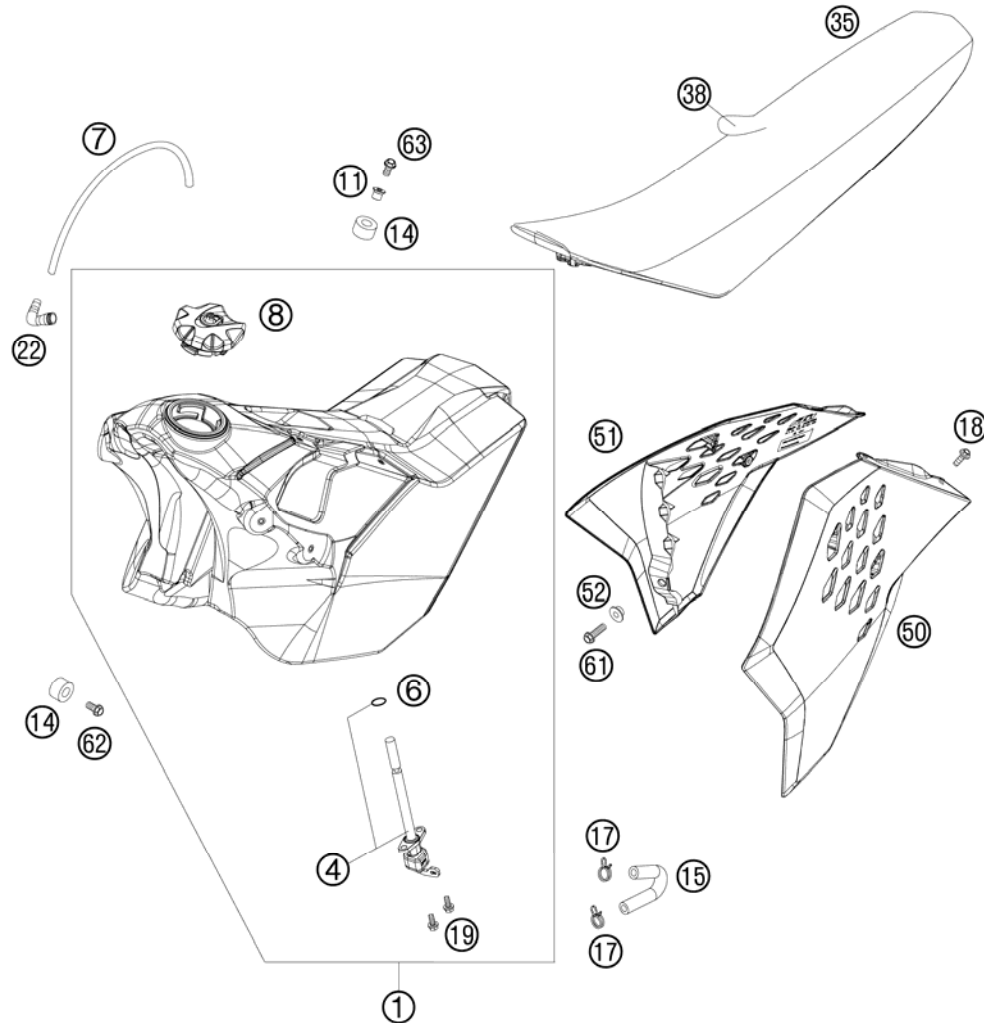
087800610 / C087730610

* NEW PART

X AS REQUIRED

TANK, SEAT, COVER

505 XC-F USA 2008

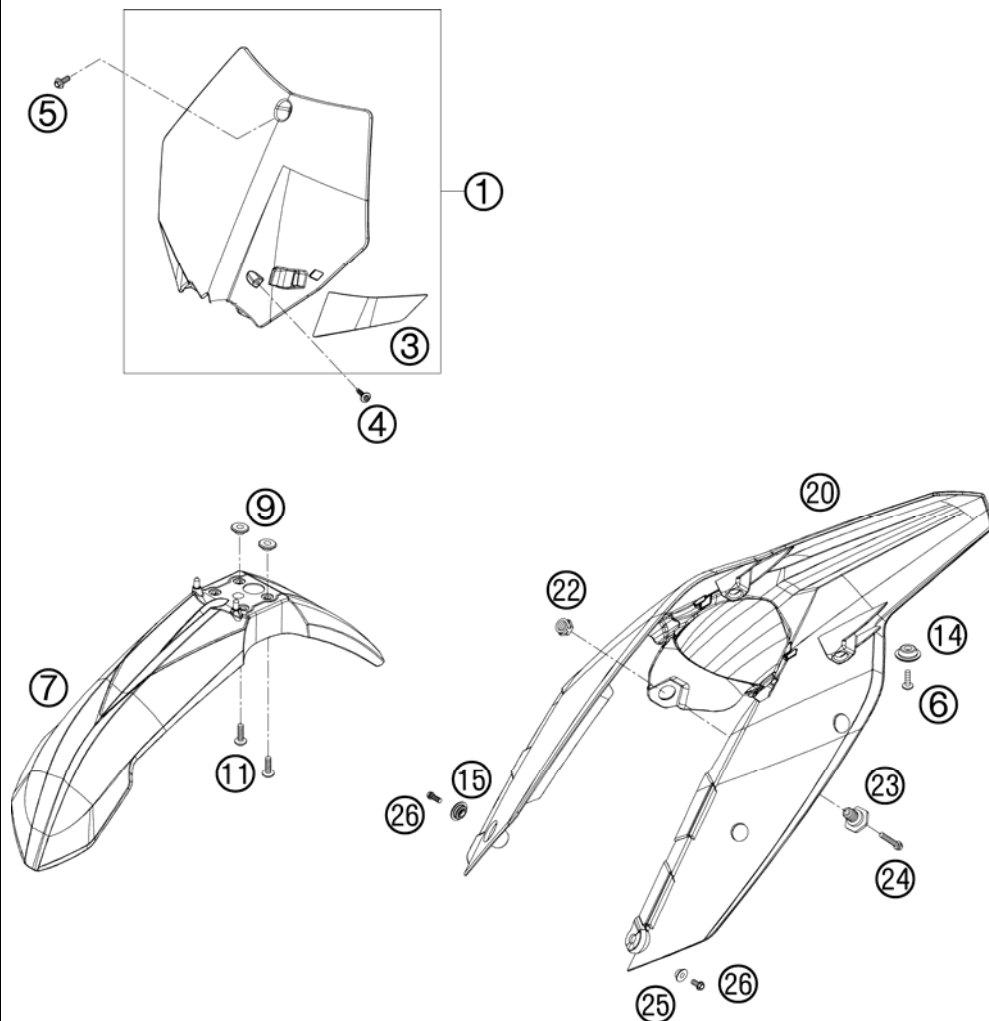


| FIG | PART NUMBER | DESCRIPTION | QTY |
|-----|----------------|-------------------------------|-----|
| 1* | 7800701306630 | FUEL TANK CPL. 9,5L EXC-F 08 | 1 |
| 4* | 78007004000 | GAS COCK ON/OFF/RES 08 | 1 |
| 6 | 0770110021 | O-RING 11X2 VITON | 1 |
| 7* | 78007000270 | PVC-HOSE 5,6X10X270MM | 1 |
| 8* | 7800700804404 | TANK PLUG CPL. XCF-W 08 | 1 |
| 11* | 77307026000 | TANK BUSHING 07 | 1 |
| 14 | 50307014000 | TANK ROLLER 12X26X12 '98 | 3 |
| 15* | 77307016000 | FUEL PREFORMED HOSE 450 SX-F | 1 |
| 17 | 58031005000 | CLAMP YDNAC 10128 12MM | 2 |
| 18 | 0017060204 | EJOT PT SCREW K60X20 ALU WS=6 | 8 |
| 19 | 0017060203 | EJOT PT SCREW K60X20 WS=6 | 2 |
| 22 | 51030022000 | ANGLE PIECE 90 DEGREE M10X1 | 1 |
| 35* | 77307040000 | SEAT SX 07 | 1 |
| 38* | 77307040050 | SEAT COVER 07 | 1 |
| 50* | 7730805000030C | SPOILER L/S BLACK XC 08 | 1 |
| 51* | 7730805100030C | SPOILER R/S BLACK XC 08 | 1 |
| 52 | 50308052000 | BUSH FOR SPOILER 6X11X16X5 MM | 2 |
| 61* | 0025060206 | HH COLLAR SCREW M6X20 TX30 | 4 |
| 62* | 0025060126 | HH COLLAR SCREW M6X12 TX30 | 2 |
| 63* | 0024060273 | COLLAR SCREW M6X27 TX | 1 |

087800711 / C087730710

* NEW PART

X AS REQUIRED



| FIG | PART NUMBER | DESCRIPTION | QTY |
|-----|---------------|-------------------------------|-----|
| 1* | 7730800704404 | NUMBER PLATE CPL. ORANGE 07 | 1 |
| 3* | 7730802200004 | BRAKE HOSE GUIDE ORANGE 07 | 1 |
| 4 | 0017060203 | EJOT PT SCREW K60X20 WS=6 | 1 |
| 5* | 0024060106 | HH COLLAR SCREW M6X10 TX30 | 1 |
| 6* | 0025050166 | HH COLLAR SCREW M5X16 TX30 | 2 |
| 7* | 7730801000004 | FRONT FENDER 07 | 1 |
| 9 | 54808020000 | SPACER BUSHING 03 | 4 |
| 11* | 0024060156 | HH COLLAR SCREW M6X15 TX30 | 4 |
| 14* | 77308013010 | COLLAR BUSH. F.REAR FENDER 07 | 2 |
| 15* | 77306001030 | COLLAR BUSHING 4,5/12,6/23 | 1 |
| 20* | 7730801300004 | REAR FENDER SX ORANGE 07 | 1 |
| 22 | 50314057050 | COLLAR NUT M12X1/WS17 H=5MM | 1 |
| 23 | 54807048000 | BUSHING FOR SEAT FASTENING 03 | 1 |
| 24* | 0025060256 | HH COLLAR SCREW M6X25 TX30 | 1 |
| 25 | 50308052000 | BUSH FOR SPOILER 6X11X16X5 MM | 1 |
| 26* | 0025060206 | HH COLLAR SCREW M6X20 TX30 | 4 |

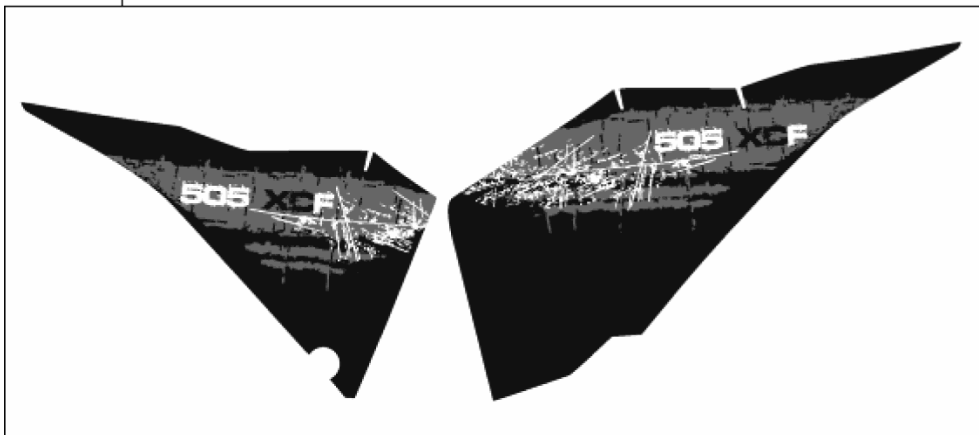
085230810 / C085230810

* NEW PART

X AS REQUIRED

| FIG | PART NUMBER | DESCRIPTION | QTY |
|-----|-------------|-------------|-----|
| 2* | 77608091100 | DECAL | 1 |

②



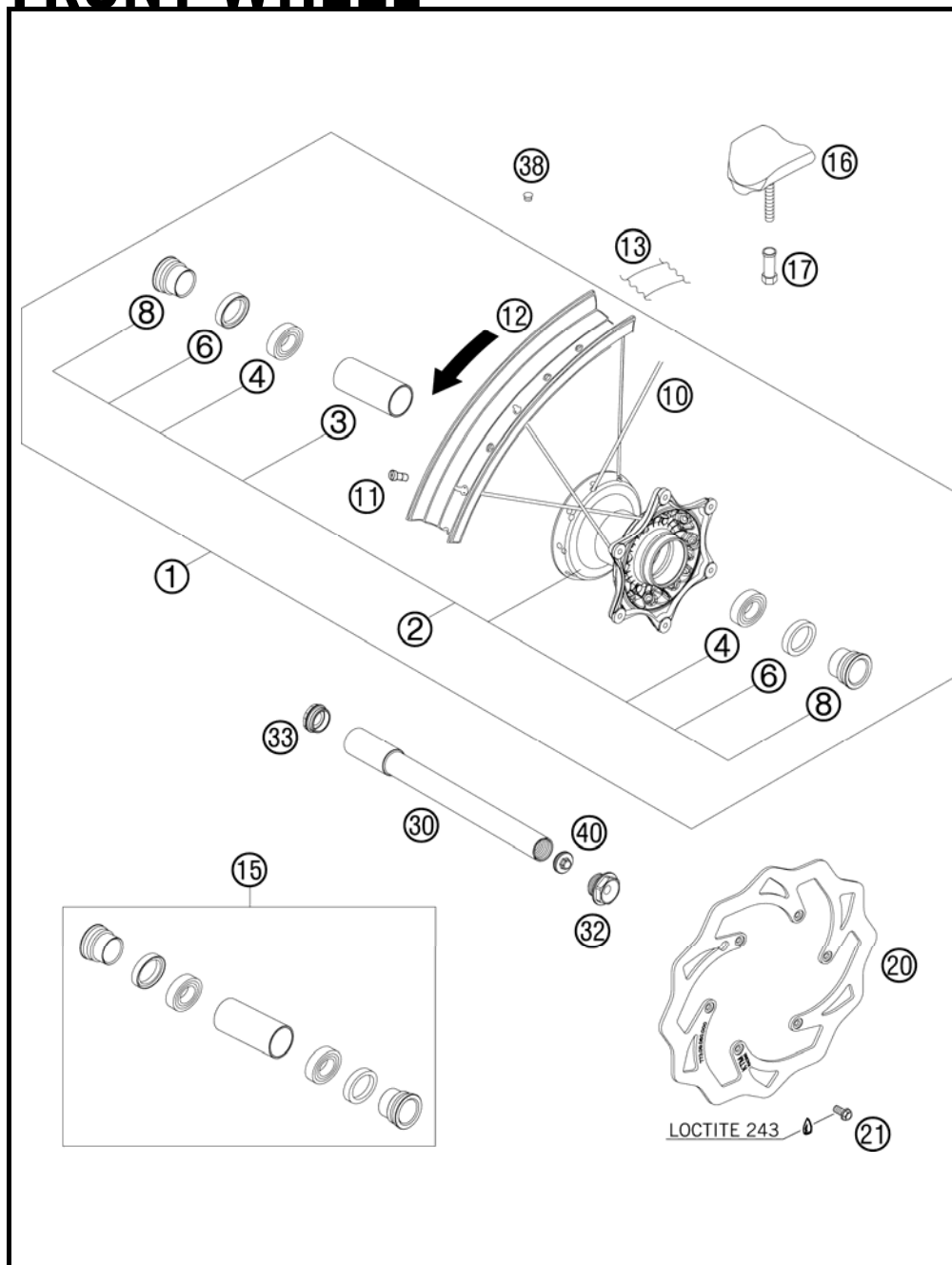
087730833 / C087730833

* NEW PART

X AS REQUIRED

FRONT WHEEL

505 XC-F USA 2008



| FIG | PART NUMBER | DESCRIPTION | QTY |
|-----|---------------|--------------------------------|-----|
| 1* | 7800900104430 | FRONT WHEEL.1,6X21"EXCEL 08 | 1 |
| 2* | 78009010044 | FRONT WHEEL HUB CPL. 08 | 1 |
| 3 | 54809011000 | BEA.SPACERTUBE 35X2 L=79,4 03 | 1 |
| 4 | 0625069068 | GR.BALL BEAR.6906 DDU2CG23S6NM | 2 |
| 6 | 0760354771 | SHAFT SEAL RING 35X47X7 TC | 2 |
| 8* | 78009012000 | SPACER BUSHING F. FR. WHEEL 08 | 2 |
| 10* | 78009074226 | SPOKE M4,5X226-21" 08 | 36 |
| 11* | 50309072100 | SPOKE NIPPLE M4,5X0,75 8X21 | 36 |
| 12 | 5480907000030 | FRONT RIM 1,6X21" EXCEL AL7 | 1 |
| 13 | 50309073000 | RIM BAND 21" | 1 |
| 15* | 78009015000 | FRONT WHEEL REP. KIT | x |
| 16 | 51009100100 | RIM LOCK VM1 (1,60") | 1 |
| 17 | 50310090050 | NUT FOR WHEEL HOLDER '96 | 1 |
| 20 | 77309060000 | BRAKE DISC FRONT 260 | 1 |
| 21 | 59009062013 | SPECIAL SCREW M6X13 WS=8 10.9 | 6 |
| 30 | 77309081000 | WHEEL SPIN.FR. D=26 M24x1,5 07 | 1 |
| 32 | 54809082000 | SPINDLE SCREW M24X1,5 WS=27 03 | 1 |
| 33 | 54809081050 | PLUG BUSHING WS=27 03 | 1 |
| 38 | 55003135000 | PLUG FOR RIM | x |
| 40 | 54809081070 | AUXILIARY SCREW FRONT 06 | 1 |

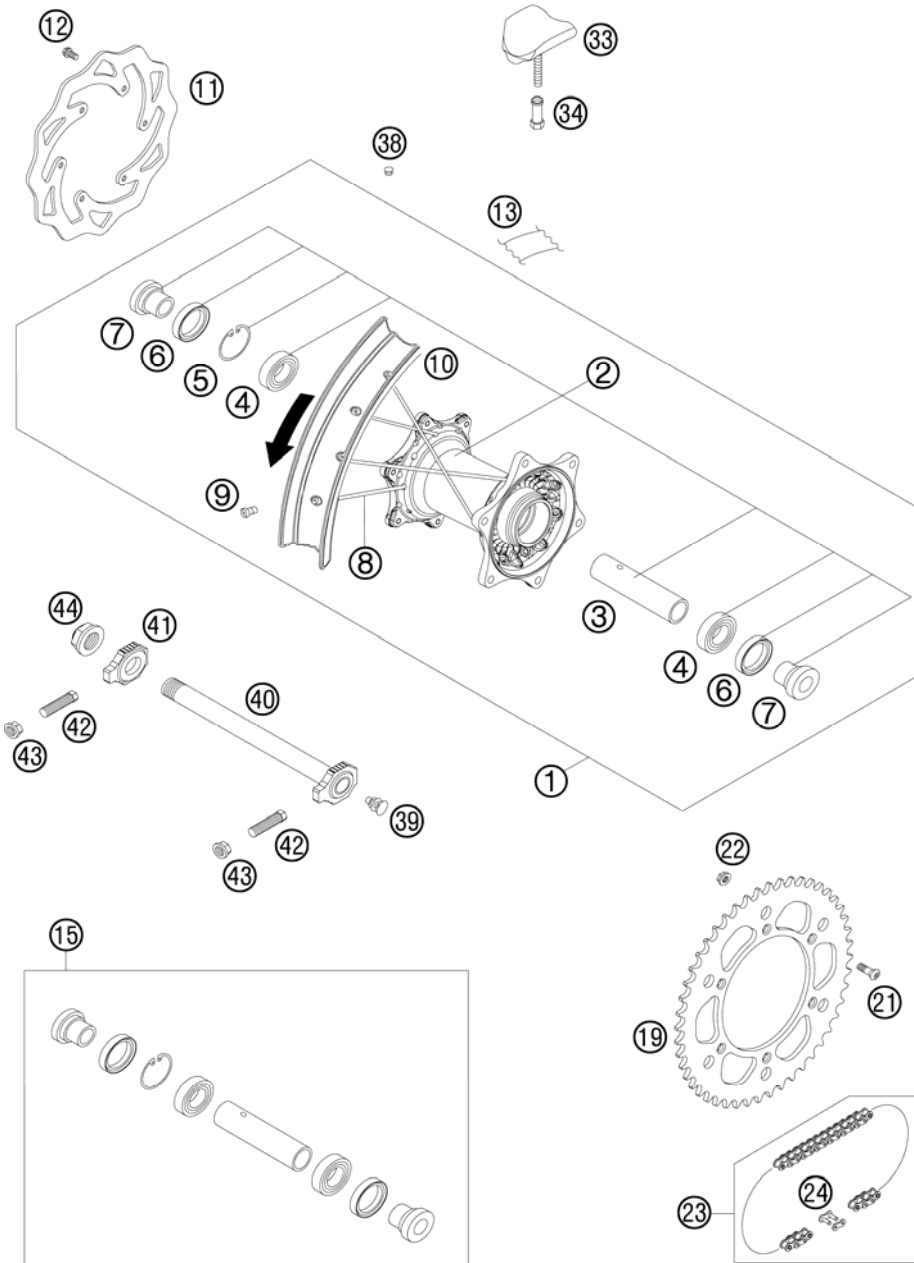
085230910 / C085230910

* NEW PART

X AS REQUIRED

REAR WHEEL

505 XC-F USA 2008



| FIG | PART NUMBER | DESCRIPTION | QTY |
|-----|---------------|--------------------------------|-----|
| 1* | 7801000104430 | REAR WHEEL 2,15X18"EXCEL 08 | 1 |
| 2* | 78010010044 | REAR HUB CPL. 08 | 1 |
| 3 | 59010011000 | BUSHING SPACER TUBE 121,5MM 01 | 1 |
| 4 | 0625060058 | GR.BALL BEAR.6005 DDU2CG23S6NM | 2 |
| 5 | 0472047175 | CIRCLIP DIN0472-47X1,75 | 1 |
| 6 | 0760324771 | SHAFT SEAL RING 32X47X7 BSL | 2 |
| 7* | 78010016000 | BUSHING FOR HUB 08 | 2 |
| 8* | 78010074193 | SPOKE M5X193- 18" 08 | 36 |
| 9* | 58309072100 | SPOKE NIPPLE M5-TA 8X21MM | 36 |
| 10 | 5481007000030 | REAR RIM 2,15X18" EXCEL AL7 | 1 |
| 11 | 77310060000 | BRAKE DISC REAR 220 | 1 |
| 12 | 59009062013 | SPECIAL SCREW M6X13 WS=8 10.9 | 6 |
| 13 | 50310073200 | RIM BAND 18" AND 19" | 1 |
| 15* | 78010015000 | REAR WHEEL REP. KIT | x |
| 19 | 58310051038 | REAR SPROCKET 38-T | x |
| 19 | 58310051042 | REAR SPROCKET 42-T | x |
| 19 | 58310151040 | REAR SPROCKET 40-T | x |
| 19 | 58310151045 | REAR SPROCKET 45-T | x |
| 19 | 58310151048 | REAR SPROCKET 48-T | x |
| 19 | 58310151049 | REAR SPROCKET 49-T | x |
| 19 | 58310151050 | REAR SPROCKET 50-T | x |
| 19 | 58310151051 | REAR SPROCKET 51-T | x |
| 19 | 58310151052 | REAR SPROCKET 52-T | x |
| 21* | 0019080266S | COUNTER-SUNK SCREW ISA45 M8X26 | 6 |
| 22 | 54310086200 | SELF LOCKING NUT M8 10.9 | 6 |
| 23 | 50310165118 | CHAIN 5/8X1/4" MX | 1 |
| 23 | 50310800118 | CHAIN Z-RING 5/8X1/4" | 1 |
| 24 | 50310166000 | CONNECTING LINK F. 50310165118 | 1 |
| 24 | 50310366000 | CONNECTING LINK F. 50310800118 | 1 |
| 24 | 50310866000 | MASTER LINK FOR 50310800118 | 1 |
| 33 | 54010100100 | RIM LOCK VM3 (2.15") | 2 |
| 34 | 50310090050 | NUT FOR WHEEL HOLDER '96 | 2 |
| 38 | 55003135000 | PLUG FOR RIM | x |
| 39 | 50210086000 | COVERING CAP SFL16 | x |
| 40 | 77310085044 | WHEEL SPINDLE RE. CPL.265MM 07 | 1 |
| 41 | 50310084000 | CHAIN TENSIONER R/S 2000 | 1 |

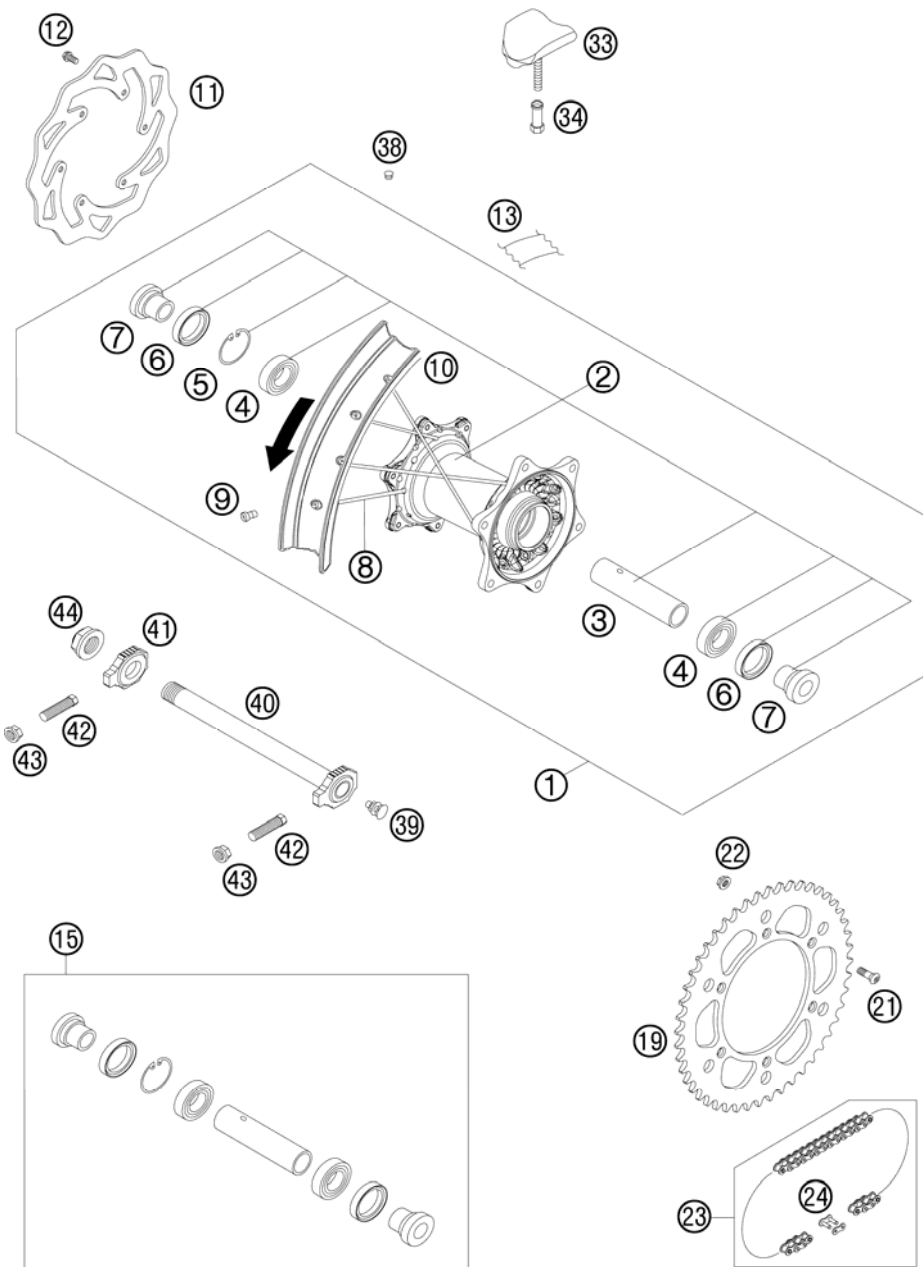
085481010 / C087731010

* NEW PART

X AS REQUIRED

REAR WHEEL

505 XC-F USA 2008

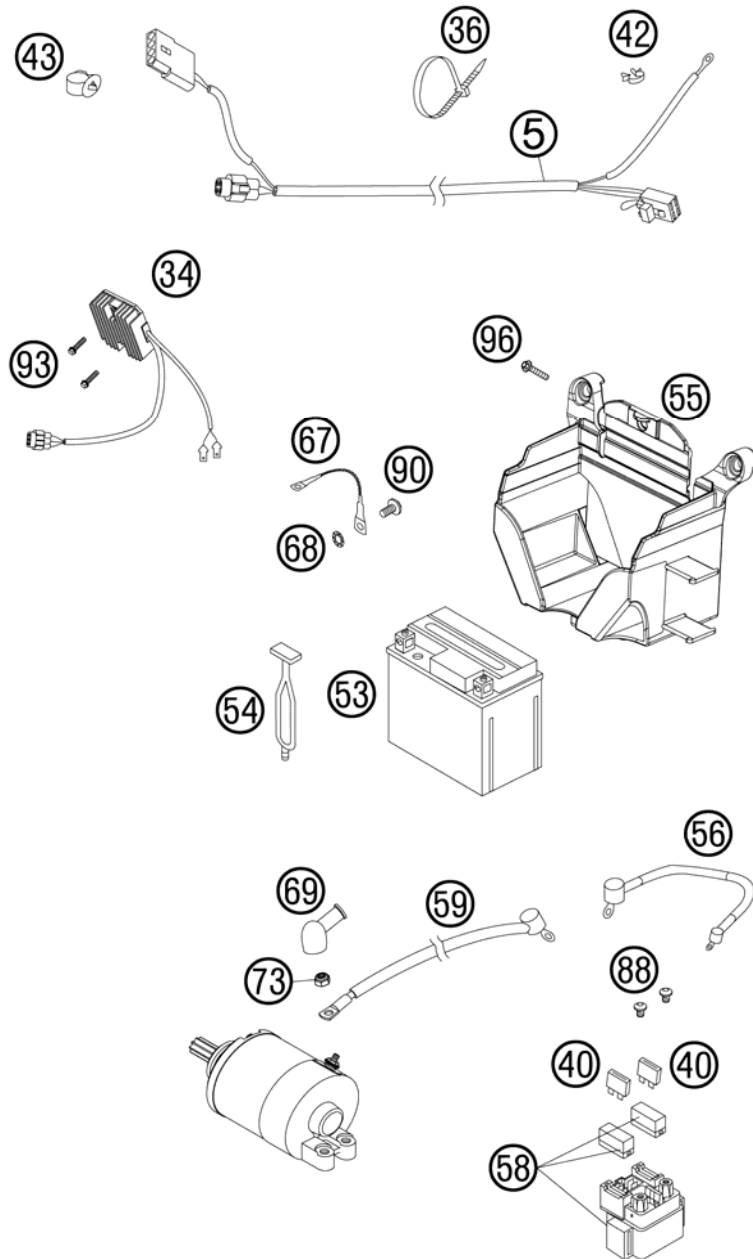


| FIG | PART NUMBER | DESCRIPTION | QTY |
|-----|-------------|------------------------------|-----|
| 42 | 50304040100 | SCREW M10X1,25X50 WS=10 | 2 |
| 43 | 58414030000 | HH COLLAR NUT M10X1,25 WS=13 | 2 |
| 44 | 50310099000 | HEXAGON NUT M20X1,5 '98 | 1 |

085481010 / C087731010

* NEW PART

X AS REQUIRED



| FIG | PART NUMBER | DESCRIPTION | QTY |
|-----|-------------|--------------------------------|-----|
| 5* | 77311075000 | MAIN WIRING HARNESS 450 SX-F | 1 |
| 34* | 77311034000 | VOLTAGE REGULATOR "RS 2759 "06 | 1 |
| 36 | 44011076200 | CABLE TIE 200/3,6MM BLACK | x |
| 36 | 44011076305 | CABLE TIE 300/4,8MM BLACK | x |
| 40 | 58011109110 | FUSE 10 A 2000 | 2 |
| 42 | 57013072100 | WIRING HOLDER 16MM | x |
| 43 | 58111076000 | CABLE SUPPORT KHS NR.150-47610 | 2 |
| 53 | 58511053000 | BATTERY 12V 4(5)AH TX5L-BS | 1 |
| 54 | 50303018000 | RUBBER L=145MM | 2 |
| 55* | 78011055000 | BATTERY CASING | 1 |
| 56 | 58711086000 | WIRING HARNESS BATTERY DUKE'99 | 1 |
| 58 | 58211058000 | STARTER RELAY 12V '99 | 1 |
| 59 | 58411059100 | STARTER CABLE 700 MM '97 | 1 |
| 67 | 58411097100 | GROUND CABLE D=6MM L=140MM '97 | 1 |
| 68 | 58411098100 | CONTACT WASHER M6 VSV-K6 | 1 |
| 69 | 58440099000 | PROTECTION CAP F. STARTER ENG. | 1 |
| 73 | 0985060003 | SELF LOCK. NUT DIN0985-M 6 | 1 |
| 88 | 0902060083 | AH OVAL SCREW ISO 7380 M 6X8 | 2 |
| 90* | 0024060106 | HH COLLAR SCREW M6X10 TX30 | 1 |
| 93* | 0025060206 | HH COLLAR SCREW M6X20 TX30 | 2 |
| 96 | 0017060203 | EJOT PT SCREW K60X20 WS=6 | 3 |

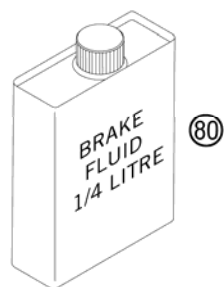
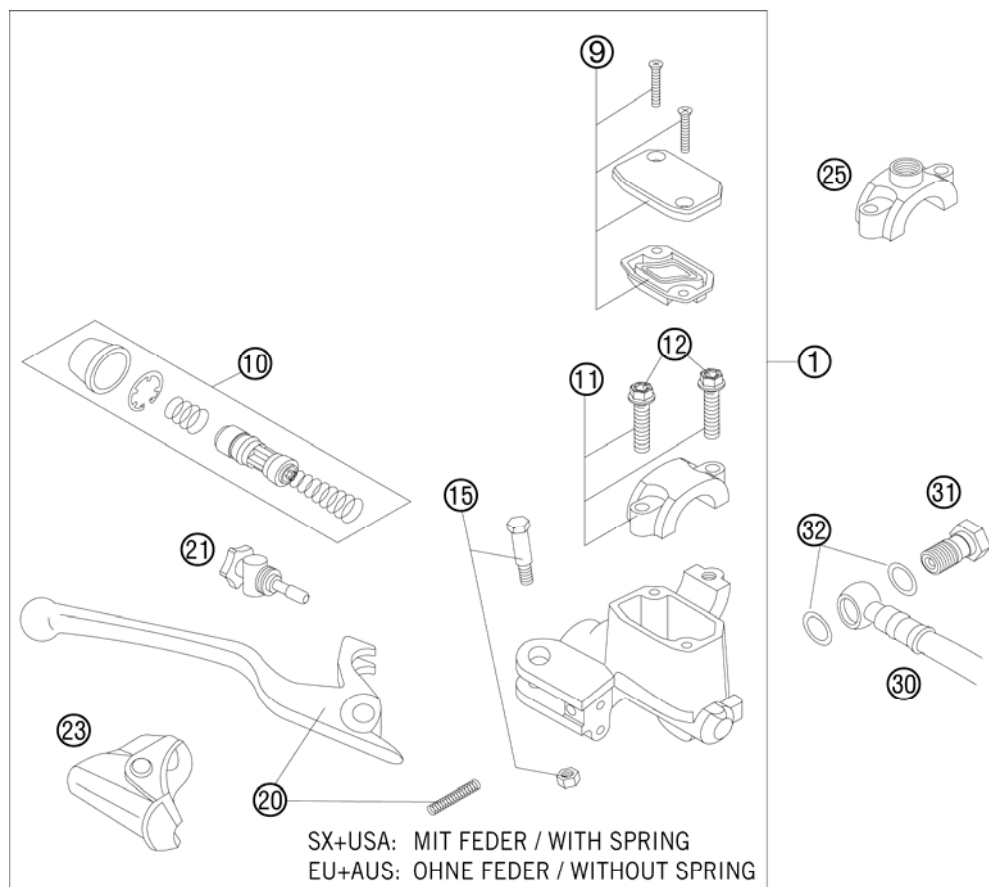
087731110 / C087731110

* NEW PART

X AS REQUIRED

HAND BRAKE CYLINDER

505 XC-F USA 2008

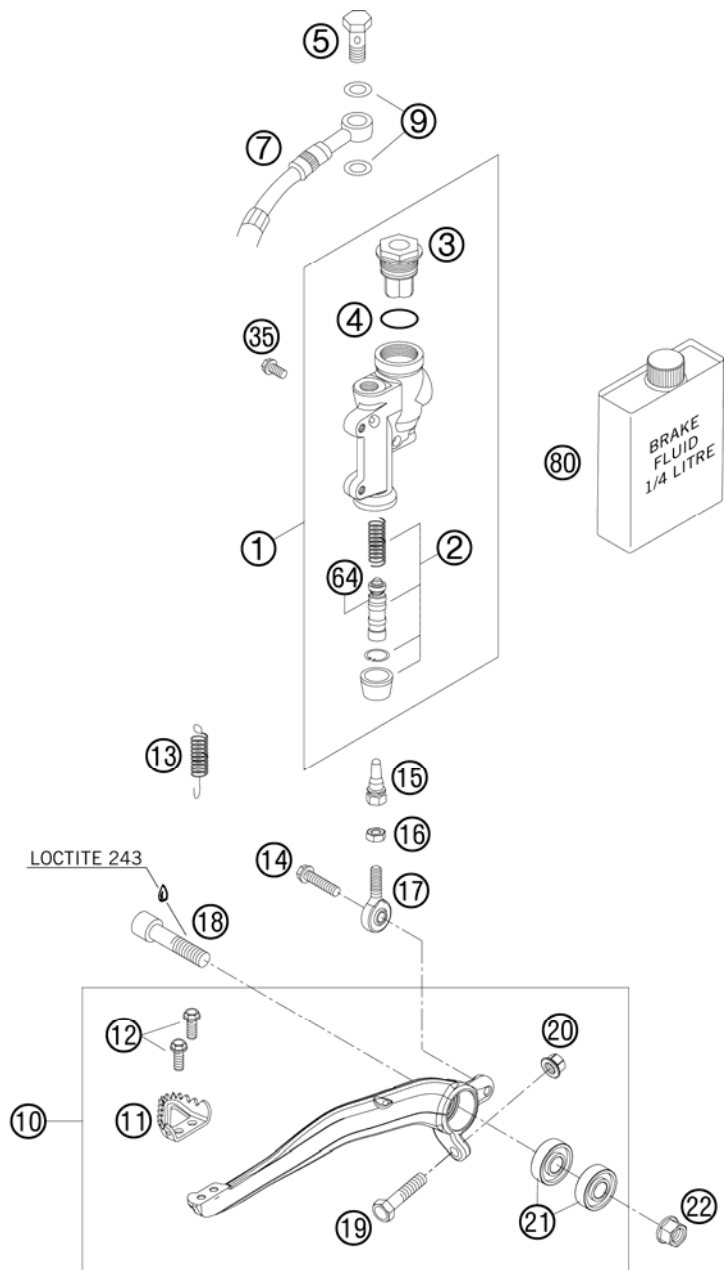


| FIG | PART NUMBER | DESCRIPTION | QTY |
|-----|-------------|--------------------------------|-----|
| 1 | 54813001200 | HAND BRAKE CYLINDER CPL. SX 06 | 1 |
| 9 | 50313003000 | HANDBRAKE CYL.COVER CPL.NATURE | 1 |
| 10 | 54813008200 | REP.SET PISTON D=10MM 2006 | 1 |
| 11 | 50313005000 | CLAMP CPL. NATURE | 1 |
| 12* | 0025060256 | HH COLLAR SCREW M6X25 TX30 | 2 |
| 15 | 50313006100 | LEVER SCREW CPL. 2001 | 1 |
| 20 | 54813002100 | HAND BRAKE LEVER + SPRING 2006 | 1 |
| 21 | 54813007200 | ADJUSTING SCREW CPL. EXC 2006 | 1 |
| 23 | 50313004000 | PROTECTION CAP HAND BRAKE CYL. | 1 |
| 25 | 58012040150 | CLAMP FOR MIRROR '94 | x |
| 30 | 59013011000 | BRAKEHO. FRONT 1300MM 2000 | 1 |
| 31 | 50213025000 | HOLLOW SCREW M10X1X19 | 1 |
| 32 | 0603100141 | COPPER GASKET DIN7603-10X14X1 | 2 |
| 80 | 00062030000 | BRAKE FLUID DOT5.1 0,25L | 1 |

085481300 / C085231310

* NEW PART

X AS REQUIRED



| FIG | PART NUMBER | DESCRIPTION | QTY |
|-----|-------------|-------------------------------|-----|
| 1 | 54813060100 | REAR BRAKE CYLINDER CPL. 2004 | 1 |
| 2 | 54813061200 | REPAIR KIT PISTON 13MM 06 | 1 |
| 3 | 54813062100 | REAR BRAKE CYL. COVER CPL. 04 | 1 |
| 4 | 54813063000 | FOOT-BRAKE CYL. GASKET SX 03 | 1 |
| 5 | 54813020100 | HOLLOW SCREW BLACK M10X19 | 1 |
| 7 | 54813070000 | BRAKE HOSE REAR 655MM 03 | 1 |
| 9 | 0603100141 | COPPER GASKET DIN7603-10X14X1 | 2 |
| 10* | 77313050044 | FOOT BRAKE LEVER CPL. 07 | 1 |
| 11 | 54813051000 | STEP PLATE FOR BRAKE LEVER | 1 |
| 12* | 0025050126 | HH COLLAR SCREW M5x12 TX30 | 2 |
| 13 | 54603062000 | RETURN SPRING FOR BRAKE LEVER | 1 |
| 14* | 0025060206 | HH COLLAR SCREW M6X20 TX30 | 1 |
| 15 | 54813056000 | PUSH ROD L=28MM 03 | 1 |
| 16 | 0934060003 | HEXAGON NUT DIN0934-M 6 | 1 |
| 17 | 54813055000 | SWIVEL HEAD KA6 03 | 1 |
| 18 | 0912100406 | AH SCREW DIN6912 M10X40 10.9 | 1 |
| 19 | 59001037000 | SPECIAL SCREW M8X26 WS=10 | 1 |
| 20 | 46030045000 | COLLAR NUT M8 WS=10 | 1 |
| 21 | 0625060002 | BALL BEARING SKF 6000-2RS1 | 2 |
| 22 | 54630044000 | COLLAR NUT M10 WS=13 | 1 |
| 35* | 0025060126 | HH COLLAR SCREW M6X12 TX30 | 2 |
| 64 | 54813064200 | BELLOWS FOR REPAIR KIT 06 | 1 |
| 80 | 00062030000 | BRAKE FLUID DOT5.1 0,25L | 1 |

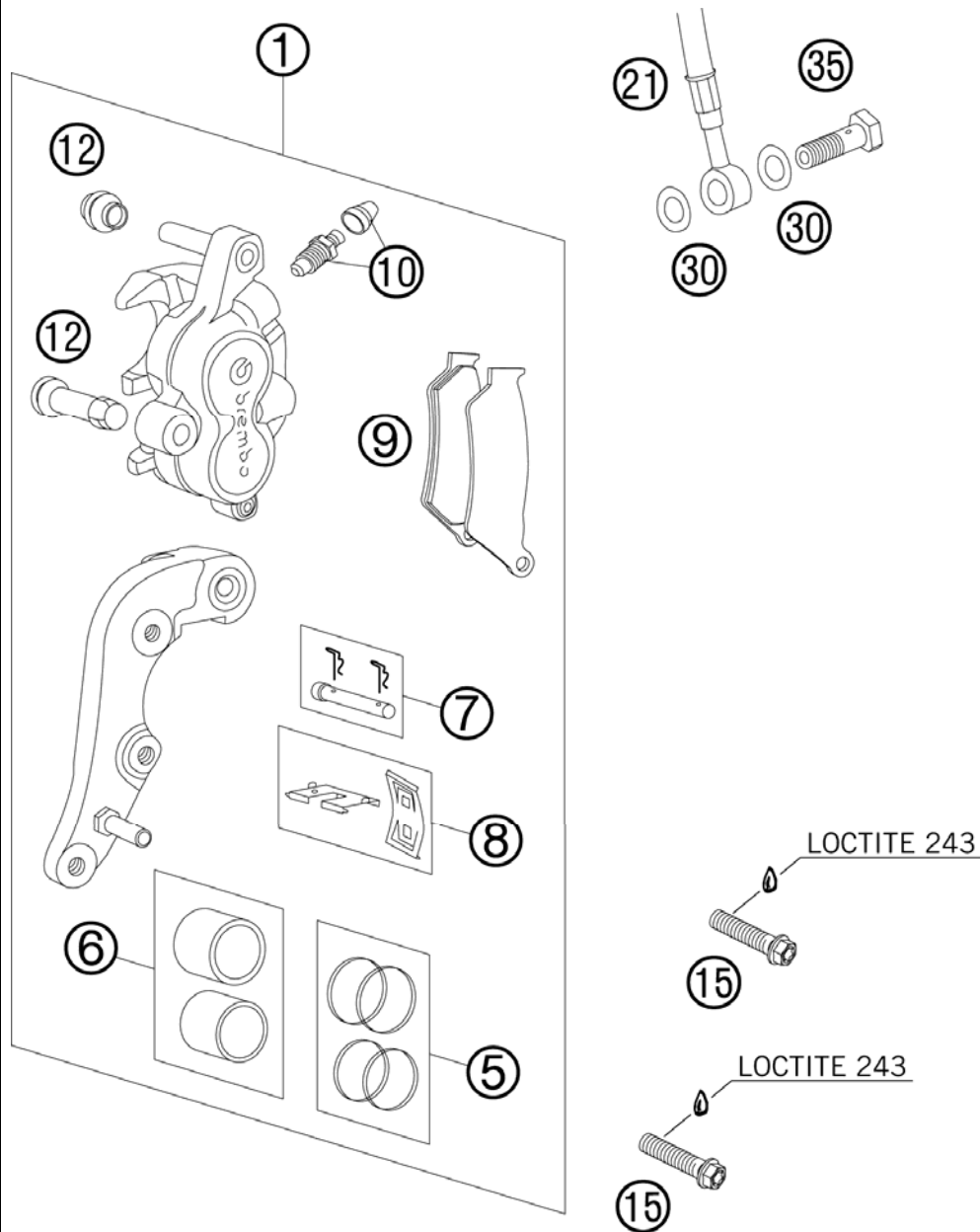
085031330 / C085231330

* NEW PART

X AS REQUIRED

BRAKE CALIPER FRONT

505 XC-F USA 2008



| FIG | PART NUMBER | DESCRIPTION | QTY |
|-----|-------------|--------------------------------|-----|
| 1 | 59013015144 | BRAKECALIPER FRONT BREMBO 2000 | 1 |
| 5 | 54613205000 | REPAIR KIT 28MM | 1 |
| 6 | 54613206000 | REPAIR KIT PISTON 28MM | 1 |
| 7 | 54613210100 | BOLT CPL. 6X56 | 1 |
| 8 | 54613212000 | RETAINING PLATE SET BREMBO | 1 |
| 9 | 50313030200 | BRAKEP.SET FR.TOSHIBA TT2701HH | 1 |
| 10 | 60013020000 | BLEEDER SCREW WITH CAP | 1 |
| 12 | 54613218000 | CUP SET SHORT | 1 |
| 15* | 0025080356S | HH COLLAR SCREW M8X35 TX40 | 2 |
| 21 | 59013011000 | BRAKEHO. FRONT 1300MM 2000 | 1 |
| 30 | 0603100141 | COPPER GASKET DIN7603-10X14X1 | 2 |
| 35 | 50213025000 | HOLLOW SCREW M10X1X19 | 1 |

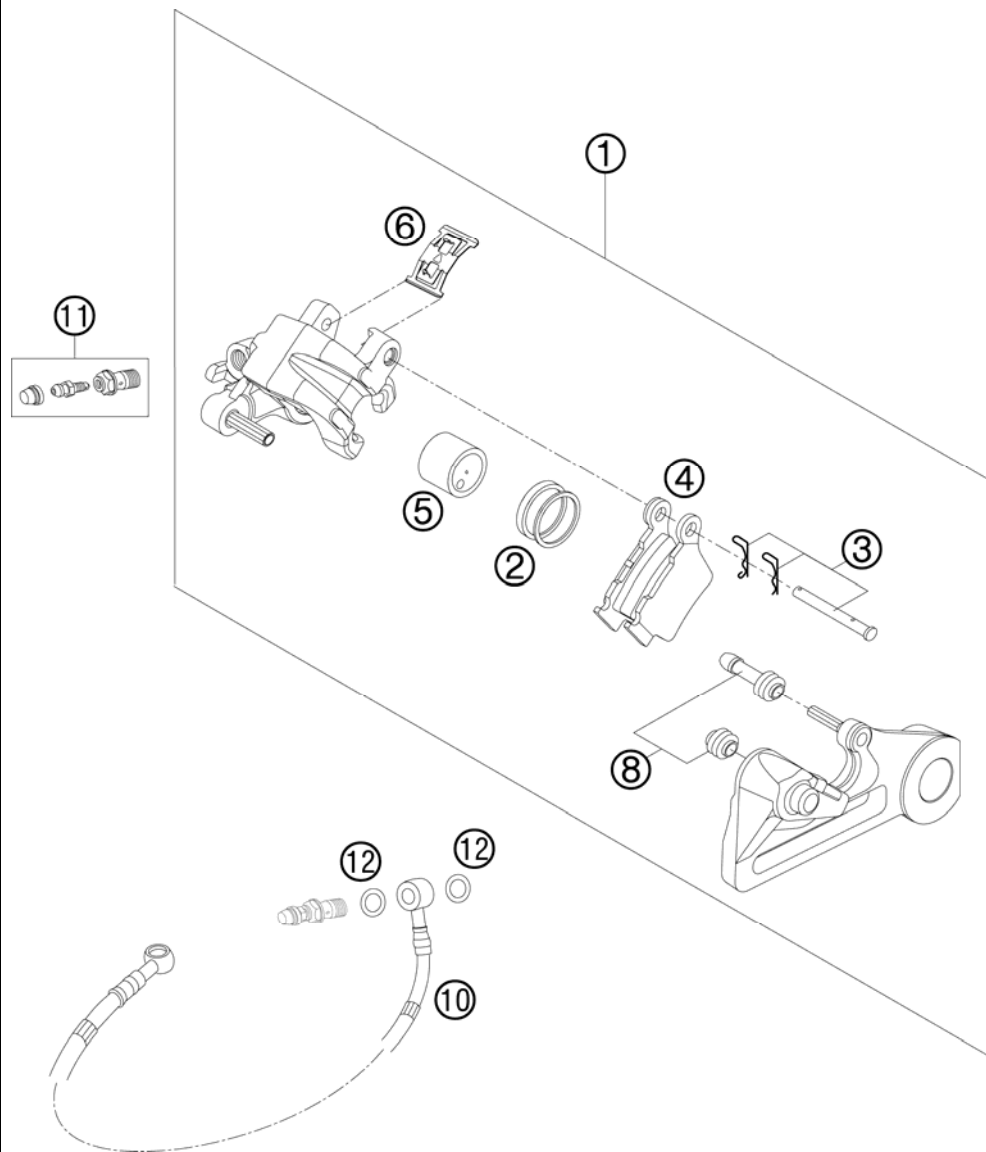
085031360 / C085231360

* NEW PART

X AS REQUIRED

BRAKE CALIPER REAR

505 XC-F USA 2008



| FIG | PART NUMBER | DESCRIPTION | QTY |
|-----|-------------|-------------------------------|-----|
| 1 | 54813080144 | BRAKE CALIPER REAR CPL. 2005 | 1 |
| 2 | 50313081200 | REPAIR KIT SEALING RINGS 26MM | 1 |
| 3 | 54813082000 | BOLT SET FOR BRAKE CALIPER 03 | 1 |
| 4 | 54813090300 | BRAKE PAD SET REAR TOYO | 1 |
| 5 | 54813083000 | BRAKE PISTON 26MM 2003 | 1 |
| 6 | 54813018000 | RETAINING SPRING SET 2003 | 1 |
| 8 | 54613218000 | CUP SET SHORT | 1 |
| 10 | 54813070000 | BRAKE HOSE REAR 655MM 03 | 1 |
| 11 | 54813020000 | BLEEDER HOLLOW SCREW M10X1 | 1 |
| 12 | 0603100141 | COPPER GASKET DIN7603-10X14X1 | 2 |

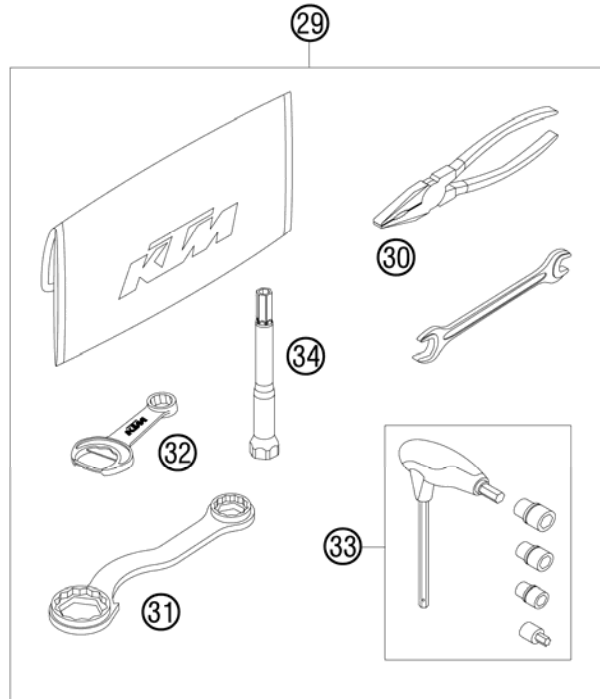
085481390 / C085481390

* NEW PART

X AS REQUIRED

①
OHNE ABBILDUNG
WITHOUT ILLUSTRATION

①
TECHNISCHE DOKUMENTATION
TECHNICAL DOCUMENTATION
DOCUMENTACION TECNICA
DOCUMENTATION TECHNIQUE
NOTE TECNICHE



| FIG | PART NUMBER | DESCRIPTION | QTY |
|-----|---------------|--------------------------------|-----|
| 0 | 312305 | DOCUMENTS BAG 2006 | 1 |
| 0 | 312313 | KTM BALLPOINT ORANGE | 1 |
| 0 | 3210039 | CUSTOMER WELCOME LETTER | 1 |
| 0 | 5030314013390 | FOOTREST L.+R. CPL. 03 | 1 |
| 0 | 58511053000 | BATTERY 12V 4(5)AH TX5L-BS | 1 |
| 0 | 7700207900004 | HAND GUARDS CPL.L/S+R/S OR. 06 | 1 |
| 0 | 77303192000 | PROTECTIVE FILM FRAME LEFT 07 | 1 |
| 0 | 77303193000 | PROTECTIVE FILM FRAME RIGHT 07 | 1 |
| 1 | 3211227 | OWNERS MAN.405/505SX-F/XC-F 08 | 1 |
| 1 | 3CF8575H1EN | SPM CHASSIS 505 XC-F USA 2008 | 1 |
| 1 | 3CM089452HEN | SPC ENGINE 505 XC-F 2008 | 1 |
| 29 | 77329099000 | BORDTOOL 07 | 1 |
| 30 | 53012028200 | GRIP ORANGE B&F | 1 |
| 31 | 50329080000 | WRENCH WS=17/21/27/32 | 1 |
| 32 | 50329071000 | WRENCH WS=13/17 | 1 |
| 33 | 60029070200 | T-WRENCH WS=6/8/10 TX=45 B&F | 1 |
| 34 | 77329072000 | SPARK PLUG WRENCH | 1 |

087732000 / C087732003

* NEW PART

X AS REQUIRED





KTM-Sportmotorcycle AG
A-5230 Mattighofen
www.ktm.at

KTM Group Partner



3CF8575H1EN



Art.Nr.: 3CF8575H1EN 5/2007