

250 EXC-F 2009

SPARE PARTS MANUAL: ENGINE

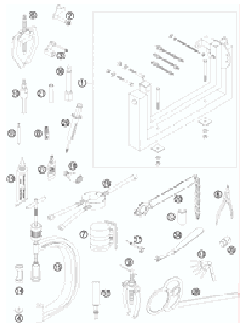
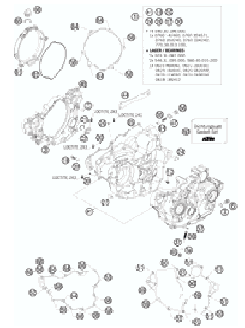
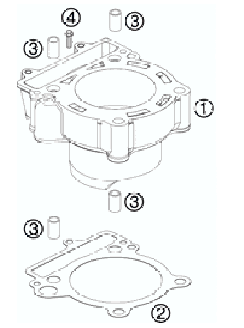
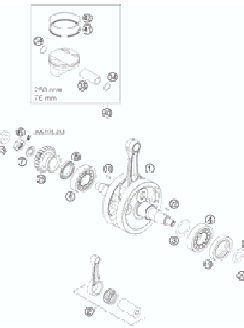
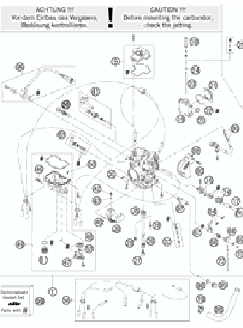
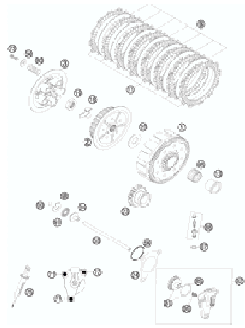
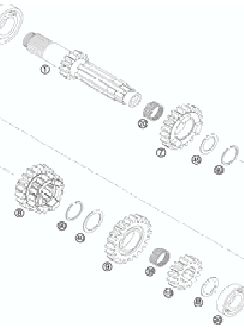
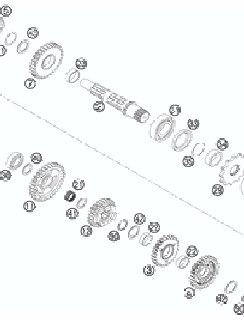

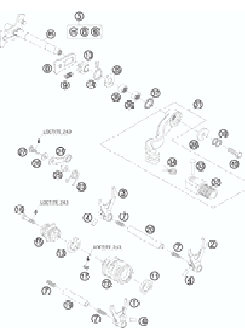
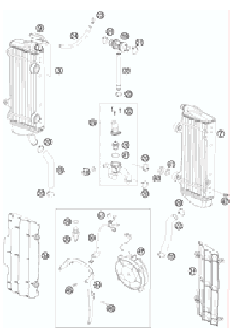
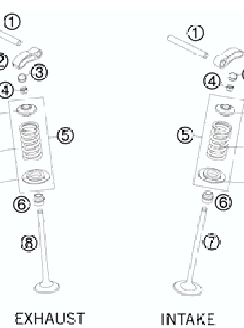
ART.NO.: 3CM089311IEN

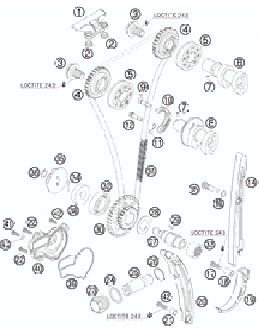
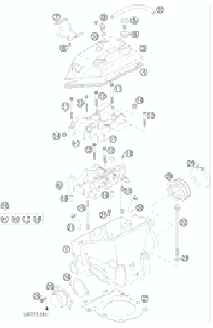
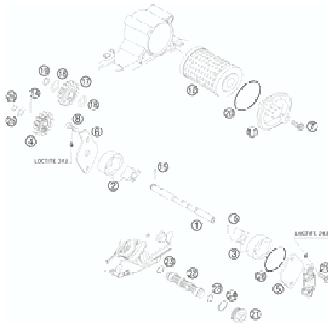
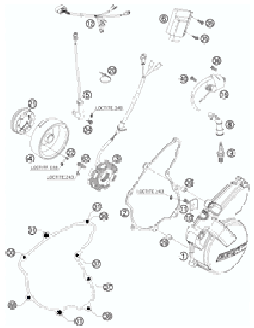
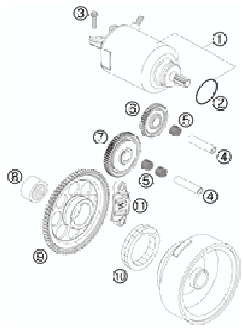
ENGLISH



INDEX

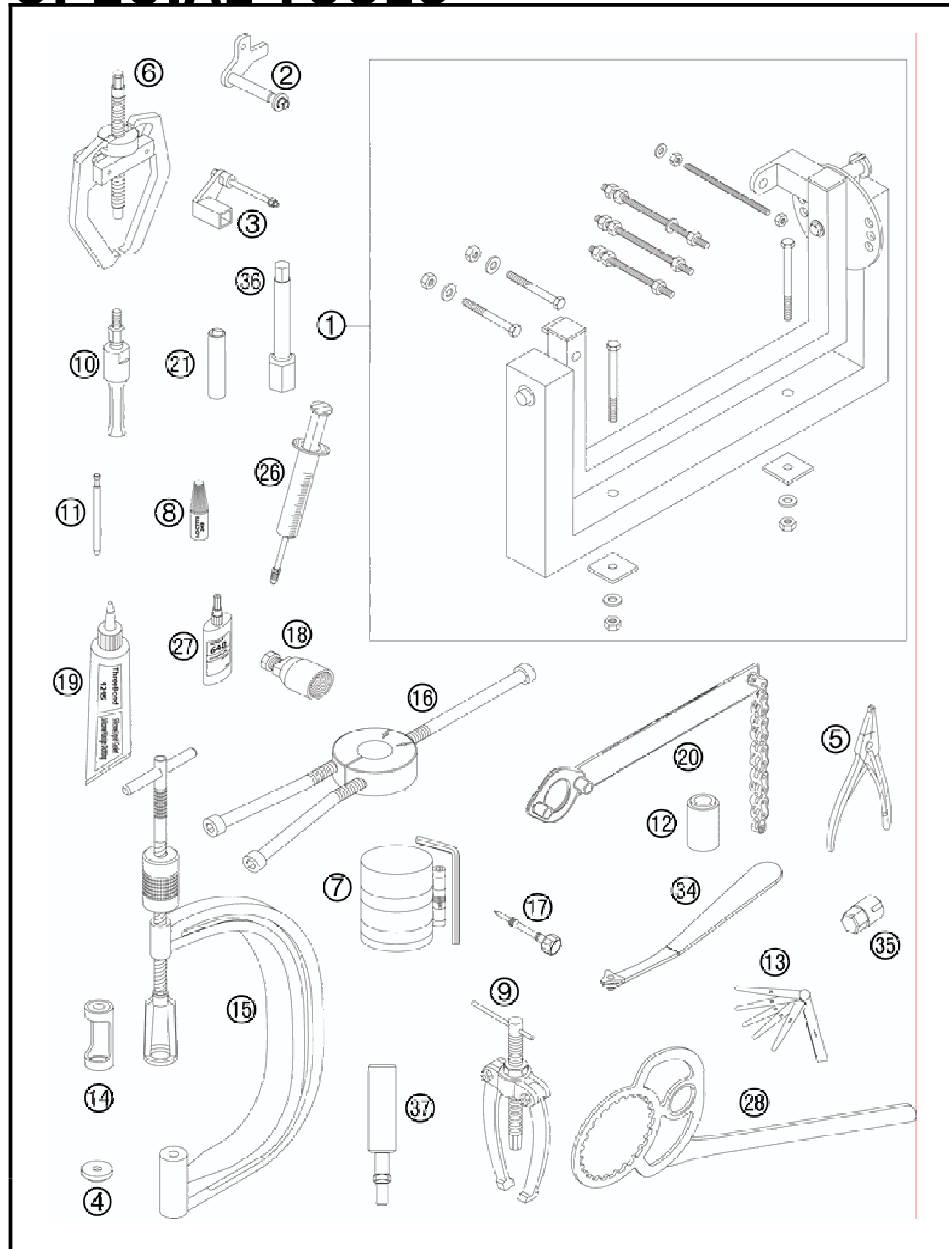
250 EXC-F 2009

| | | | |
|---|---|---|---|
| <p>SPECIAL TOOLS</p>  <p>3</p> | <p>ENGINE CASE</p>  <p>4</p> | <p>CYLINDER</p>  <p>6</p> | <p>CRANKSHAFT, PISTON</p>  <p>7</p> |
| <p>CARBURETOR</p>  <p>8</p> | <p>CLUTCH</p>  <p>11</p> | <p>TRANSMISSION I</p>  <p>12</p> | <p>TRANSMISSION II</p>  <p>13</p> |
| <p>KICK STARTER</p>  <p>14</p> | <p>SHIFTING MECHANISM</p>  <p>15</p> | <p>COOLING SYSTEM</p>  <p>16</p> | <p>VALVE DRIVE</p>  <p>EXHAUST INTAKE</p> <p>17</p> |

| | | | |
|---|--|---|--|
| <p>TIMING DRIVE</p>  <p>18</p> | <p>CYLINDER HEAD</p>  <p>20</p> | <p>LUBRICATING SYSTEM</p>  <p>21</p> | <p>IGNITION SYSTEM</p>  <p>22</p> |
| <p>ELECTRIC STARTER</p>  <p>23</p> | <div style="display: flex; align-items: center;"> <div style="background-color: #cccccc; padding: 20px; margin-right: 20px; font-size: 48px; font-weight: bold;">!</div> <div> <p>All information contained is without obligation. KTM-Sportmotorcycle AG particularly reserves the right to modify any equipment, technical specifications, prices, colors, shapes, materials, services, service work, constructions, equipment and the like so as to adapt them to local conditions or to cancel any of the above items, all without previous announcement and without giving reasons. KTM may stop manufacturing certain models without previous notice. KTM shall not be held liable for any deviations of availability and/or ability to deliver, illustrations, descriptions, printing and/or other errors. The illustrated models partly contain extra equipment, which is not applied to standard models. © by KTM-SPORTMOTORCYCLE AG, Mattighofen AUSTRIA; All rights reserved; Reprint, also in extracts, with written allowance of KTM-SPORTMOTORCYCLE AG, Mattighofen only.</p> </div> </div> | | |

SPECIAL TOOLS

250 EXC-F 2009



| FIG | PART NUMBER | DESCRIPTION | QTY |
|-----|-------------|--------------------------------|-----|
| 1 | 56012001000 | ASSY SUPPORT (WITHOUT HOLDER) | 1 |
| 2 | 77029002000 | FIXING ARM FRONT | 1 |
| 3 | 77029003000 | FIXING ARM REAR | 1 |
| 4 | 77029035000 | PROTECTION CAP FOR CAMSHAFT | 1 |
| 5 | 51012011000 | SPECIAL CIRCLIP PLIER | 1 |
| 6 | 59029033000 | EXTRACTOR FOR TIMING GEAR | 1 |
| 7 | 60029015000 | PISTON RING COMPRESSOR CPL. 03 | 1 |
| 8 | 6899785 | LOCTITE 243 BLUE 6CCM | 1 |
| 9 | 15112017000 | BUSHING EXTRACTOR | 1 |
| 10 | 15112018000 | INTERN.BEAR.PULLER 12-16 MM | 1 |
| 10 | 15112018100 | INTERN.BEAR.PULLER 18-23 MM | 1 |
| 10 | 15112018200 | INTERN.BEAR.PULLER 5-7 MM | 1 |
| 11 | 77029026000 | LIMIT PLUG GAUGE F.VALVE GUIDE | 1 |
| 12 | 60029043040 | SEAL.RING PRESS PUNCH WAT.PUMP | 1 |
| 13 | 59029041000 | FEEL. GAUGE SET 10,12,15,20,25 | 1 |
| 14 | 77029041000 | INSERT FOR VALVE SPRING LEVER | 1 |
| 15 | 59029019000 | VALVE SPRING LEVER | 1 |
| 16 | 58429037037 | MOUNTING TOOL INNER RING NJ206 | 1 |
| 17 | 59031017200 | MIXT. CONTROL SCREW FACTORY 04 | 1 |
| 18 | 58012009000 | FLYWHEEL EXTRACTOR | 1 |
| 19 | 309098 | SILICON GASKET THREE-BOND | 1 |
| 20 | 51012012000 | HOLDING SPANNER FOR SPROCKET | 1 |
| 21 | 60029073000 | SPARK PLUG WRENCH 16MM 1/2INCH | 1 |
| 26 | 50329050000 | VENT INJEKTION HYDR. CLUTCH | 1 |
| 27 | 58429059000 | LOCTITE 648 GREEN 24ML | 1 |
| 28 | 50329003000 | HOLD. PLATE CLUTCH 125/200 '98 | 1 |
| 34 | 77329034000 | WRENCH F.MIXTURE CONTROL SCREW | 1 |
| 35 | 77329081000 | SP. WRENCH F.HOSE CONNECTOR 07 | 1 |
| 36 | 77029072000 | SPARK PLUG KEY 250 SX-F | 1 |
| 37 | 77029036000 | INSERT F. PISTON LOCK RING | 1 |

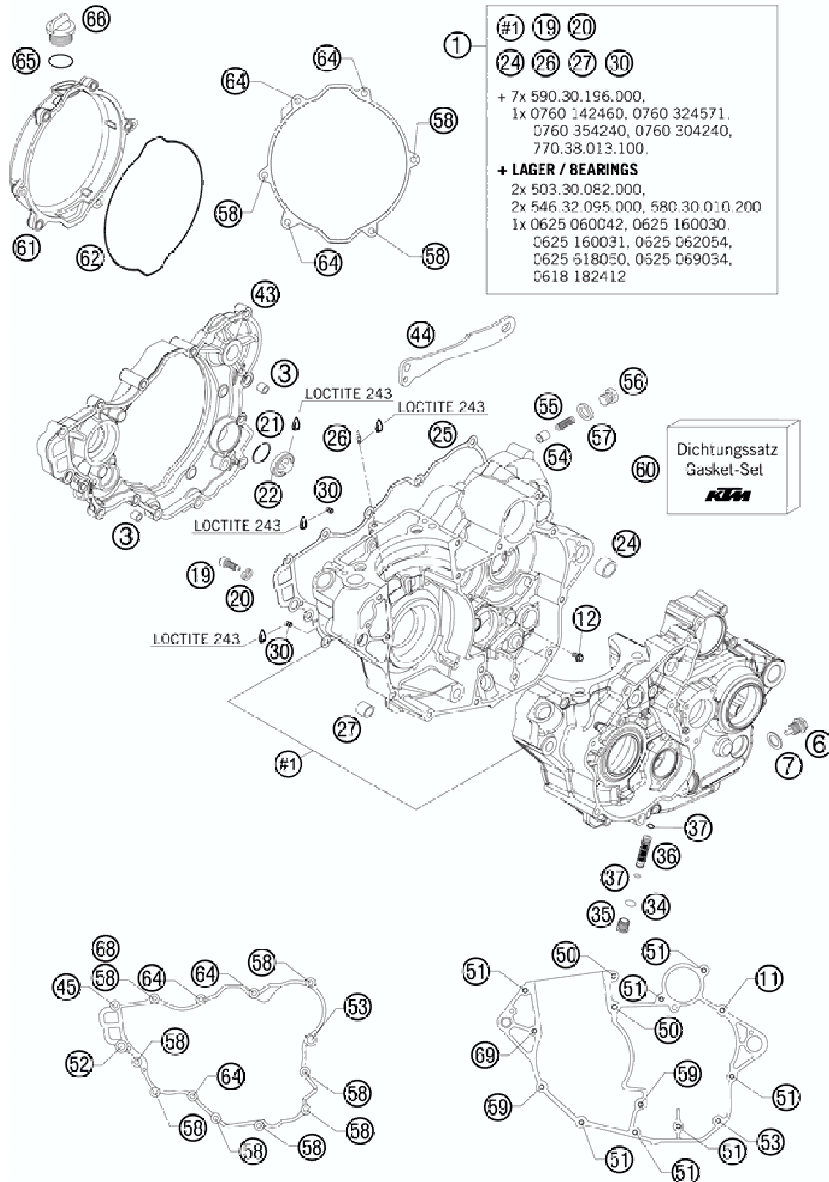
087702910 / C097702910

* NEW PART

X AS REQUIRED

ENGINE CASE

250 EXC-F 2009



| FIG | PART NUMBER | DESCRIPTION | QTY |
|-----|---------------|--------------------------------|-----|
| 1 | 77030100144 | ENGINE CASE CPL. EXC-F/XC-F 07 | 1 |
| 3 | 49030090000 | DOWEL 9,8 X 7 X 10 | 2 |
| 6 | 58030021000 | OILDRAIN PLUG W.MAG. M 12X1,5 | 1 |
| 7 | 58038022000 | CU-SEAL RING DIN7603-12X18X1,5 | 1 |
| 11 | 0025060456 | HH COLLAR SCREW M6X45 TX30 | 1 |
| 12 | 0025060086 | HH COLLAR SCREW M6X8 TX30 | 2 |
| 19 | 58030080000 | LOCATING SCREW M8 L=23 | 1 |
| 20 | 58030081000 | CU-SEAL RING 8 X 14 X 3 | 1 |
| 21 | 61030019050 | CIRCLIP OIL LEVEL GLASS 03 | 1 |
| 22 | 59030019000 | OIL LEVEL GLASS G 1777 Y | 1 |
| 24 | 59030024000 | DOWEL 17 X 19 X 12 | 1 |
| 25 | 77030025100 | GASKET FOR CLUTCH COVER 05 | 1 |
| 26 | 60030064070 | OIL JET 70 M6X0,75 WS8 03 | 1 |
| 27 | 54630027000 | DOWEL BUSHING 13,8X11X12 | 1 |
| 30* | 77030058150 | JET 44-031/150 | 2 |
| 34 | 0770120020 | O-RING 12,00X2,00 NBR 70 | 1 |
| 35 | 77038017000 | SCREW PLUG | 1 |
| 36 | 59038015100 | OIL SCREEN 11,8x44,5MM | 1 |
| 37 | 0770090015 | O-RING 9X1,5 NBR | 2 |
| 43* | 7703000124415 | CLUTCH COVER CPL. | 1 |
| 44 | 77030047100 | CHAIN DAMPERSHEET EXC-F 07 | 1 |
| 45 | 0025060356 | HH COLLAR SCREW M6X35 TX30 | 1 |
| 50 | 0025060656 | HH COLLAR SCREW M6X65 TX30 | 2 |
| 51 | 0025060506 | HH COLLAR SCREW M6X50 TX30 | 7 |
| 52 | 0025060406 | HH COLLAR SCREW M6X40 TX30 | 1 |
| 53 | 0025060306 | HH COLLAR SCREW M6X30 TX30 | 2 |
| 54 | 58038028000 | VALVE PISTON D=10MM | 1 |
| 55 | 58038023300 | PRESSURE SPRING L=25MM D=1MM | 1 |
| 56 | 0908120153 | PLUG DIN0908-M12X1,5 | 1 |
| 57 | 58038022000 | CU-SEAL RING DIN7603-12X18X1,5 | 1 |
| 58 | 0025060256 | HH COLLAR SCREW M6X25 TX30 | 11 |
| 59 | 0025060956 | HH COLLAR SCREW M6X95 TX30 | 2 |
| 60 | 77030099000 | GASKET SET 05 | 1 |
| 61* | 7703002630015 | CLUTCH COVER OUTSIDE 09 | 1 |
| 62 | 77030027000 | MOLDED RING 05 | 1 |
| 64 | 0025060556 | HH COLLAR SCREW M6X55 TX30 | 6 |

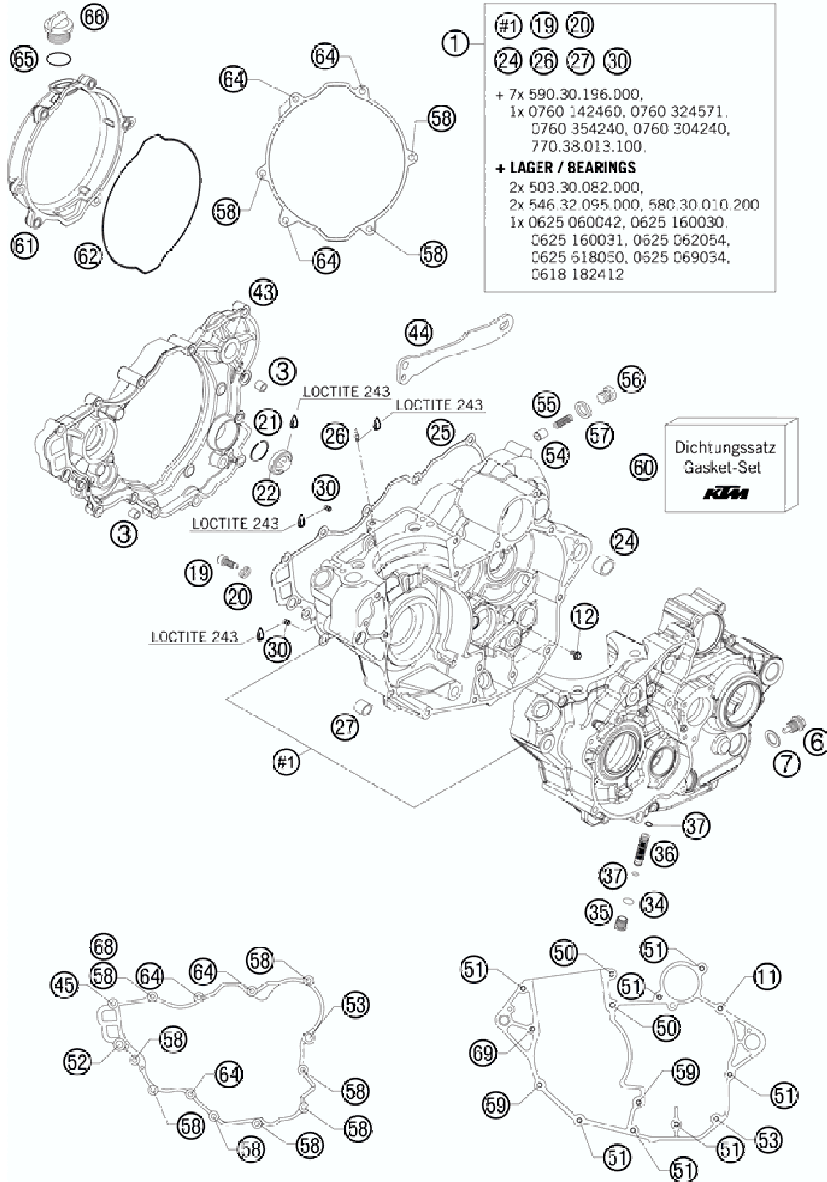
097703011 / C097703011

* NEW PART

X AS REQUIRED

ENGINE CASE

250 EXC-F 2009



| FIG | PART NUMBER | DESCRIPTION | QTY |
|-----|-------------|-----------------------------|-----|
| 65 | 0770191015 | O-RING 19,00X3,00 NBR | 1 |
| 66 | 58030020000 | PLUG M 24X3 | 1 |
| 68 | 0603061001 | CU-SEAL RING DIN7603-6X10X1 | 1 |
| 69 | 0025060606 | HH COLLAR SCREW M6X60 TX30 | 1 |

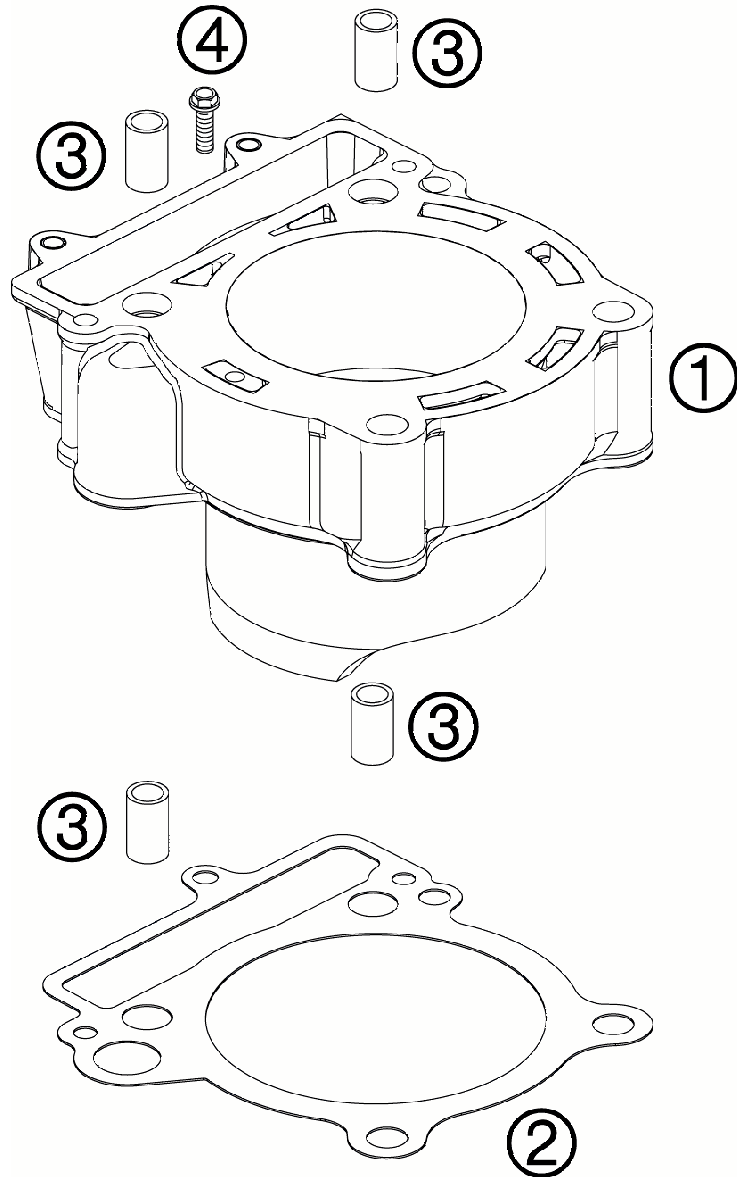
097703011 / C097703011

* NEW PART

X AS REQUIRED

CYLINDER

250 EXC-F 2009



| FIG | PART NUMBER | DESCRIPTION | QTY |
|-----|-------------|----------------------------|-----|
| 1 | 77030005100 | CYLINDER 2009 | 1 |
| 2 | 77030035200 | CYLINDER BASE GASKET | 1 |
| 3 | 58530014000 | DOWEL 10,2X12,5X10 2001 | 4 |
| 4 | 0025060256 | HH COLLAR SCREW M6X25 TX30 | 1 |

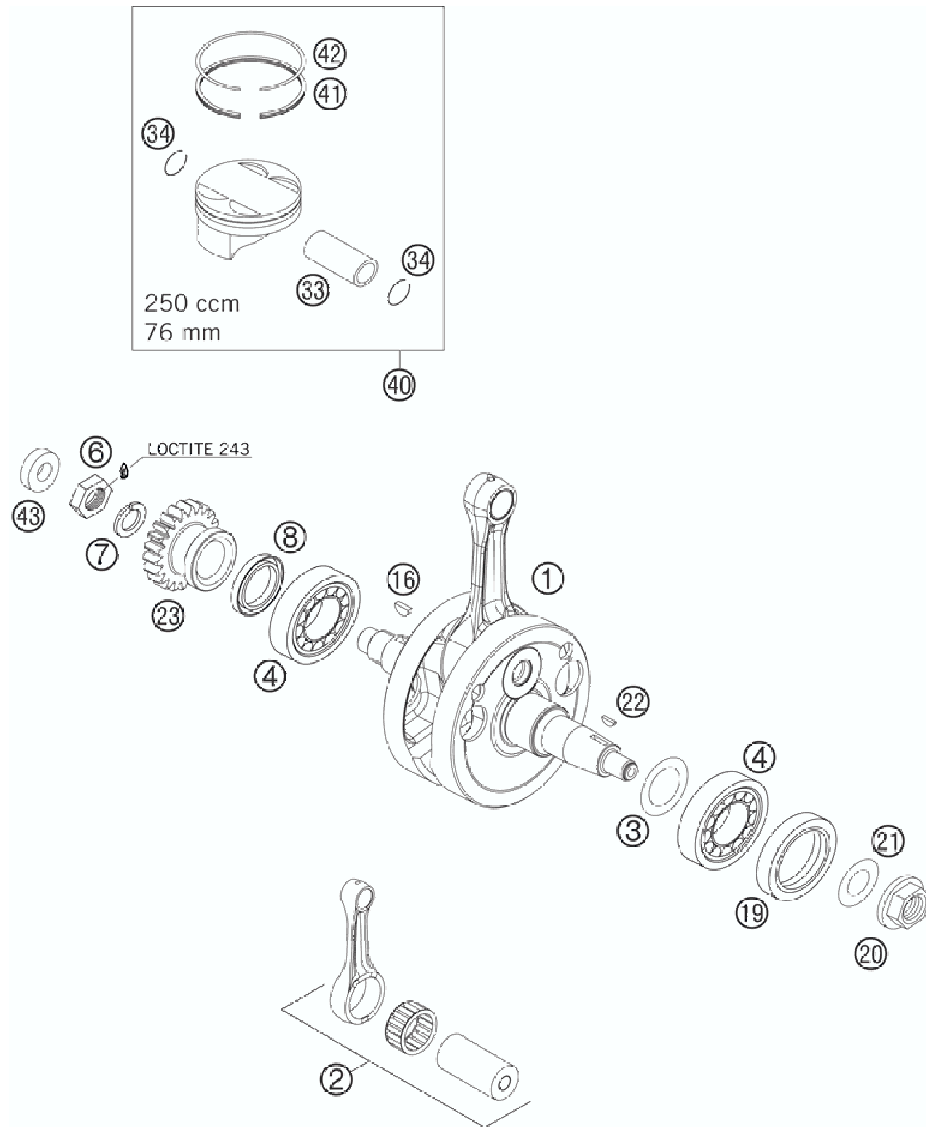
097703040 / C097703040

* NEW PART

X AS REQUIRED

CRANKSHAFT, PISTON

250 EXC-F 2009



| FIG | PART NUMBER | DESCRIPTION | QTY |
|-----|----------------|--------------------------------|-----|
| 1* | 77030118200 | CRANKSHAFT CPL. EXC-F 09 | 1 |
| 2 | 77030015144 | CON. ROD REP. SET 05 | 1 |
| 3 | 56030081000 | THRUST WASHER 30,5X45X0,10 | x |
| 3 | 56030081100 | THRUST WASHER 30,7X47X0,15 | x |
| 3 | 56030081200 | THRUST WASHER 30,5X45X0,30 | x |
| 4 | 50330082000 | CYL.ROLLER BEAR.NJ206 ET2XCS46 | 2 |
| 6 | 54630029000 | HEX.NUT L/SH M18X1,5 | 1 |
| 7 | 58132072000 | LOCK WASHER VSK 18 | 1 |
| 8 | 0760354240 | SH.SEAL RING 35X42X4 B10FNIB | 1 |
| 16 | 6946005 | WOODRUFF KEY 5X6,5 HARDED | 1 |
| 19 | 0760304772 | SH.SEAL RING 30X47X7 BSL VITON | 1 |
| 20 | 49030021000 | COLLAR NUT M12X1 R/S | 1 |
| 21 | 0137120000 | SPRING WASHER DIN0137-B12 | 1 |
| 22 | 0888030050 | WOODRUFF KEY DIN6888-3X5X13 | 1 |
| 23 | 77032000122 | PRIMARY GEAR 22T. 05 | x |
| 33 | 77030033000 | PISTON PIN BOLT D=16mm 05 | 1 |
| 34 | 77030074000 | CIRCLIP 05 | 1 |
| 40* | 77030007500 I | PISTON I CPL. | 1 |
| 40* | 77030007500 II | PISTON II CPL. | 1 |
| 41* | 77030032200 | OIL SCRAPER RING | 1 |
| 42* | 77030030100 | COMPRESSIONRING D=76 | 1 |
| 43 | 0760142460 | SHAFT SEAL RING 14X24X6 B | 1 |

087703060 / C097703061

* NEW PART

X AS REQUIRED

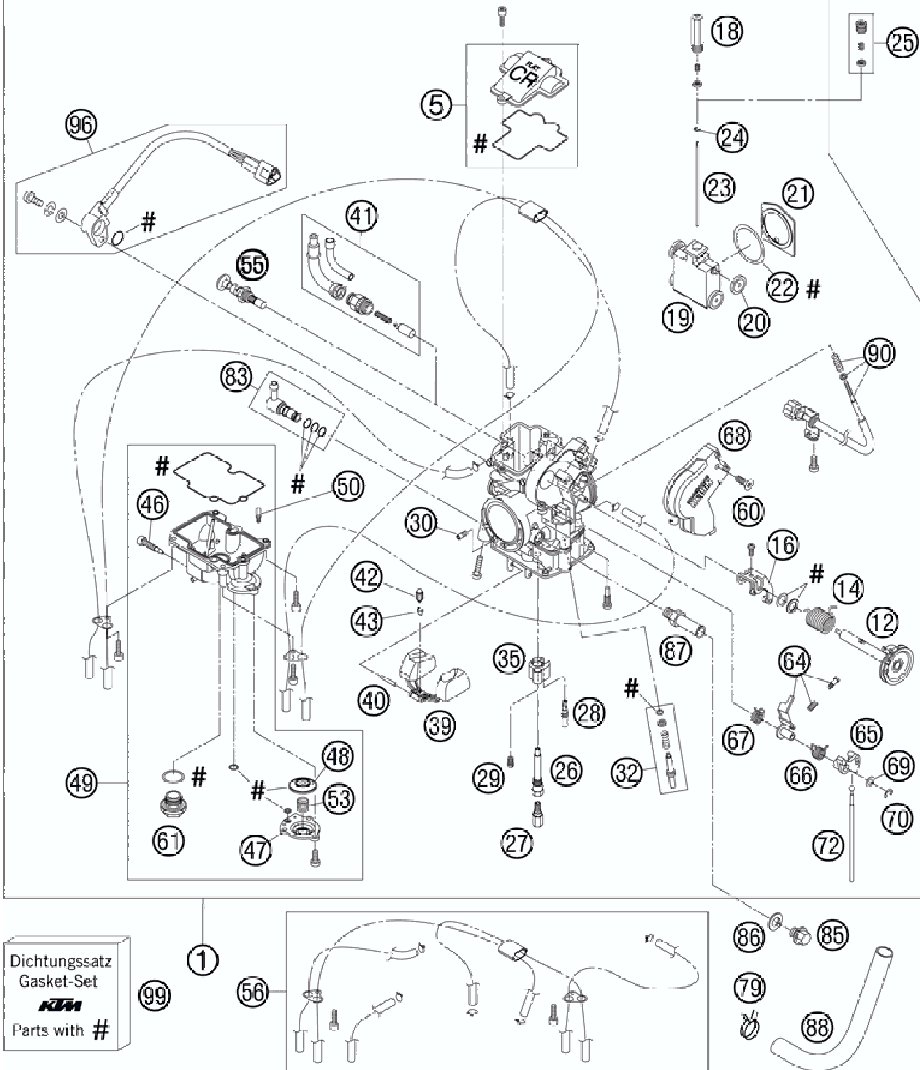
CARBURETOR

250 EXC-F 2009

ACHTUNG !!!
Vor dem Einbau des Vergasers,
Bedüsung kontrollieren.



CAUTION !!!
Before mounting the carburetor,
check the jetting.



| FIG | PART NUMBER | DESCRIPTION | QTY |
|-----|-------------|--------------------------------|-----|
| 1 | 77031001500 | CARBURETOR FCR-MX 3900K,TPS 08 | 1 |
| 5 | 57331027044 | CARBURETOR COVER WITH GASKET | 1 |
| 12 | 57331046100 | THROTTLE SHAFT CPL. 06 | 1 |
| 14 | 57331046050 | COIL SPRING THROTTLE SHAFT | 1 |
| 16 | 76231035051 | LINK ARM THROTTLE VALVE CPL.07 | 1 |
| 18 | 59031029010 | SLIDE STOP 03 | 1 |
| 19 | 57331035100 | THROTTLE VALVE CPL. FCRMX 2007 | 1 |
| 20 | 59031035050 | BUSHING THROTTLE VALVE | 1 |
| 21 | 57331035153 | GASKET PLATE THROTTLE VALVE 04 | 1 |
| 22 | 59031035052 | GASKET WASHER THROTTLE VALVE | 1 |
| 23* | 57331034100 | JET NEEDLE KEIHIN OBEKP | x |
| 23 | 57331034500 | JET NEEDLE KEIHIN OBEKT | x |
| 23 | 59031034100 | JET NEEDLE KEIHIN OBEPT | x |
| 23 | 59031034200 | JET NEEDLE KEIHIN OBEVN | x |
| 23 | 59031034300 | JET NEEDLE KEIHIN OBEVQ | x |
| 23 | 77031034000 | JET NEEDLE KEIHIN OBDYS | x |
| 24 | 59031029000 | BAR CLIP | 1 |
| 25 | 57331032000 | NEEDLE SET SCREW CPL. | 1 |
| 26 | 59031121000 | NEEDLE JET FCR-MX | 1 |
| 27 | 54531623160 | MAIN JET 160 KEIHIN | x |
| 27 | 54531623162 | MAIN JET 162 KEIHIN | x |
| 27 | 54531623165 | MAIN JET 165 KEIHIN | x |
| 27 | 54531623168 | MAIN JET 168 KEIHIN | x |
| 27 | 54531623170 | MAIN JET 170 KEIHIN | x |
| 27 | 54531623172 | MAIN JET 172 KEIHIN | x |
| 27 | 54531623175 | MAIN JET 175 KEIHIN | x |
| 27 | 54531623178 | MAIN JET 178 KEIHIN | x |
| 28 | 54531607038 | IDLE JET 38 KEIHIN | x |
| 28 | 54531607040 | IDLE JET 40 KEIHIN | x |
| 28 | 54531607042 | IDLE JET 42 KEIHIN | x |
| 29 | 59031051065 | STARTER JET 65 | x |
| 29 | 59031051070 | STARTER JET 70 | x |
| 29 | 59031051075 | STARTER JET 75 | x |
| 29 | 59031051080 | STARTER JET 80 | x |
| 29 | 59031051085 | STARTER JET 85 | x |
| 30 | 57331107100 | IDLE AIR JET 100 KEIHIN | 1 |

087703111 / C097703111

* NEW PART

X AS REQUIRED

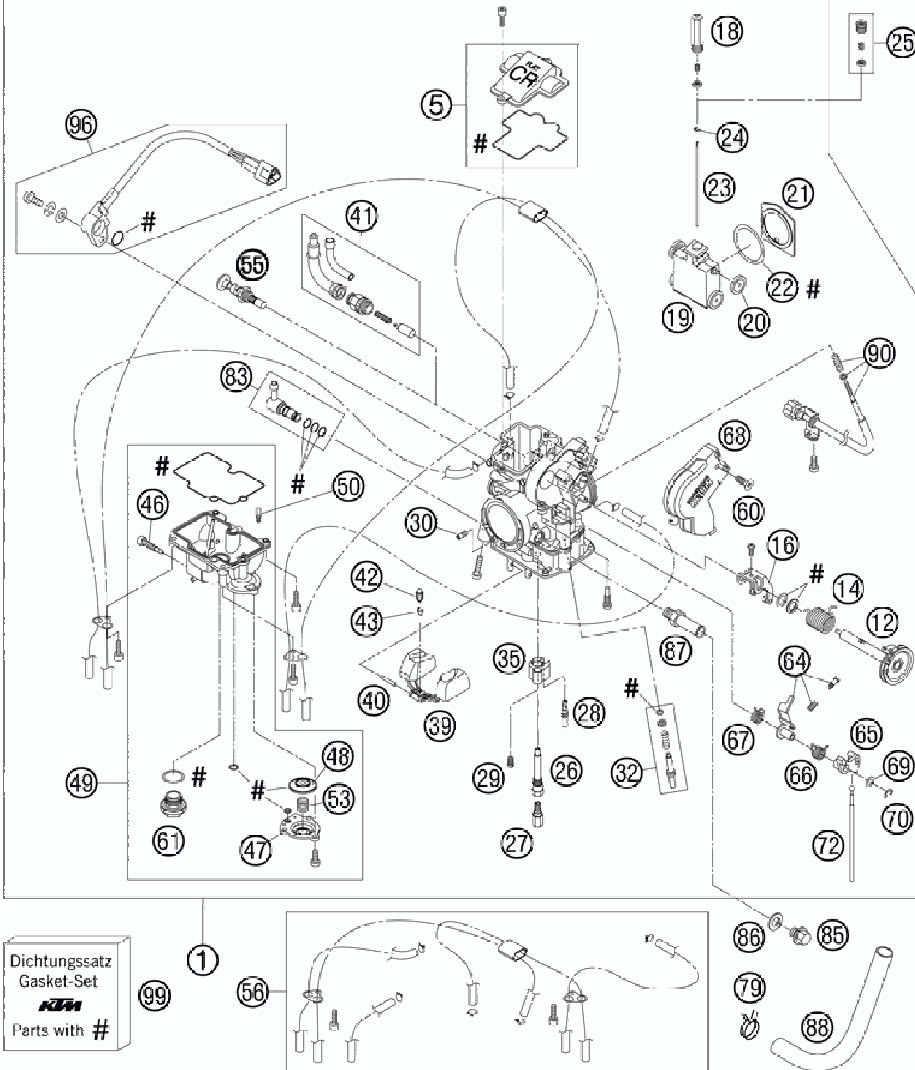
CARBURETOR

250 EXC-F 2009

ACHTUNG !!!
Vor dem Einbau des Vergasers,
Bedüsung kontrollieren.



CAUTION !!!
Before mounting the carburetor,
check the jetting.



| FIG | PART NUMBER | DESCRIPTION | QTY |
|-----|-------------|--------------------------------|-----|
| 32 | 59031017100 | ADJUST SCREW CPL. FCR-MX | 1 |
| 35 | 57331085000 | BUFFER PLATE | 1 |
| 39 | 57331009000 | FLOAT CPL. | 1 |
| 40 | 57331008000 | ARM PIN FLOAT | 1 |
| 41 | 78031096044 | STARTER VALVE CPL. | 1 |
| 42 | 54631220000 | FLOAT NEEDLE | 1 |
| 43 | 54531621000 | CLAMP | 1 |
| 46 | 76231155000 | DRAIN SCREW FLOAT CHAMBER | 1 |
| 47 | 57331060000 | COVER ACCELERATOR PUMP | 1 |
| 48 | 57331057100 | DIAPHRAGM ACCELERATOR PUMP | 1 |
| 49 | 78031011000 | FLOAT CHAMBER CPL. 08 | 1 |
| 50 | 54631085000 | JET POWER JET CLOSED KEIHIN | x |
| 50 | 54631085050 | JET POWER JET 50 KEIHIN | x |
| 50 | 54631085060 | JET POWER JET 60 KEIHIN | x |
| 50 | 54631085070 | JET POWER JET 70 KEIHIN | x |
| 53 | 59031059000 | COIL SPRING | 1 |
| 55 | 77031048000 | STARTER VALVE SHORT CPL. | 1 |
| 56 | 57331098000 | BREATH.HOSE FCR-MX KEIHIN CPL. | 1 |
| 60 | 0965050103 | FLAT HEAD SCREW DIN0965-M 5X10 | 1 |
| 61 | 54531699000 | PLUG M 18X1 | 1 |
| 64 | 57331062000 | INTERMEDIATE LEVER CPL. | 1 |
| 65 | 57331056000 | LINK LEVER | 1 |
| 66* | SXS08250030 | SXS COIL SPRING THROTTLE SHAFT | 1 |
| 67 | 57331159000 | SPRING INTERMEDIATE LEVER | 1 |
| 68 | 57331038200 | CARBURETOR COVER 06 | 1 |
| 69 | 57331087000 | WASHER LINK LEVER | 1 |
| 70 | 57331084000 | E-CLIP | 1 |
| 72 | 57331061000 | ROD ACCELERATOR PUMP | 1 |
| 79 | 58431082100 | YDNAC-CLAMP 10173 (16MM) '98 | 1 |
| 83 | 59031013044 | HOSE CONNECTOR CPL. | 1 |
| 85 | 0910100003 | PLUG DIN0910-M 10X1 | 1 |
| 86 | 0603100141 | COPPER GASKET DIN7603-10X14X1 | 1 |
| 87 | 59031040300 | HOSE CONNECTOR KEIHIN | 1 |
| 88 | 77031050000 | ENGINE BREATHER TUBE | 1 |
| 90 | 57331025000 | STOP SCREW CPL. FCR-MX | 1 |
| 96 | 59031077200 | TPS-SENSOR FCRMX 190MM 2006 | 1 |

087703111 / C097703111

* NEW PART

X AS REQUIRED

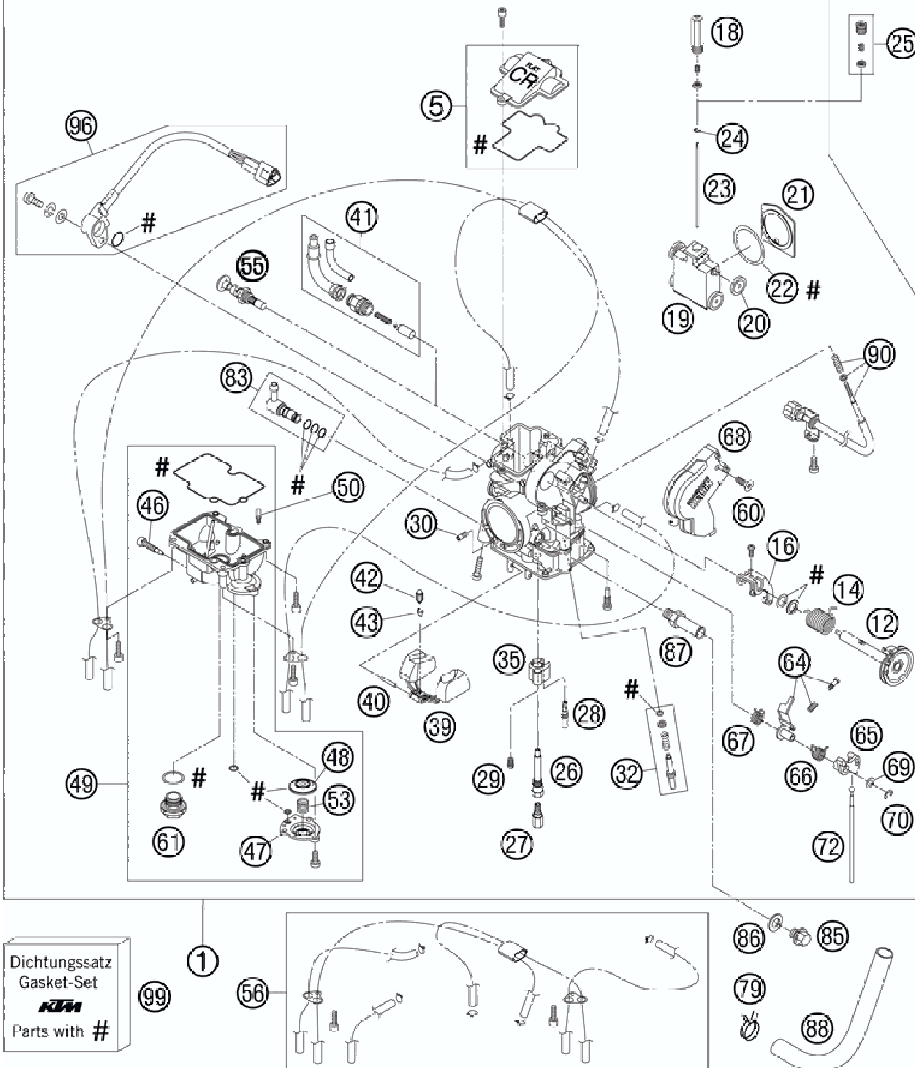
CARBURETOR

250 EXC-F 2009

ACHTUNG !!!
Vor dem Einbau des Vergasers,
Bedüsung kontrollieren.



CAUTION !!!
Before mounting the carburetor,
check the jetting.



| FIG | PART NUMBER | DESCRIPTION | QTY |
|-----|-------------|--------------------------|-----|
| 99 | 57331099000 | GASKET SET FCR-MX KEIHIN | 1 |

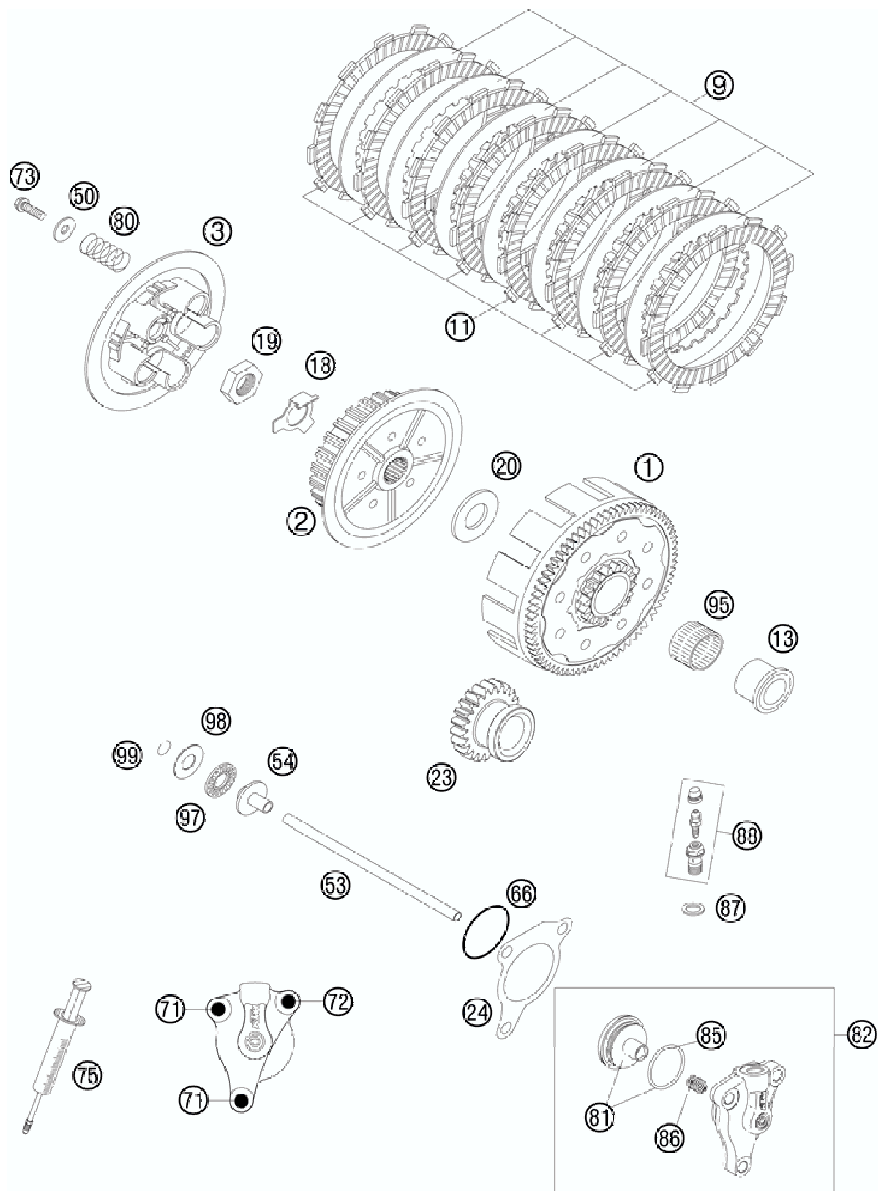
087703111 / C097703111

* NEW PART

X AS REQUIRED

CLUTCH

250 EXC-F 2009



| FIG | PART NUMBER | DESCRIPTION | QTY |
|-----|-------------|--------------------------------|-----|
| 1* | 77032001100 | OUTER CLUTCH CPL. | 1 |
| 2* | 77032002100 | INNER CLUTCH HUB | 1 |
| 3* | 77032003100 | PRESSURE PLATE | 1 |
| 9 | 77032010000 | INTERMEDI. DISC STEEL 05 | 7 |
| 11 | 77032011000 | LINING DISC 3,0MM 05 | 8 |
| 13 | 50332013000 | INNER RING 20X26X25,9 '98 | 1 |
| 18 | 50332018000 | SHEET METAL LOCK 1,5MM '98 | 1 |
| 19 | 0936181505 | HEXAGON NUT DIN0936-M18X1,5 R. | 1 |
| 20 | 50332020000 | STOP DISK 20X39,6X3 '98 | 1 |
| 23 | 77032000122 | PRIMARY GEAR 22T. 05 | 1 |
| 24 | 59032065000 | GASKET FOR SLAVE CYLINDER | 1 |
| 50 | 50232050000 | WASHER 6,2X18X2 | 5 |
| 53 | 77032054000 | PUSH ROD 05 | 1 |
| 54 | 50332054051 | PRESSURE PIECE 125-380 '98 | 1 |
| 66 | 0770300015 | O-RING 30,00X1,50 NBR 70 | 1 |
| 71 | 0025060206 | HH COLLAR SCREW M6X20 TX30 | 2 |
| 72 | 0025060356 | HH COLLAR SCREW M6X35 TX30 | 1 |
| 73 | 0025060256 | HH COLLAR SCREW M6X25 TX30 | 5 |
| 75 | 50329050000 | VENT INJEKTION HYDR. CLUTCH | 1 |
| 80 | 77032005000 | CLUTCH SPRING | 5 |
| 81 | 54832066000 | PISTON CPL. | 1 |
| 82 | 54832061044 | OUTPUT CYLINDER CPL. 06 | 1 |
| 85 | 54832067000 | O-RING | 1 |
| 86 | 54832069000 | PRESSURE SPRING | 1 |
| 87 | 42013226000 | CU-SEAL RING DIN7603-10X16X1 | 1 |
| 88 | 62513020000 | BLEEDER SCREW CPL. 05 | 1 |
| 95 | 56532095000 | NEEDLE BEARING K26X30X22ZW.KSE | 1 |
| 97 | 54637097200 | AXIAL NEEDLE BEARING AXK 1226 | 1 |
| 98 | 54637098200 | AXIAL WASHER AS1226 12X26X1 | 1 |
| 99 | 0993012000 | CIRCLIP DIN7993-RW12 | 1 |

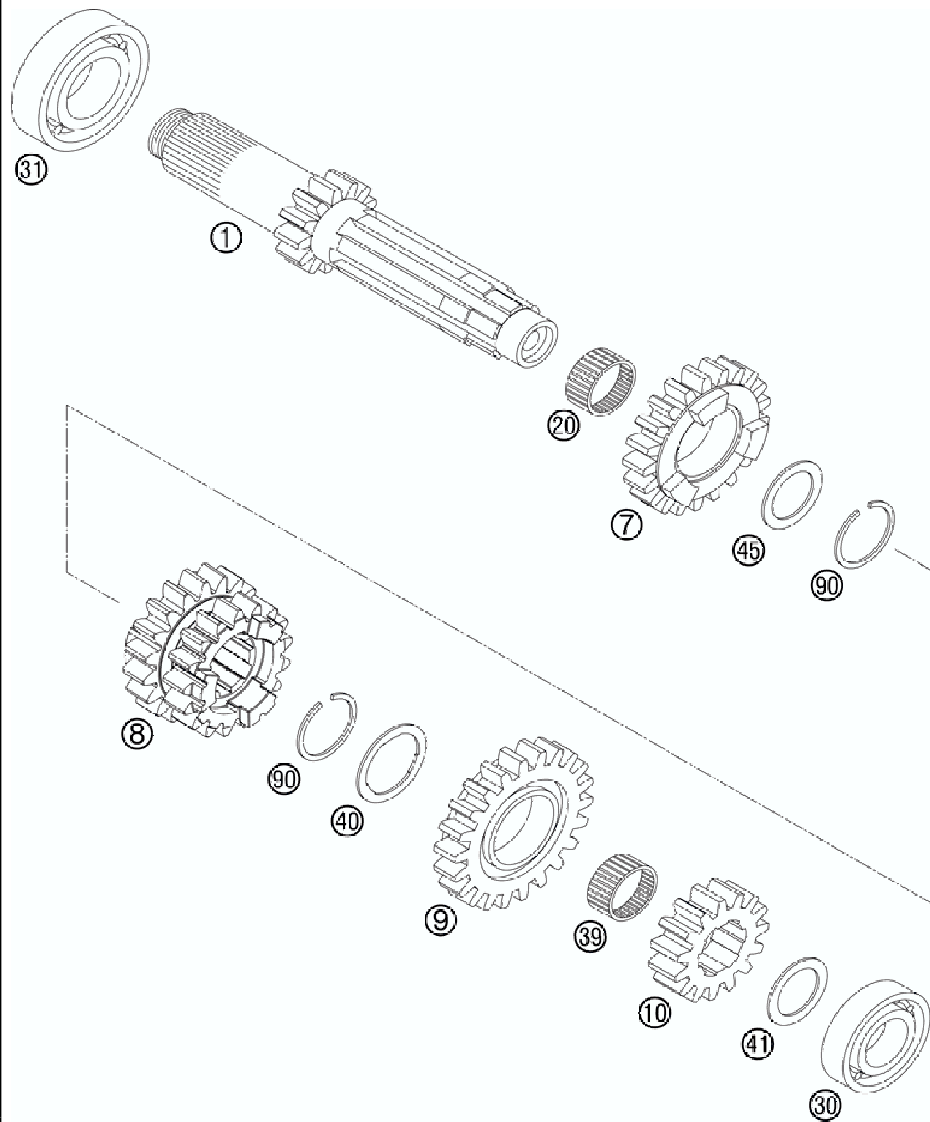
097703210 / C097703210

* NEW PART

X AS REQUIRED

TRANSMISSION I

250 EXC-F 2009



| FIG | PART NUMBER | DESCRIPTION | QTY |
|-----|-------------|--------------------------------|-----|
| 1 | 77033101000 | MAIN SHAFT CPL. Z=13 "B13" | 1 |
| 7 | 77033105000 | IDLER G. 5TH G=23 "5B23" | 1 |
| 8 | 77033103000 | SLIDING G.3/4. G19/23-T"B1923" | 1 |
| 9 | 77033106000 | IDLER G. 6TH G.26 "6B26" | 1 |
| 10 | 77033102000 | SOLID GEAR 2ND G.17-T"2B17" | 1 |
| 20 | 0405222611 | NEEDLE BEAR.K 22X26X10 DIVIDED | 1 |
| 30 | 0625160032 | GROOVED BALL BEARING 16003 Z | 1 |
| 31 | 0625060042 | BALL BEARING 6004 TN9 C4 | 1 |
| 39 | 50133099000 | NEEDLE CAGE K18X22X10 PARTED | 1 |
| 40 | 77033021000 | STOP DISC 05 | 1 |
| 41 | 50333030000 | STOP DISK 17,2X24X1 | 1 |
| 45 | 77033020000 | STOP GEAR 22X28.5X1 05 | 1 |
| 90 | 50133090000 | LOCK RING 22X1,2 | 2 |

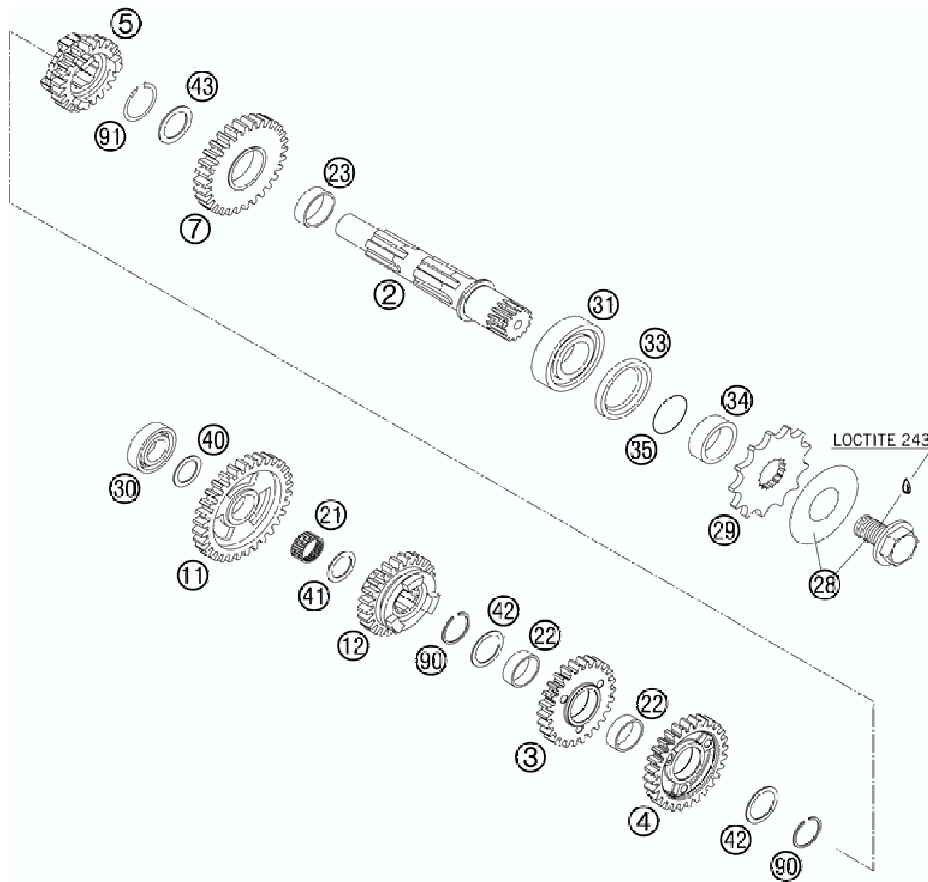
087703340 / C087703340

* NEW PART

X AS REQUIRED

TRANSMISSION II

250 EXC-F 2009



| FIG | PART NUMBER | DESCRIPTION | QTY |
|-----|-------------|--------------------------------|-----|
| 2 | 77033010000 | COUNTER SHAFT 05 | 1 |
| 3 | 77033114000 | IDLER G. 4TH 6.28-T "4B28" | 1 |
| 4 | 77033113000 | IDLER G. 3RD G.29-T "3B29" | 1 |
| 5 | 77033116100 | SLIDING G. 6TH 6.22-T "6B26" | 1 |
| 7 | 77033112000 | IDLER G. 2ND 6. 33-T "2B33" | 1 |
| 11 | 77033111000 | IDLER G. 1ST G. 33-T "1B33" | 1 |
| 12 | 77033115100 | SLIDING G. 5TH G. 23-T "5B23" | 1 |
| 21 | 50033098000 | NEEDLE BEARING K20X24X10 | 1 |
| 22 | 0405222611 | NEEDLE BEAR.K 22X26X10 DIVIDED | 2 |
| 23 | 50333023000 | IDLER GEAR BUSHING 25X28X9,7 D | 1 |
| 28 | 59033034044 | SCREW+SPRING WASHER | 1 |
| 29 | 50033029013 | SPROCKET 13-T | x |
| 29 | 50033029014 | SPROCKET 14-T | x |
| 29 | 50033029015 | SPROCKET 15-T | x |
| 30 | 0625060031 | BALL BEARING 6003 TN9 C4 | 1 |
| 31 | 0625062054 | BALL BEARING 6205 C3 NTN | 1 |
| 33 | 0760324571 | SHAFT SEAL RING 32X45X7 BSLNBR | 1 |
| 34 | 54633014100 | SPACER BUSHING 12MM | 1 |
| 35 | 0770230020 | O-RING 23,00X2,00 NBR70 | 1 |
| 40 | 56033030000 | STOP DISC 17,2X30X1 | 1 |
| 41 | 59033080000 | SHIM 20X32X1 | 1 |
| 42 | 50333043000 | STOP DISC 25,2X32X1 | 2 |
| 43 | 0988253510 | THRUST WASH. DIN0988-25X35X1,0 | 1 |
| 90 | 77033022000 | AXIAL-CIRCLIP 25X1,65 | 2 |
| 91 | 0471250120 | CIRCLIP DIN0471-25X1,2 | 1 |

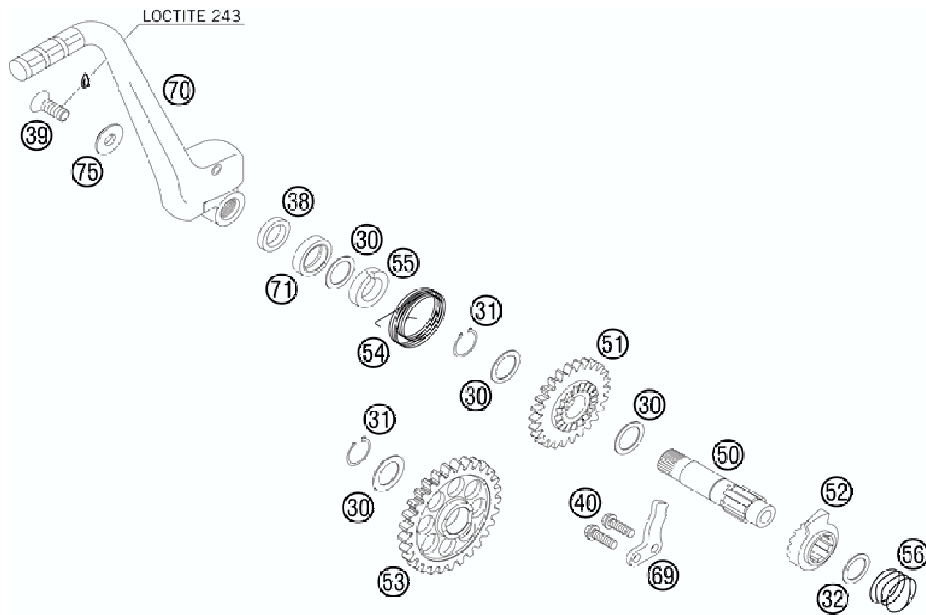
087703370 / C087703370

* NEW PART

X AS REQUIRED

KICK STARTER

250 EXC-F 2009



| FIG | PART NUMBER | DESCRIPTION | QTY |
|-----|-------------|--------------------------------|-----|
| 30 | 50333030000 | STOP DISK 17,2X24X1 | 4 |
| 31 | 0471170010 | CIRCLIP DIN0471-17X1 | 2 |
| 32 | 0988162210 | THRUST WASHER DIN0988-16X22X1 | 1 |
| 38 | 50333038100 | SPACER BUSHING 16X23X26X6,1 | 1 |
| 39 | 0019080206S | FLAT HEAD SCREW M. ISA45 M8X20 | 1 |
| 40 | 0025060166 | HH COLLAR SCREW M6X16 TX30 | 2 |
| 50 | 77033050000 | KICKSTARTER SHAFT 05 | 1 |
| 51 | 77033051000 | KICKSTART. GEAR 28-T 05 | 1 |
| 52 | 50333052000 | KICKSTARTER RATCHET | 1 |
| 53 | 77033053000 | INTERMEDIATE GEAR 05 | 1 |
| 54 | 77033054000 | KICKSTARTER SPRING 05 | 1 |
| 55 | 77033055000 | DRIVING HUB 05 | 1 |
| 56 | 50333056000 | SPRING 1,4MM '98 | 1 |
| 69 | 50333069000 | STOP MET.SHEET 4MM 125/200'98 | 1 |
| 70 | 77033170044 | KICK STARTER CPL. | 1 |
| 71 | 0760172870 | SHAFT SEAL RING 17X28X7 B | 1 |
| 75 | 54633037000 | WASHER 8MM GALVANIZED | 1 |

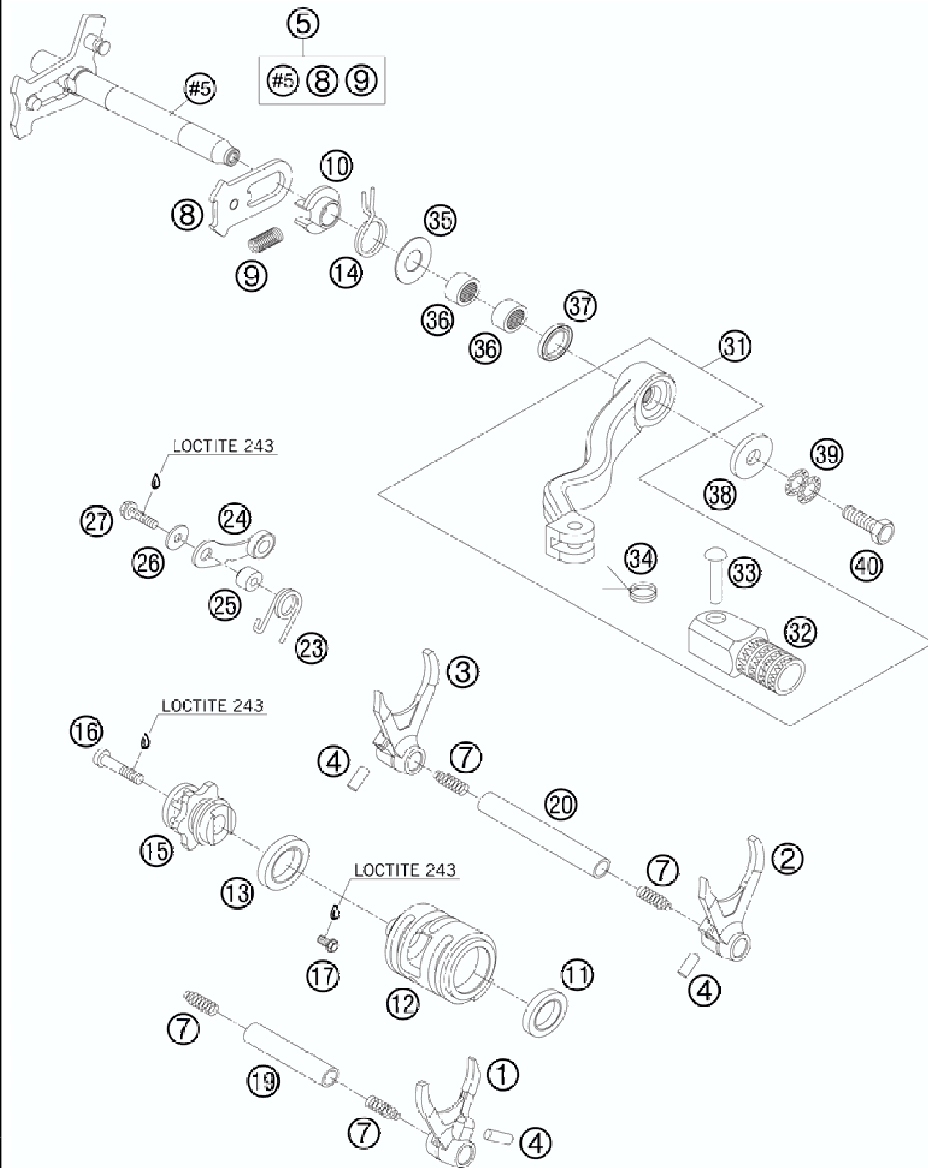
097703390 / C097703390

* NEW PART

X AS REQUIRED

SHIFTING MECHANISM

250 EXC-F 2009



| FIG | PART NUMBER | DESCRIPTION | QTY |
|-----|-------------|--------------------------------|-----|
| 1 | 77034001000 | SHIFTING FORK 5TH/6TH GEAR 05 | 1 |
| 2 | 77034002000 | SHIFTING FORK 2ND/3RD GEAR 05 | 1 |
| 3 | 77034003000 | SHIFTING FORK 1ST/4TH GEAR 05 | 1 |
| 4 | 0402061480 | NEEDLE ROLLER DIN5402 6X14,8 | 3 |
| 5 | 77034005044 | SHIFTING SHAFT CPL. 05 | 1 |
| 7 | 58038023200 | PRESSURE SPRING 0,9MM | 4 |
| 8 | 54634008044 | SLIDING PLATE CPL. | 1 |
| 9 | 56534013100 | TENSIONING SPRING 0,8MM | 1 |
| 10 | 54634020000 | SPRING GUIDE | 1 |
| 11 | 0625069034 | BALL BEARING 6903 C4 | 1 |
| 12 | 77034012000 | SHIFT ROLLER 05 | 1 |
| 13 | 0625618050 | BALL BEARING 61805 C3 | 1 |
| 14 | 54634014100 | RETURN SPRING 2,2MM '95 | 1 |
| 15 | 77034015144 | SHIFTING SHAFT CPL. 05 | 1 |
| 16 | 0012060303 | AH SCREW DIN6912 M6X30 8.8 | 1 |
| 17 | 0025060086 | HH COLLAR SCREW M6X8 TX30 | 1 |
| 19 | 54834019000 | SHIFT. RAIL MAIN SHAFT 250/300 | 1 |
| 20 | 77034019000 | SHIFTING MAIN L=93MM 05 | 1 |
| 23 | 77034023000 | LOCKING LEVER SPRING | 1 |
| 24 | 77034024044 | LOCKING LEVER CPL. 08 | 1 |
| 25 | 54634052300 | SLEEVE FOR LOCKING LEVER | 1 |
| 26 | 0349000050 | WASHER DIN7349-5X15X2 | 1 |
| 27 | 0025050206 | HH COLLAR SCREW M5X20 TX30 | 1 |
| 31* | 54734031000 | SHIFT LEVER CPL. 2-STROKE 2001 | 1 |
| 32 | 54634131000 | STEP PLATE FOR SHIFT LEVER 250 | 1 |
| 33 | 54634031050 | BOLT 6X25 FOR SHIFT LEVER | 1 |
| 34 | 54634032100 | SHIFTING LEVER SPRING 250 | 1 |
| 35 | 54634050000 | STOP DISK 14X30X1 | 1 |
| 36 | 54632095000 | NEEDLE BEAR.HK 1412 14X20X12 | 2 |
| 37 | 0760142460 | SHAFT SEAL RING 14X24X6 B | 1 |
| 38 | 50232050001 | STEEL WASHER 6,4X17X3 | 1 |
| 39 | 50233041000 | PAIR OF WASHERS M 6 NORDLOCK | 1 |
| 40 | 59009062016 | SPECIAL SCREW M6X16 WS=8 10.9 | 1 |

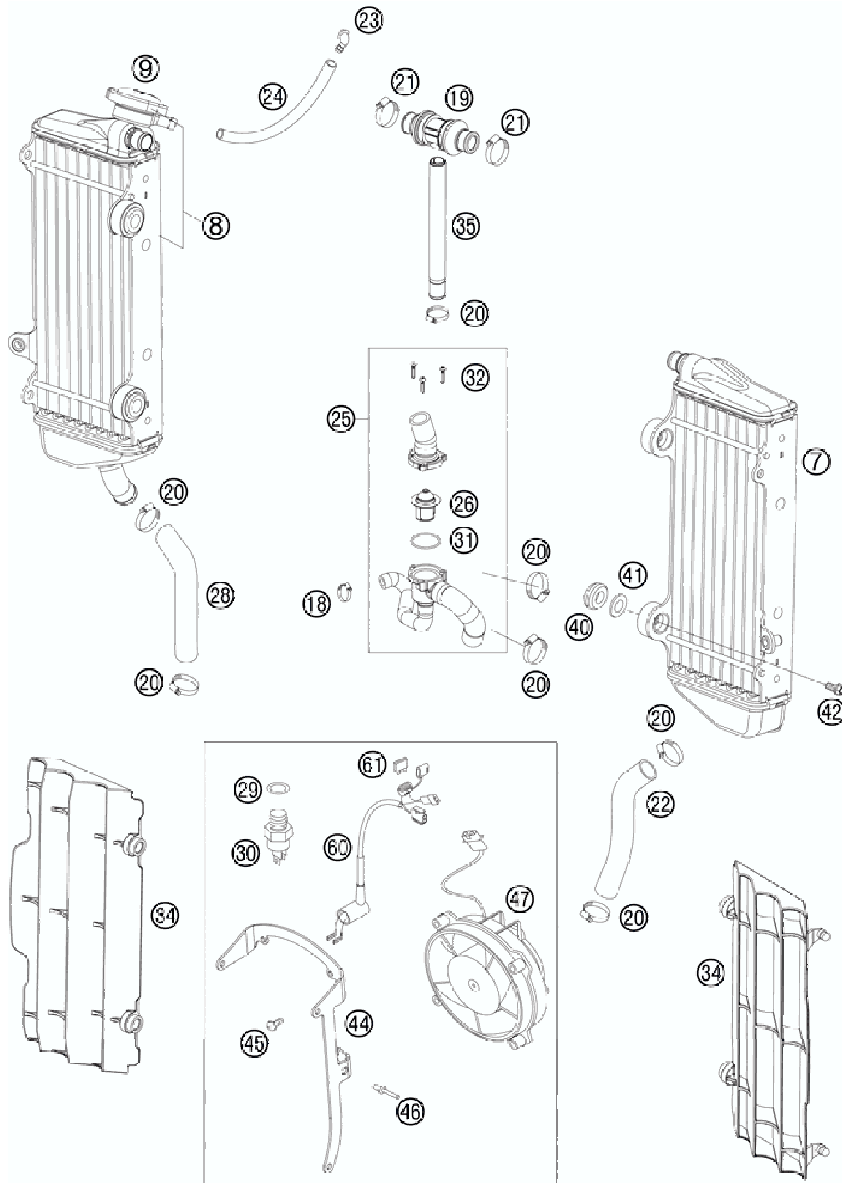
097703410 / C097703411

* NEW PART

X AS REQUIRED

COOLING SYSTEM

250 EXC-F 2009



| FIG | PART NUMBER | DESCRIPTION | QTY |
|-----|---------------|--------------------------------|-----|
| 7 | 77035007100 | RADIATOR L/S 250 SX-F 07 | 1 |
| 8 | 78035008000 | RADIATOR R/S "45556" 08 | 1 |
| 9 | 77335016000 | RADIATOR CAP SMALL 1,8 BAR | 1 |
| 18 | 58335099000 | HOSE CLAMP GEMI 10-16 | 1 |
| 19 | 77335026000 | T-CONNECTOR CPL. '07 | 1 |
| 20 | 10001020000 | HOSE CLAMP GEMI 16-27 | 7 |
| 21 | 42013037200 | HOSE CLAMP GEMI 12/22 | 2 |
| 22 | 77035025000 | RADIATOR HOSE L/S 250SXF 05 | 1 |
| 23 | 50303089000 | ANGEL PIECE '97 | 1 |
| 24 | 31007107001 | PVC-HOSE 6X9 MM PER METER | x |
| 25 | 77035026033 | THERMOSTAT CPL. 75°C 08 | 1 |
| 26 | 59435017000 | THERMOSTAT 70 DEGREE 04 | 1 |
| 28 | 77035027100 | RADIATOR HOSE R/S 07 | 1 |
| 29 | 0603142015 | ALU SEALRING DIN7603-14X20X1,5 | 1 |
| 30 | 78035045000 | THERMOSWITCH 95-100 DG | 1 |
| 31 | 0770320020 | O-RING 32,00X2,00 | 1 |
| 32 | 0016040183 | SCREW FOR PLASTIC D=4X18 | 3 |
| 34 | 7733503400030 | RAD. PR. L/S+R/S BLACK SX 07 | 1 |
| 35 | 77335073000 | HOSE CONNECTOR 4 STROKE 07 | 1 |
| 40 | 41001052000 | RUBBER SLEEVE D=12MM | 4 |
| 41 | 77335001000 | WASHER FOR RADIATOR 08 | 4 |
| 42 | 0023060123 | COLLAR SCREW M6X12 TX | 4 |
| 44 | 78035043000 | FAN SUPPORT EXC 08 | 1 |
| 45 | 0081500181 | SCREW FOR PLASTIC D=5X18 | 3 |
| 46 | 0011400800 | RIVET 4,0X 8 ALU | 3 |
| 47 | 58435041000 | FAN CPL. 12V LC4 2000 | 1 |
| 60 | 59011079000 | FAN WIRING HARNESS 2001 | 1 |
| 61 | 58011109105 | FUSE 5 A 2003 | 1 |

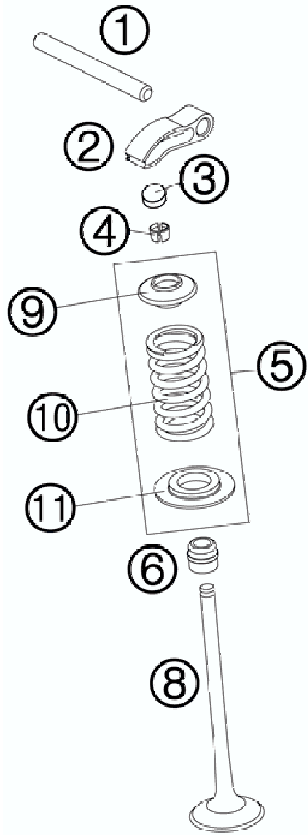
087703530 / C097703531

* NEW PART

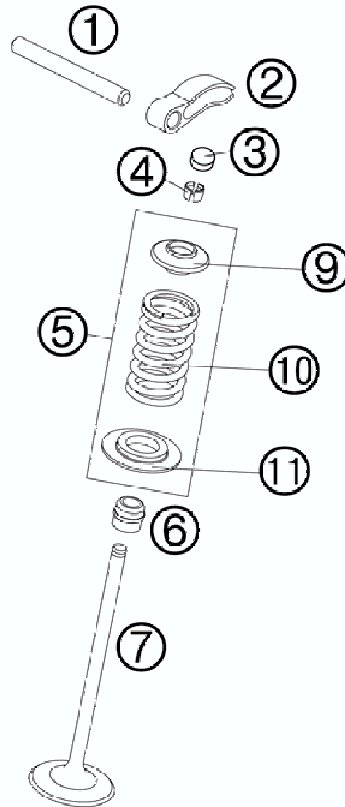
X AS REQUIRED

VALVE DRIVE

250 EXC-F 2009



EXHAUST



INTAKE

| FIG | PART NUMBER | DESCRIPTION | | QTY |
|-----|-------------|-----------------------|----|-----|
| 1 | 77036056000 | VALVE LEVER SHAFT | 05 | 2 |
| 2* | 77036060100 | VALVE LEVER | | 4 |
| 3 | 77036035172 | SHIM D=8,9/1,72 | | X |
| 3 | 77036035176 | SHIM D=8,9/1,76 | | X |
| 3 | 77036035180 | SHIM D=8,9/1,80 | | X |
| 3 | 77036035184 | SHIM D=8,9/1,84 | | X |
| 3 | 77036035188 | SHIM D=8,9/1,88 | | X |
| 3 | 77036035192 | SHIM D=8,9/1,92 | | X |
| 3 | 77036035196 | SHIM D=8,9/1,96 | | X |
| 3 | 77036035200 | SHIM D=8,9/2,00 | | X |
| 3 | 77036035204 | SHIM D=8,9/2,04 | | X |
| 3 | 77036035208 | SHIM D=8,9/2,08 | | X |
| 3 | 77036035212 | SHIM D=8,9/2,12 | | X |
| 3 | 77036035216 | SHIM D=8,9/2,16 | | X |
| 3 | 77036035220 | SHIM D=8,9/2,20 | | X |
| 3 | 77036035224 | SHIM D=8,9/2,24 | | X |
| 3 | 77036035228 | SHIM D=8,9/2,28 | | X |
| 3 | 77036035232 | SHIM D=8,9/2,32 | | X |
| 3 | 77036035236 | SHIM D=8,9/2,36 | | X |
| 3 | 77036035240 | SHIM D=8,9/2,40 | | X |
| 3 | 77036035244 | SHIM D=8,9/2,44 | | X |
| 3 | 77036035248 | SHIM D=8,9/2,48 | | X |
| 3 | 77036035252 | SHIM D=8,9/2,52 | | X |
| 3 | 77036035256 | SHIM D=8,9/2,56 | | X |
| 3 | 77036035260 | SHIM D=8,9/2,60 | | X |
| 4 | 77036033000 | VALVE COLLET | 05 | 8 |
| 5 | 77036028344 | VALVE SPRING KIT | 08 | 4 |
| 6 | 77036027000 | VALVE-STEM SEALING | 05 | 4 |
| 7 | 77036030000 | INTAKE VALVE TITAN | 05 | 2 |
| 8 | 77036031000 | EXHAUST VALVE TITAN | 05 | 2 |
| 9 | 77036032300 | VALVE SPRING RETAINER | | X |
| 10 | 77036028300 | VALVE SPRING INSIDE | | X |
| 11 | 77036036300 | VALVE SPRING HOLDER | | X |

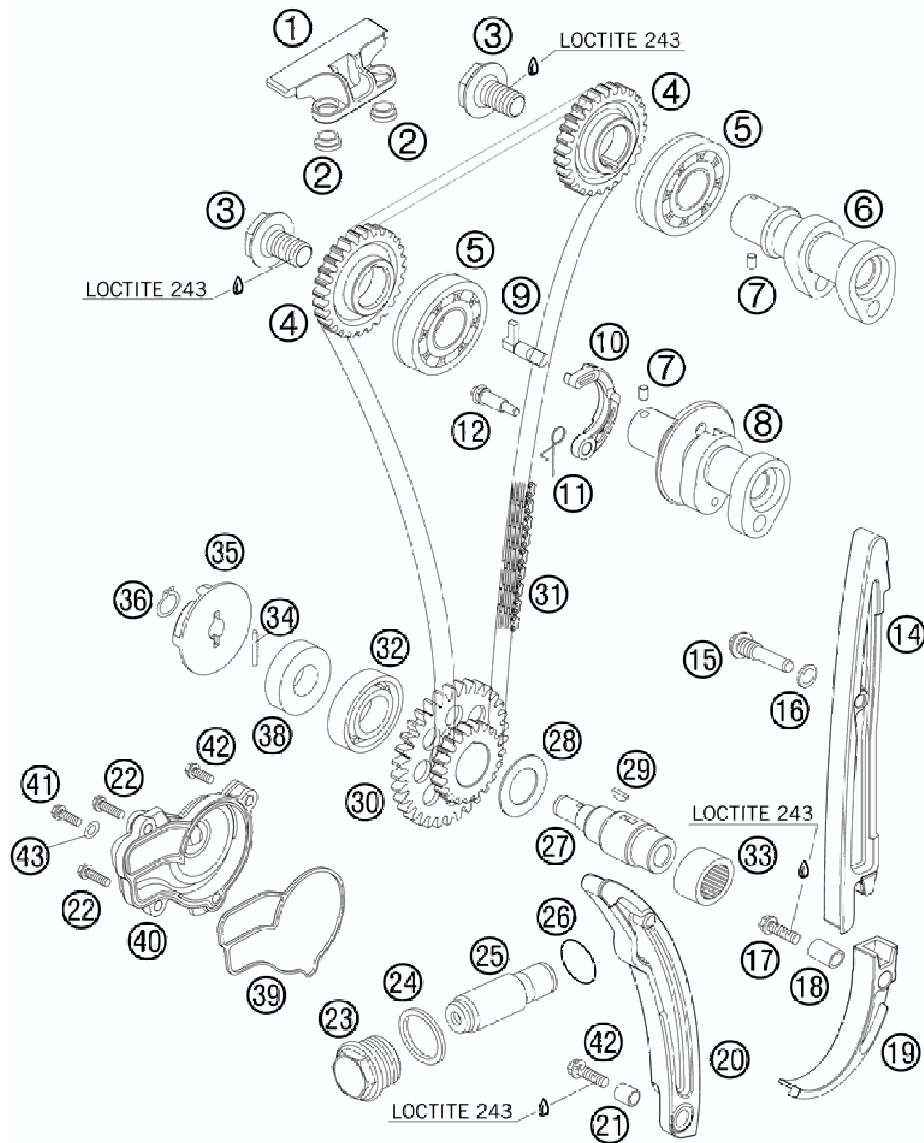
097703610 / C097703610

* NEW PART

X AS REQUIRED

TIMING DRIVE

250 EXC-F 2009



| FIG | PART NUMBER | DESCRIPTION | QTY |
|-----|-------------|--------------------------------|-----|
| 1 | 77036004000 | TIMING CHAIN GUIDE TOP 05 | 1 |
| 2 | 77036004050 | SPACER BUSHING GUIDE RAIL 05 | 2 |
| 3 | 77036012100 | CAMSHAFT GEAR SCREW 08 | 2 |
| 4* | 77036011300 | CAMSHAFT GEAR | 2 |
| 5 | 0625060043 | BALL BEARING 6004 NR C3 05 | 2 |
| 6* | 77036109244 | CAMSHAFT INTAKE 2009 | 1 |
| 7 | 0402040600 | NEEDLE ROOLER DIN5402 NRB 4X6 | 2 |
| 8* | 77036110544 | CAMSHAFT EXHAUST | 1 |
| 9 | 77036015000 | AUTO DECOMPRESSION 05 | 1 |
| 10 | 77036016000 | AUTO DECO WEIGHT 05 | 1 |
| 11 | 77036017000 | SPRING FOR AUTO DECOMPR. 05 | 1 |
| 12 | 77036019000 | BUSHING SCREW AUTODEC. M5X0,8 | 1 |
| 14 | 77036001000 | TIMING CHAIN GUIDE 05 | 1 |
| 15 | 77036001160 | BUSHING SCREW 06 | 1 |
| 16 | 0603082121 | SEAL RING CU DIN7603- 8X12X1 | 1 |
| 17 | 0025060256 | HH COLLAR SCREW M6X25 TX30 | 1 |
| 18 | 59036001050 | SPACER BUSHING 6,1X8,2X13,1 | 1 |
| 19 | 77036005000 | SECURING PROTECTION 05 | 1 |
| 20 | 77036002000 | TIMING CHAIN TENSIONER 05 | 1 |
| 21 | 77036001050 | SPACER BUSHING 6.1X8.2X9.1 05 | 1 |
| 22 | 0025060406 | HH COLLAR SCREW M6X40 TX30 | 2 |
| 23 | 78036008000 | CHAIN ADJUSTER HOLDING BOLT | 1 |
| 24 | 0603242920 | CU SEAL-RING DIN7603 A24X29X2 | 1 |
| 25 | 77036003000 | CHAIN ADJUSTER HYD. 05 | 1 |
| 26 | 0770180020 | O-RING 18,00X2,00 NBR 70 | 1 |
| 27 | 77036072100 | TIMING VALVE JACKSHAFT 08 | 1 |
| 28 | 77036073000 | STOP DISK 18,2X30X1 05 | 1 |
| 29 | 0888030037 | WOODRUFF KEY DIN6888-3X3,7 | 1 |
| 30* | 77036076200 | TIMING VALVE TWIN WHEEL | 1 |
| 31* | 77036013100 | TIMING CHAIN 108 ROLLS | 1 |
| 32 | 0625062035 | BALL BEARING 6203 JR2 C3 | 1 |
| 33 | 0618182412 | NEEDLE BEAR.HK1812 18/24/12 05 | 1 |
| 34 | 0402031780 | NEEDLE ROL.DIN5402 NRB 3X17,8 | 1 |
| 35 | 77035055000 | WATER PUMP ROTOR 05 | 1 |
| 36 | 0471100010 | CIRCLIP DIN0471-10X1 | 1 |
| 38 | 0760123073 | SHAFT SEAL RING 12X30X7 PTFE | 1 |

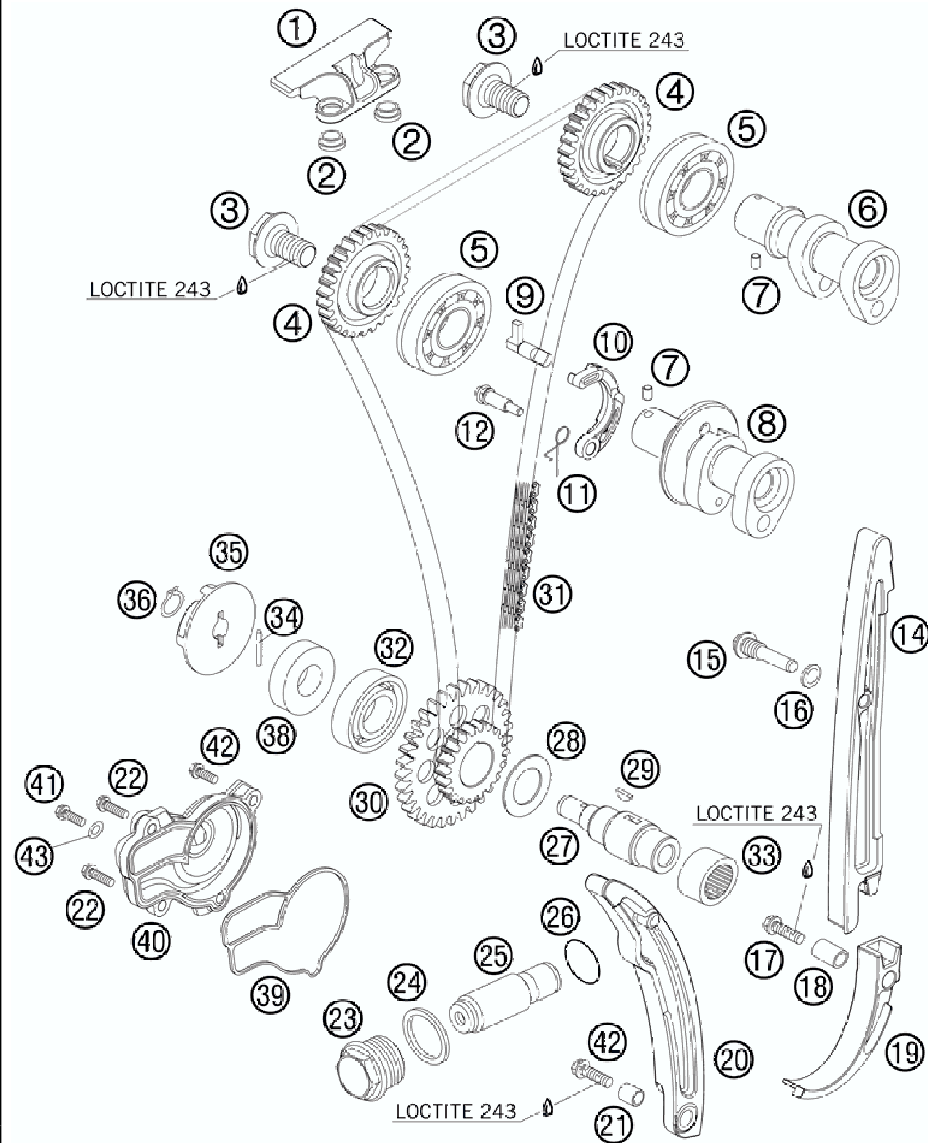
097703621 / C097703621

* NEW PART

X AS REQUIRED

TIMING DRIVE

250 EXC-F 2009



| FIG | PART NUMBER | DESCRIPTION | QTY |
|-----|-------------|-----------------------------|-----|
| 39 | 77035053000 | MOLDED RING WATER PUMP 05 | 1 |
| 40 | 77035052000 | WATER PUMP COVER 05 | 1 |
| 41 | 0025060306 | HH COLLAR SCREW M6X30 TX30 | 1 |
| 42 | 0025060206 | HH COLLAR SCREW M6X20 TX30 | 2 |
| 43 | 0603061001 | CU-SEAL RING DIN7603-6X10X1 | 1 |

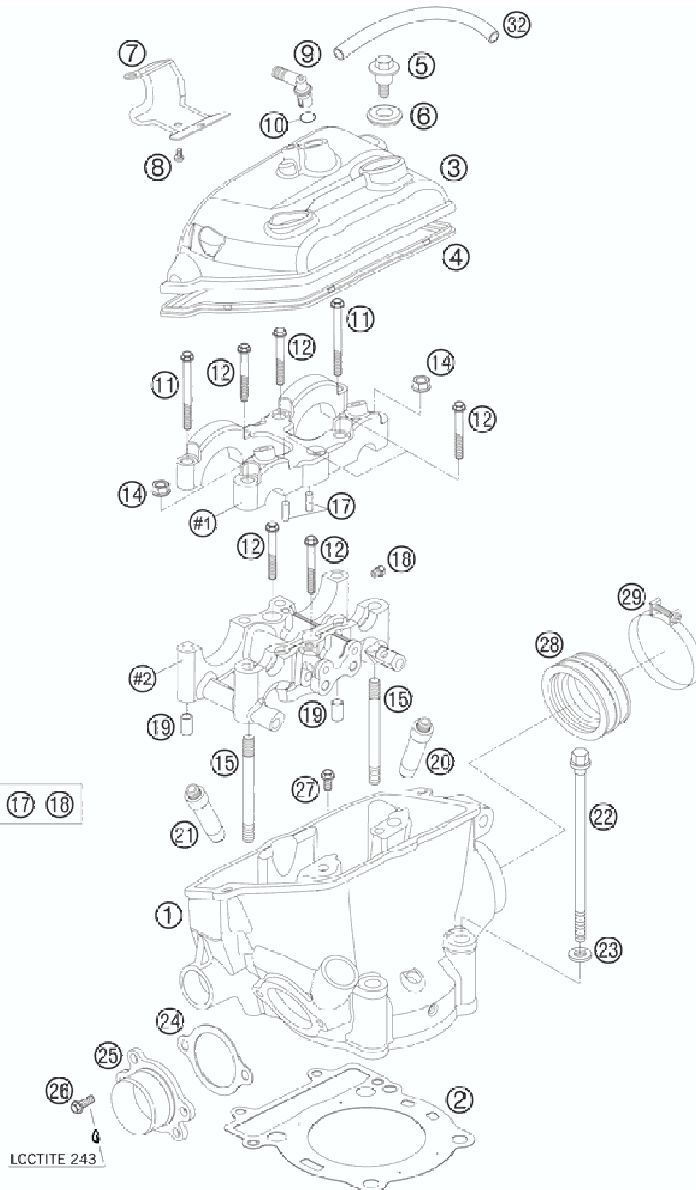
097703621 / C097703621

* NEW PART

X AS REQUIRED

CYLINDER HEAD

250 EXC-F 2009



| FIG | PART NUMBER | DESCRIPTION | QTY |
|-----|-------------|--------------------------------|-----|
| 1 | 77036020244 | CYLINDERHEAD CPL. 07 | 1 |
| 2 | 77030036000 | CYLINDER HEAD GASKET 05 | 1 |
| 3 | 77036052100 | VALVE COVER 06 | 1 |
| 4 | 77036053000 | VALVE COVER GASKET 05 | 1 |
| 5 | 77036055100 | VALVE COVER SCR. M6X12 WS10 07 | 3 |
| 6 | 77036054050 | RUBBER GASKET FOR SCREW 05 | 3 |
| 7 | 77036052050 | COVER PLATE BREATHER 05 | 1 |
| 8 | 0009050103 | SPECIAL SCREW M 5,0X10 | 2 |
| 9 | 60038082000 | ANGLE CONNECTOR LC8 03 | 1 |
| 10 | 0770080020 | O-RING 8X2 SILICONE | 1 |
| 11 | 77036081000 | SPECIAL SCREW M7X73 WS 10 | 2 |
| 12 | 77036080000 | SPECIAL SCREW M7X40 WS10 | 6 |
| 14 | 77036024000 | COLLAR NUT 7X1 05 | 2 |
| 15 | 77036023000 | STUD 7X1 05 | 2 |
| 16 | 77036020150 | BUSH SUPPORT A.BRIDGE CPL '05 | 1 |
| 17 | 0402050980 | NEEDLE ROLLER DIN5402 5X9,8 | 2 |
| 18 | 60030063050 | OIL JET 50 05 | 4 |
| 19 | 77036090000 | DOWEL(BUSH BRIDGE)7/9/8 05 | 2 |
| 20 | 77036025201 | VALVE GUIDE INTAKE | 2 |
| 21 | 77036026101 | VALVE GUIDE OUTLET | 2 |
| 22 | 77036079000 | CYLINDER HEAD SCREW 05 | 4 |
| 23 | 59036090000 | WASHER 10,8X18,8X1,5 | 4 |
| 24 | 77036041000 | GASKET EXHAUST FLANGE 06 | 1 |
| 25 | 77036039000 | EXHAUST FLANGE CPL. 05 | 1 |
| 26 | 0015060203 | HH COLLAR SCREW M 6X20 WS=8 | 2 |
| 27 | 0015060253 | HH COLLAR SCREW M 6X25 WS=8 | 2 |
| 28 | 77036044000 | INTAKE BOOT 06 | 1 |
| 29 | 59030061000 | CLAMP D=56MM B=9MM M4X25 | 1 |
| 32 | 77031050000 | ENGINE BREATHER TUBE | 1 |

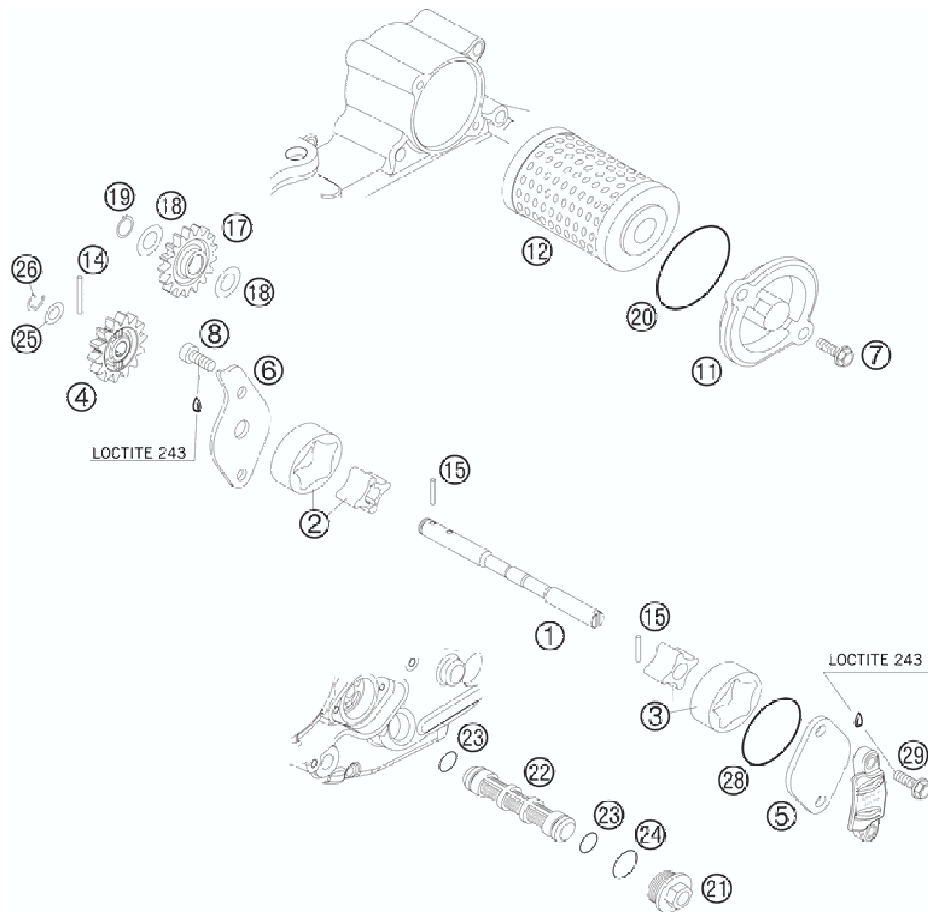
097703630 / C097703631

* NEW PART

X AS REQUIRED

LUBRICATING SYSTEM

250 EXC-F 2009



| FIG | PART NUMBER | DESCRIPTION | QTY |
|-----|-------------|--------------------------------|-----|
| 1 | 77038102000 | OIL PUMP SHAFT EXC-F | 1 |
| 2 | 59038011010 | OILPUMP ROTOR CPL. 10MM G-73R | 1 |
| 3 | 77038011000 | OILPUMP ROTOR 15MM G-164 | 1 |
| 4 | 77038001100 | OIL PUMP GEAR 14T 08 | 1 |
| 5 | 77038004000 | OIL PUMP COVER L/S 05 | 1 |
| 6 | 77038003100 | OIL PUMP COVER R/S 05 | 1 |
| 7 | 0025050166 | HH COLLAR SCREW M5X16 TX30 | 2 |
| 8 | 0984050122 | AH SCREW DIN6912-M 5X12 | 2 |
| 11 | 59038041000 | OIL FILTER COVER RACING | 1 |
| 12 | 77038005044 | OIL FILTER WITH GASKET 06 | 1 |
| 14 | 0402251980 | NEEDLEROL.DIN5402 NRA 2,5X19,8 | 1 |
| 15 | 0402251180 | NEEDLE ROLLER DIN5402 2,5X11,8 | 2 |
| 17 | 77038006100 | OILPUMP IDLER GEAR 08 | 1 |
| 18 | 0988121805 | SHIM WASHER DIN0988-12X18X0,50 | 2 |
| 19 | 0471120010 | CIRCLIP DIN0471-12X1 | 1 |
| 20 | 0770400025 | O-RING 40,00X2,50 NBR 70 | 1 |
| 21 | 59038017000 | PLUG M20X1,5 WS=13 | 1 |
| 22 | 59038016000 | OIL SCREEN 15X83MM | 1 |
| 23 | 0770125015 | O-RING 12,5X1,5 NBR | 2 |
| 24 | 0770020170 | O-RING 17,17X1,78 GLO | 1 |
| 25 | 58038007755 | STOP DISK 8,1 X 15 X 0,5 | 1 |
| 26 | 0799060000 | TAB WASHER DIN6799-RS 6,0 | 1 |
| 28 | 0770320020 | O-RING 32,00X2,00 | 1 |
| 29 | 0025050206 | HH COLLAR SCREW M5X20 TX30 | 2 |

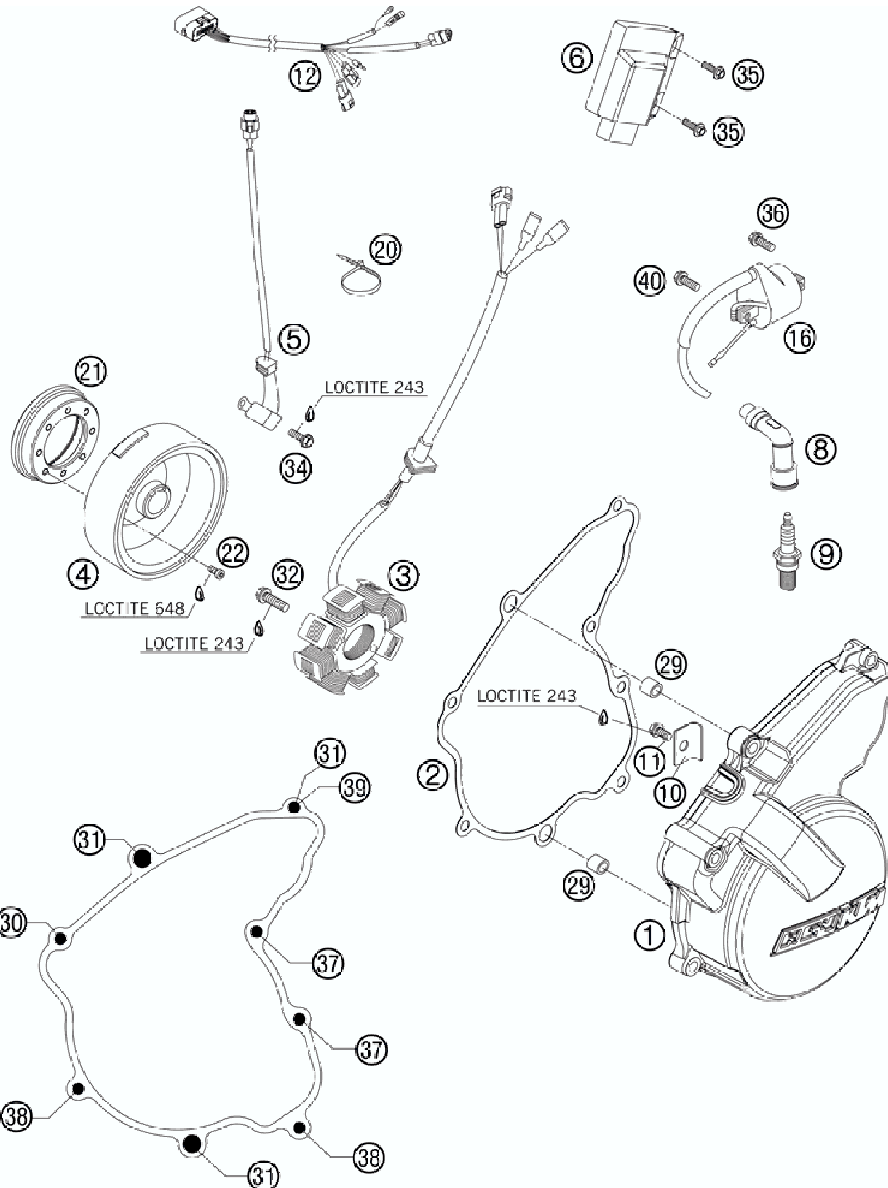
097703810 / C097703810

* NEW PART

X AS REQUIRED

IGNITION SYSTEM

250 EXC-F 2009



| FIG | PART NUMBER | DESCRIPTION | QTY |
|-----|---------------|-------------------------------|-----|
| 1* | 7703010230015 | IGNITION COVER EXC 09 | 1 |
| 2 | 77030140000 | IGNITION COVER GASKET EXC-F | 1 |
| 3 | 77039104000 | STATOR 2007 | 1 |
| 4 | 77039105100 | FLYWHEEL | 1 |
| 5 | 77039134000 | PULSER COIL 08 | 1 |
| 6 | 77039131100 | CDI UNIT 250 EXC-F 07 | 1 |
| 8 | 59039090100 | SPARK PLUG CONNECT. VD05EG 03 | 1 |
| 9 | 77039093000 | SPARK PLUG NGK CR9EKB '05 | 1 |
| 10 | 77030002050 | WIRE RETAINING BRACKET 06 | 1 |
| 11 | 0025060086 | HH COLLAR SCREW M6X8 TX30 | 1 |
| 12 | 59439032100 | WIRING HARNESS FOR CDI EXC 04 | x |
| 16 | 59039006000 | IGNITIONCOIL KOKUSAN 4K3-A/B | 1 |
| 20 | 44011076100 | CABLE TIE 100/2,5MM BLACK | x |
| 21 | 77040025000 | FREEWHEEL HUB | 1 |
| 22 | 00120500810 | AH SCREW DIN6912-M5X8 10.9 | 8 |
| 29 | 49030090000 | DOWEL 9,8 X 7 X 10 | 2 |
| 30 | 0025060506 | HH COLLAR SCREW M6X50 TX30 | 1 |
| 31 | 0025060306 | HH COLLAR SCREW M6X30 TX30 | 3 |
| 32 | 0025060206 | HH COLLAR SCREW M6X20 TX30 | 2 |
| 34 | 0025050166 | HH COLLAR SCREW M5X16 TX30 | 2 |
| 35 | 0024060106 | HH COLLAR SCREW M6X10 TX30 | 2 |
| 36 | 0025060206 | HH COLLAR SCREW M6X20 TX30 | 1 |
| 37 | 0025060256 | HH COLLAR SCREW M6X25 TX30 | 2 |
| 38 | 0025060956 | HH COLLAR SCREW M6X95 TX30 | 2 |
| 39 | 0603061001 | CU-SEAL RING DIN7603-6X10X1 | 1 |
| 40 | 0025060206 | HH COLLAR SCREW M6X20 TX30 | 1 |

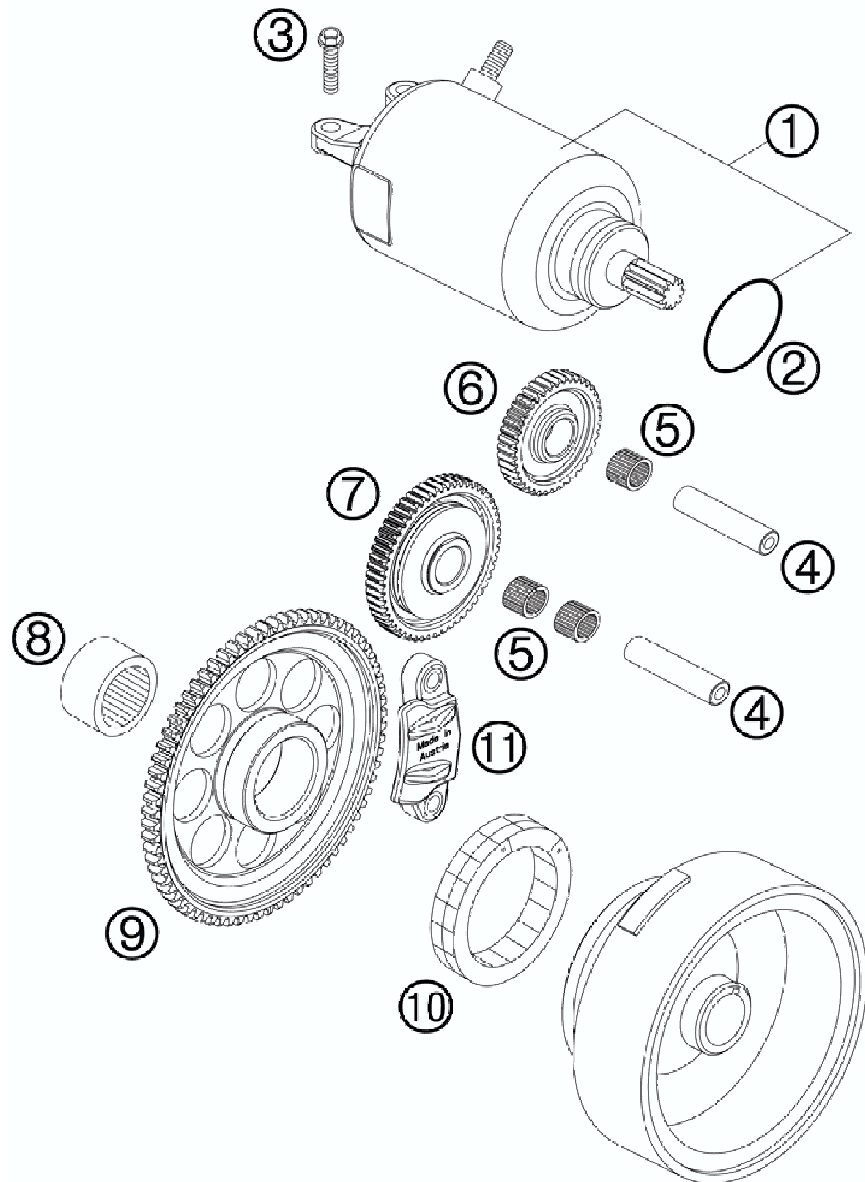
087703910 / C097703911

* NEW PART

X AS REQUIRED

ELECTRIC STARTER

250 EXC-F 2009



| FIG | PART NUMBER | DESCRIPTION | QTY |
|-----|-------------|------------------------------|-----|
| 1 | 77040001000 | E-STARTER ENGINE 2007 | 1 |
| 2 | 0770250030 | O-RING 25,00X3,00 NBR 70 | 1 |
| 3 | 0025060206 | HH COLLAR SCREW M6X20 TX30 | 2 |
| 4 | 59040029000 | BEARING BOLT | 2 |
| 5 | 0405101310 | NEEDLE BEARING K 10X13X10 02 | 3 |
| 6 | 77040022000 | INTERMEDIATE GEAR 36T 06 | 1 |
| 7 | 77040016000 | TORQUE LIMITER CPL. 06 | 1 |
| 8 | 58033097000 | NEEDLE BEARING HK 2216 | 1 |
| 9 | 77040020000 | FREE WHEEL GEAR | 1 |
| 10 | 80040026000 | FREE WHEEL 03 | 1 |
| 11 | 77040027000 | HOLDER FREE WHEEL GEAR 06 | 1 |

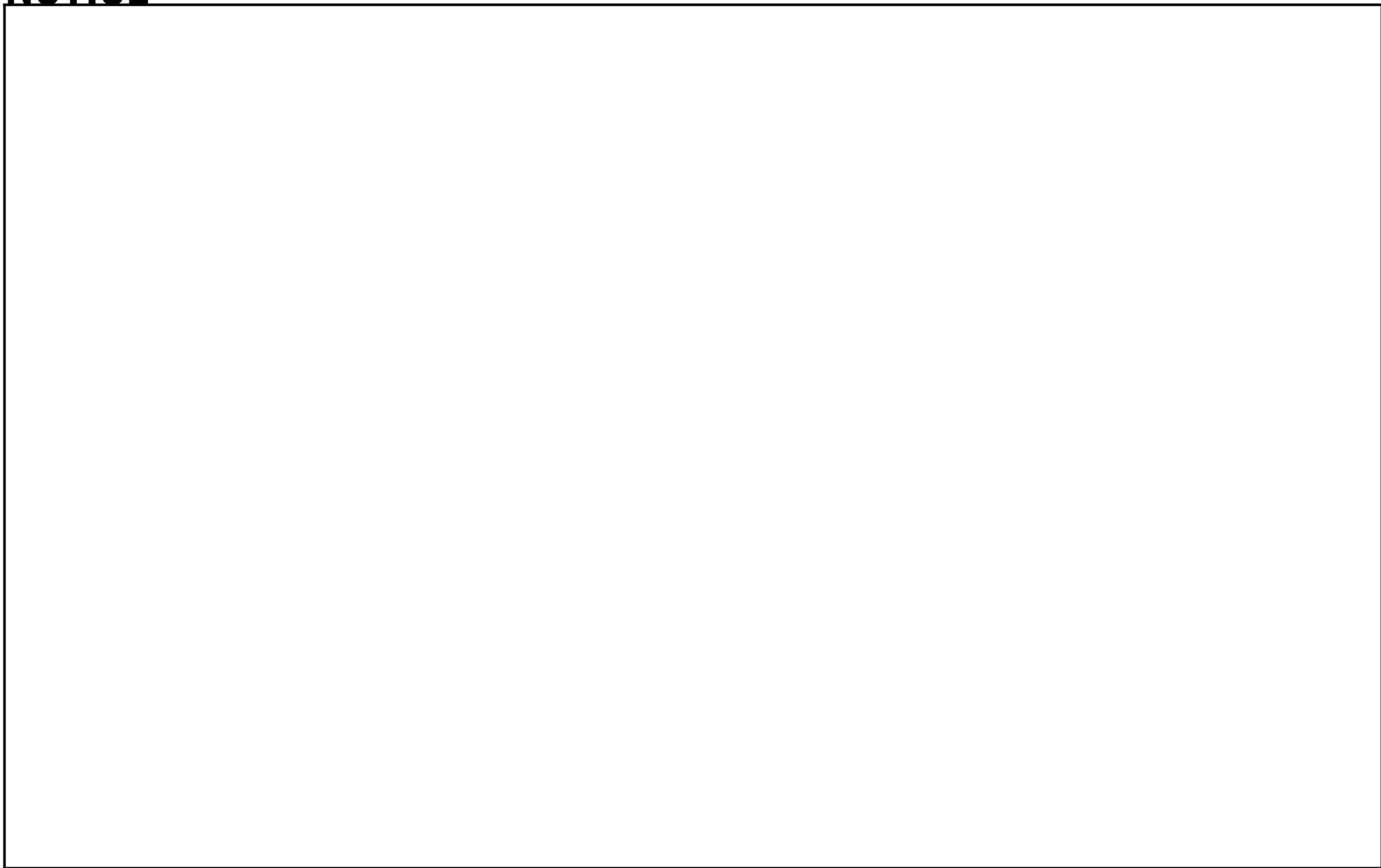
097704010 / C097704010

* NEW PART

X AS REQUIRED

NOTICE

250 EXC-F 2009





KTM Group Partner



3CM089311EN



KTM-Sportmotorcycle AG

A-5230 Mattighofen

www.ktm.at