

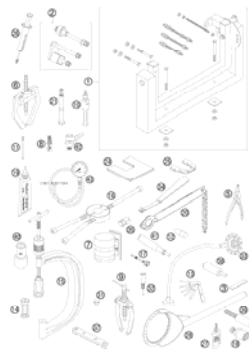
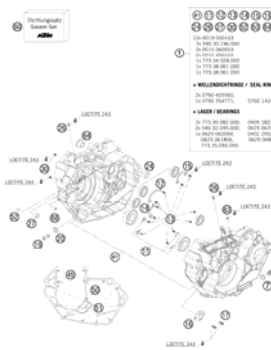
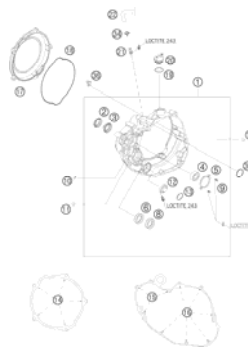
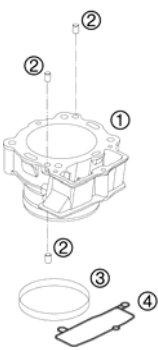
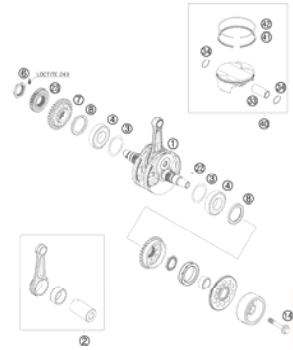

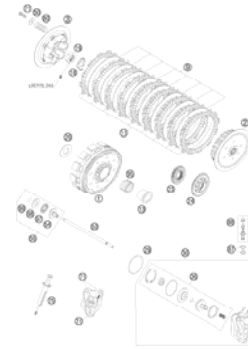
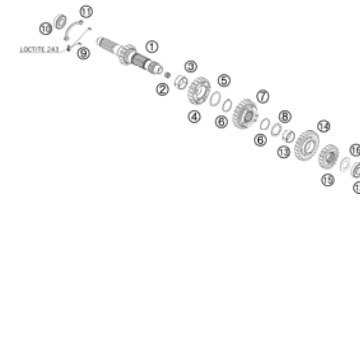
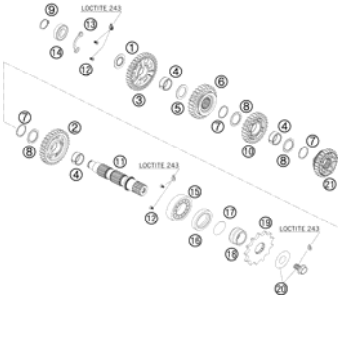

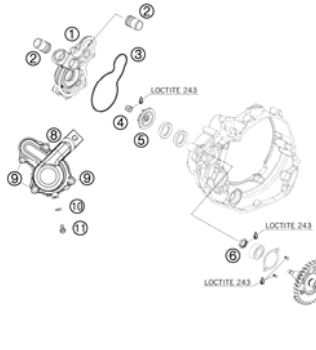
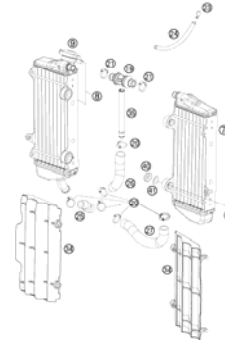
505 XC-F 2009

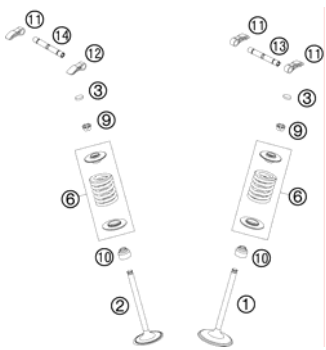
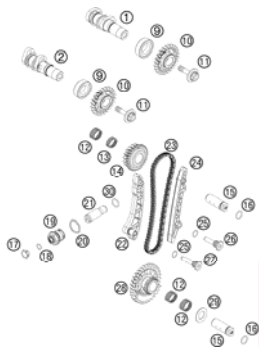
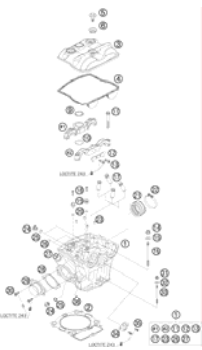


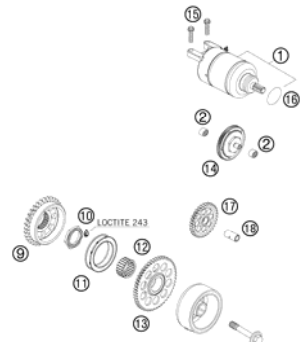
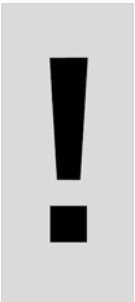
SPARE PARTS MANUAL: ENGINE

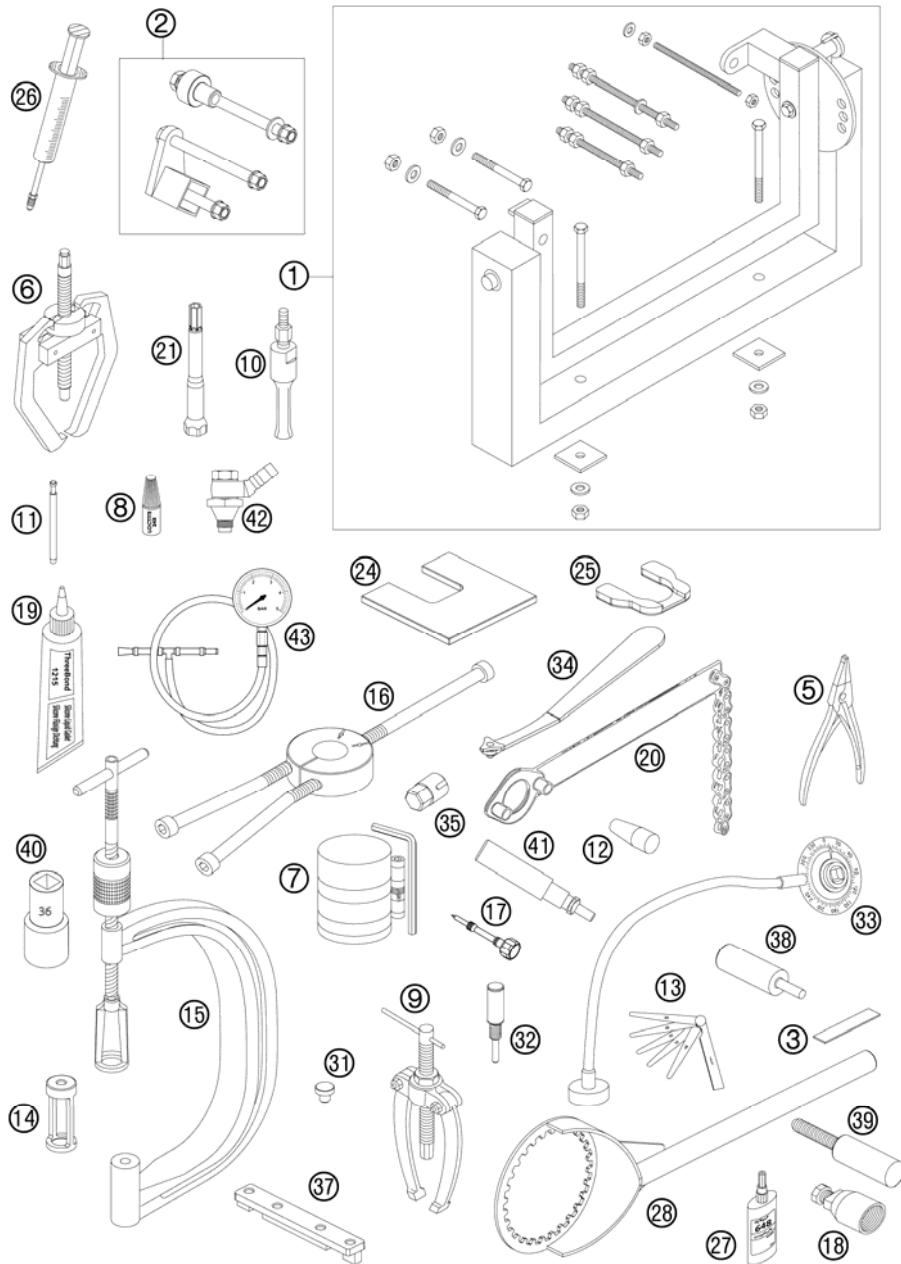
ART.NO.: 3CM089452IEN

ENGLISH



| | | | |
|---|---|---|--|
| SPECIAL TOOLS  3 | ENGINE CASE  5 | CLUTCH COVER  6 | CYLINDER  7 |
| CRANKSHAFT, PISTON  8 | CARBURETOR  9 | CLUTCH  11 | TRANSMISSION I - MAIN SHAFT  12 |
| TRANSMISSION II - COUNTERSHAFT  13 | SHIFTING MECHANISM  14 | WATER PUMP  15 | COOLING SYSTEM  16 |

| | | | |
|--|--|--|---|
| <p>VALVE DRIVE</p>  <p>17</p> | <p>TIMING DRIVE</p>  <p>18</p> | <p>CYLINDER HEAD</p>  <p>19</p> | <p>LUBRICATING SYSTEM</p>  <p>20</p> |
| <p>IGNITION SYSTEM</p>  <p>21</p> | <p>ELECTRIC STARTER</p>  <p>22</p> | | |
|  | | <p>All information contained is without obligation. KTM-Sportmotorcycle AG particularly reserves the right to modify any equipment, technical specifications, prices, colors, shapes, materials, services, service work, constructions, equipment and the like so as to adapt them to local conditions or to cancel any of the above items, all without previous announcement and without giving reasons. KTM may stop manufacturing certain models without previous notice. KTM shall not be held liable for any deviations of availability and/or ability to deliver, illustrations, descriptions, printing and/or other errors. The illustrated models partly contain extra equipment, which is not applied to standard models. © by KTM-SPORTMOTORCYCLE AG, Mattighofen AUSTRIA; All rights reserved; Reprint, also in extracts, with written allowance of KTM-SPORTMOTORCYCLE AG, Mattighofen only.</p> | |

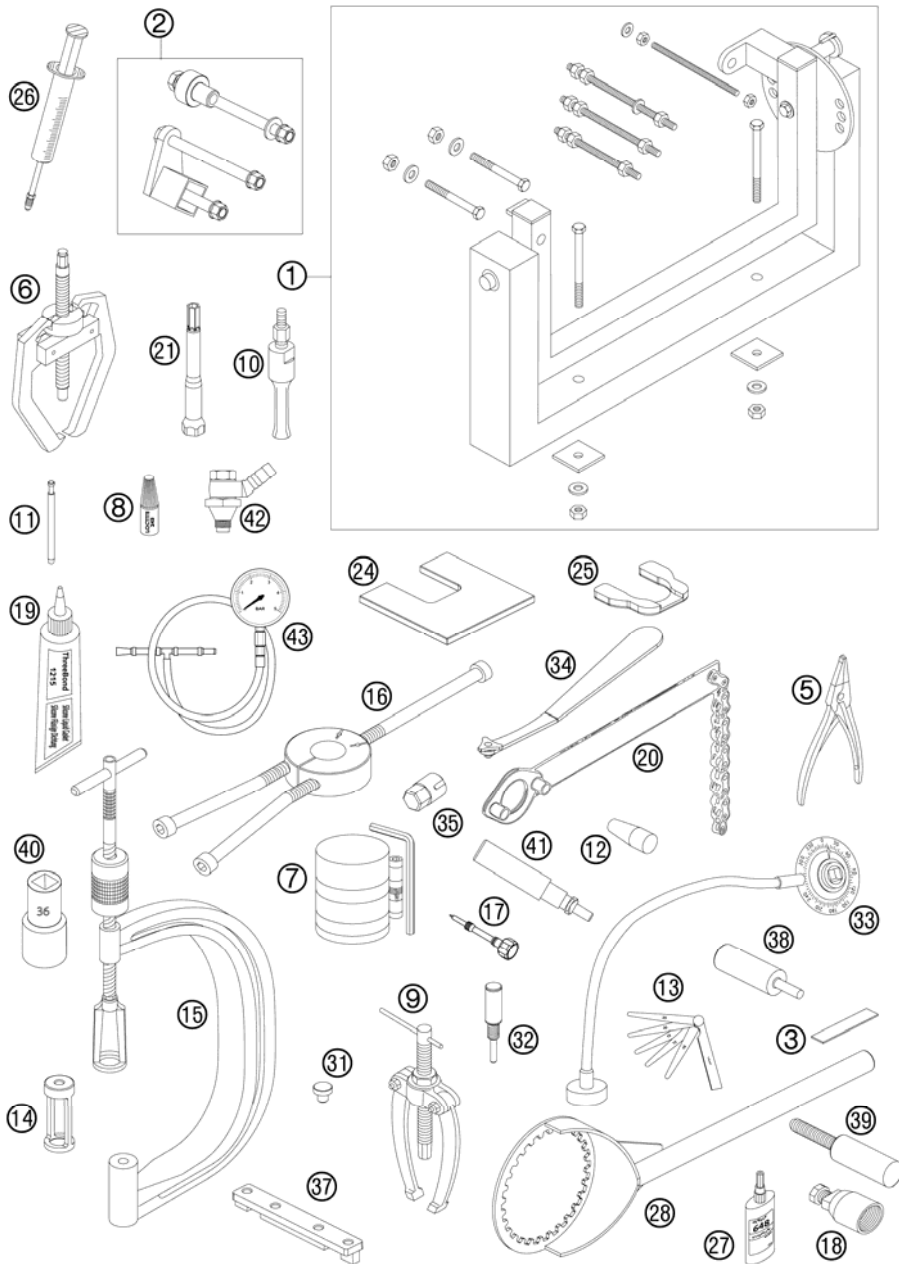


| FIG | PART NUMBER | DESCRIPTION | QTY |
|-----|-------------|--------------------------------|-----|
| 1 | 56012001000 | ASSY SUPPORT (WITHOUT HOLDER) | 1 |
| 2 | 77329002000 | FIXING ARM CPL. 450 SX-F 07 | 1 |
| 3 | 60029012000 | PLASTIGAUGE - MEASURING STRIP | 1 |
| 5 | 51012011000 | SPECIAL CIRCLIP PLIER | 1 |
| 6 | 59029033000 | EXTRACTOR FOR TIMING GEAR | 1 |
| 7 | 60029015000 | PISTON RING COMPRESSOR CPL. 03 | 1 |
| 8 | 6899785 | LOCTITE 243 BLUE 6CCM | 1 |
| 9 | 15112017000 | BUSHING EXTRACTOR | 1 |
| 10 | 15112018000 | INTERN.BEAR.PULLER 12-16 MM | 1 |
| 10 | 15112018100 | INTERN.BEAR.PULLER 18-23 MM | 1 |
| 10 | 15112018200 | INTERN.BEAR.PULLER 5-7 MM | 1 |
| 10 | 77329020000 | INTERN.BEAR.PULLER 8-12 MM | 1 |
| 11 | 59029026006 | LIMIT PLUG GAUGE F.VALVE GUIDE | 1 |
| 12 | 58529005000 | MOUNT.SLEEVE F. SH.S.RING WAPU | 1 |
| 13 | 59029041000 | FEEL. GAUGE SET 10,12,15,20,25 | 1 |
| 14 | 77329060000 | INSERT FOR VALVE SPRING LEVER | 1 |
| 15 | 59029019000 | VALVE SPRING LEVER | 1 |
| 16 | 58429037037 | MOUNTING TOOL INNER RING NJ206 | 1 |
| 17 | 59031017200 | MIXT. CONTROL SCREW FACTORY 04 | 1 |
| 18 | 58012009000 | FLYWHEEL EXTRACTOR | 1 |
| 19 | 309098 | SILICON GASKET THREE-BOND | 1 |
| 20 | 51012012000 | HOLDING SPANNER FOR SPROCKET | 1 |
| 21 | 77329072000 | SPARK PLUG WRENCH | 1 |
| 24 | 77629009001 | EXTRUDE PLATE BASE F. CRANKSH. | 1 |
| 25 | 77629009002 | EXTRUDE PLATE TOP F. CRANKSH. | 1 |
| 26 | 50329050000 | VENT INJEKTION HYDR. CLUTCH | 1 |
| 27 | 58429059000 | LOCTITE 648 GREEN 24ML | 1 |
| 28 | 77329003000 | HOLD. PLATE CLUTCH 450 SX-F 07 | 1 |
| 31 | 75029090000 | PROTECTOR CAP F.CRANKSHAFT 07 | 1 |
| 32 | 77329012100 | ASSEMB. PIN F. GUID. AGW-ZR-KS | 1 |
| 33 | 60029010000 | DEGREE DISK 360DEG - 1/2 INCH | 1 |
| 34 | 77329034000 | WRENCH F.MIXTURE CONTROL SCREW | 1 |
| 35 | 77329081000 | SP. WRENCH F.HOSE CONNECTOR 07 | 1 |
| 37 | 77329050000 | ADJUST BUSH BRIDGE | 1 |
| 38 | 77329051000 | UNLOCK CHAIN TENSIONER | 1 |
| 39 | 77329010000 | LOCATING SCREW | 1 |

087732910 / C087732910

* NEW PART

X AS REQUIRED

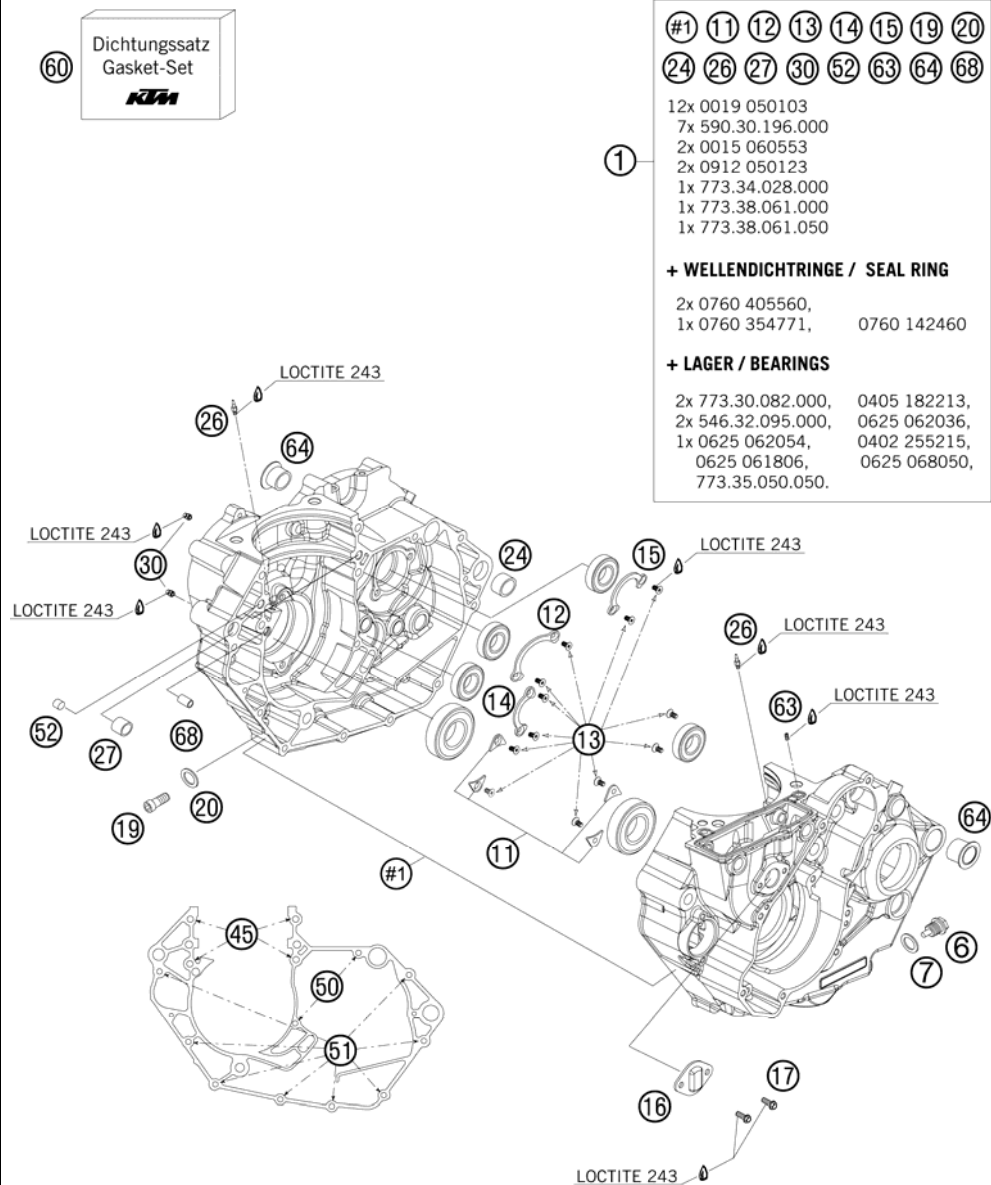


| FIG | PART NUMBER | DESCRIPTION | QTY |
|-----|-------------|--------------------------------|-----|
| 40 | 77329021000 | SPECIAL SOCKET F. PRIMARY GEAR | 1 |
| 41 | 77329030100 | PLUG IN FUSE PISTON PIN | 1 |
| 42 | 77329006000 | ADAPTOR F.OIL PRESSURE GAUGE | 1 |
| 43 | 61029094000 | EFI PRESSURE TESTER | 1 |

087732910 / C087732910

* NEW PART

X AS REQUIRED



| FIG | PART NUMBER | DESCRIPTION | QTY |
|-----|-------------|--------------------------------|-----|
| 1 | 77330000244 | ENGINE CASE CPL. W.TR.BEAR. 08 | 1 |
| 6 | 58030021000 | OILDRAIN PLUG W.MAG. M 12X1,5 | 1 |
| 7 | 58038022000 | CU-SEAL RING DIN7603-12X18X1,5 | 1 |
| 11 | 77330085000 | BUSHING RETAINING PLATE | 4 |
| 12 | 77333022100 | BUSHING RETAINING PLATE | 1 |
| 13 | 0019050103 | INT. TORX FLAT HEAD M 5X10 8.8 | 12 |
| 14 | 77334090000 | BUSHING RETAINING PLATE | 1 |
| 15 | 77333024100 | BUSHING RETAINING PLATE | 1 |
| 16 | 77336075050 | RETAINING PLATE | 1 |
| 17 | 0025050106 | COLLAR SCREW M5X12 ISA30 | 2 |
| 19 | 0012080203 | AH SCREW DIN6912-M 8X20 | 1 |
| 20 | 0603082121 | SEAL RING CU DIN7603- 8X12X1 | 1 |
| 24 | 59030024000 | DOWEL 17 X 19 X 12 | 1 |
| 26 | 60030063050 | OIL JET 50 05 | 2 |
| 27 | 54630027000 | DOWEL BUSHING 13,8X11X12 | 1 |
| 30 | 59030058000 | JET 100 BING(44-031/180) M4 | 2 |
| 45 | 77330067170 | SCREW M7-1,0X70 | 4 |
| 50 | 0025060706 | HH COLLAR SCREW M6X70 TX30 | 2 |
| 51 | 0025060556 | HH COLLAR SCREW M6X55 TX30 | 8 |
| 52 | 0402080120 | CYLINDER ROLLER ZRO. 8,0X12 M4 | 2 |
| 60 | 77330099000 | GASKET SET 450SX-F | 1 |
| 63 | 77338029052 | THROTTLE M5X10X1 | 1 |
| 64 | 75030010000 | CASE BUSH | 2 |
| 68 | 59030023000 | DOWEL 6X8X11,5 | 1 |

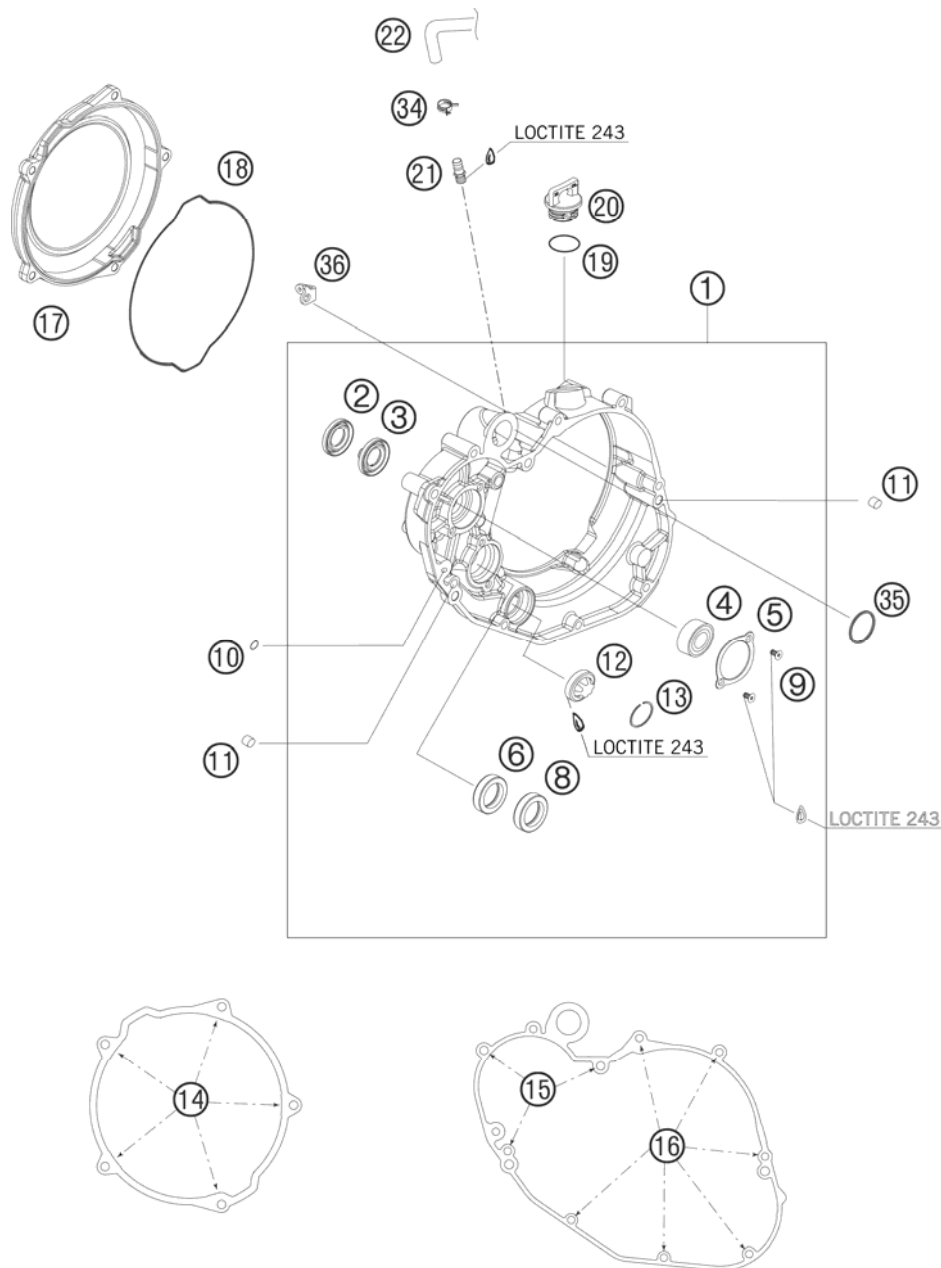
087733010 / C097733010

* NEW PART

X AS REQUIRED

CLUTCH COVER

505 XC-F 2009



| FIG | PART NUMBER | DESCRIPTION | QTY |
|-----|---------------|--------------------------------|-----|
| 1* | 7733000124415 | CLUTCH COVER CPL. | 1 |
| 2 | 77335057000 | SHAFT SEAL RING 12x24x4 | 1 |
| 3 | 77335056000 | SHAFT SEAL RING 12x24x4/5,5 | 1 |
| 4 | 0625062021 | BALL BEARING 6202 C0 2RSH | 1 |
| 5 | 77335064100 | RETAINING PLATE FOR WAPUSTOCK | 1 |
| 6* | 0760203071 | SHAFT SEAL RING 20X30X7 | 1 |
| 8 | 0760253574 | SHAFT SEAL RING 12x35x7 BSL VI | 1 |
| 9 | 0019050103 | INT. TORX FLAT HEAD M 5X10 8.8 | 2 |
| 10 | 0770080015 | O-RING 8,00X1,5 NBR 70 | 1 |
| 11 | 0402080120 | CYLINDER ROLLER ZRO. 8,0X12 M4 | 2 |
| 12 | 59030019000 | OIL LEVEL GLASS G 1777 Y | 1 |
| 13 | 61030019050 | CIRCLIP OIL LEVEL GLASS 03 | 1 |
| 14 | 0025060206 | HH COLLAR SCREW M6X20 TX30 | 5 |
| 15 | 77330067145 | SCREW M7-1,0X45 | 3 |
| 16 | 0025060306 | HH COLLAR SCREW M6X30 TX30 | 6 |
| 17* | 7733002620015 | CLUTCH COVER OUTSIDE 09 | 1 |
| 18 | 77330027000 | CLUTCH CASE GASKET | 1 |
| 19 | 0770191015 | O-RING 19,00X3,00 NBR | 1 |
| 20 | 58030020100 | PLUG CPL. M24X3 | 1 |
| 21 | 59030022100 | BLEEDER FLANGE M12X1,5 WS=13 | 1 |
| 22* | 77330086100 | ENGINE BREATHER TUBE | 1 |
| 34 | 58431082100 | YDNAC-CLAMP 10173 (16MM) '98 | 1 |
| 35 | 77335005000 | QUAD-RING 28,3X1,78 VITON | 1 |
| 36 | 77303026054 | SPRING BRACKET | 1 |

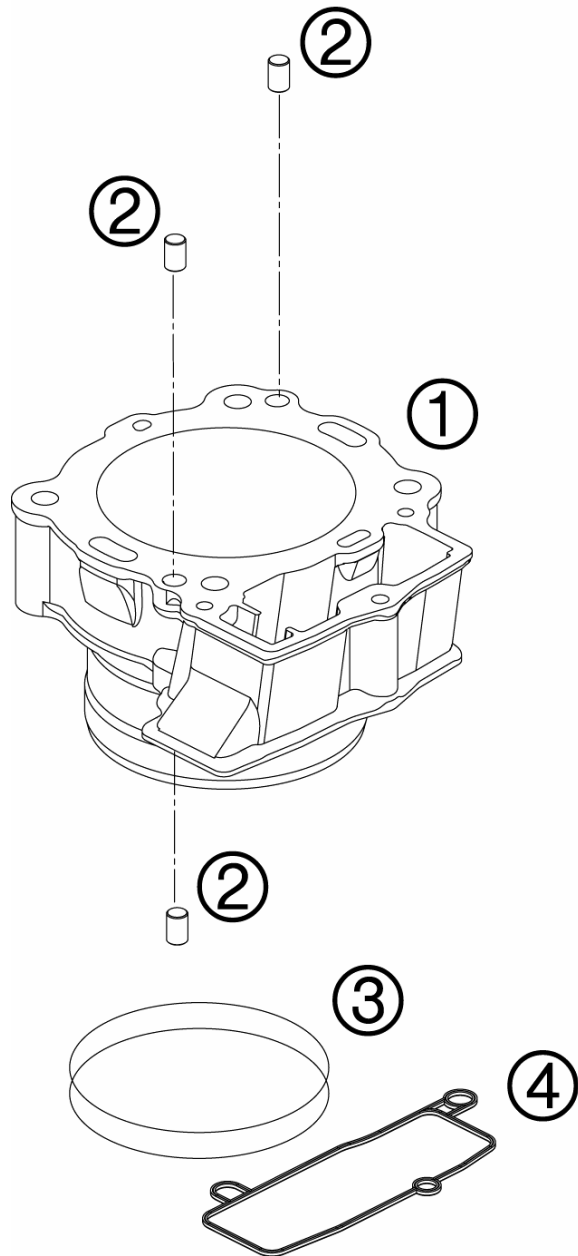
097733020 / C097733020

* NEW PART

X AS REQUIRED

CYLINDER

505 XC-F 2009



| FIG | PART NUMBER | DESCRIPTION | QTY |
|-----|-------------|--------------------------------|-----|
| 1* | 77630005100 | CYLINDER 505 09 | 1 |
| 2 | 0402080120 | CYLINDER ROLLER ZRO. 8,0X12 M4 | 3 |
| 3 | 0770108018 | O-RING 107,67x1,78 VITON | 2 |
| 4 | 77330035000 | GASKET GEAR CASE | 1 |

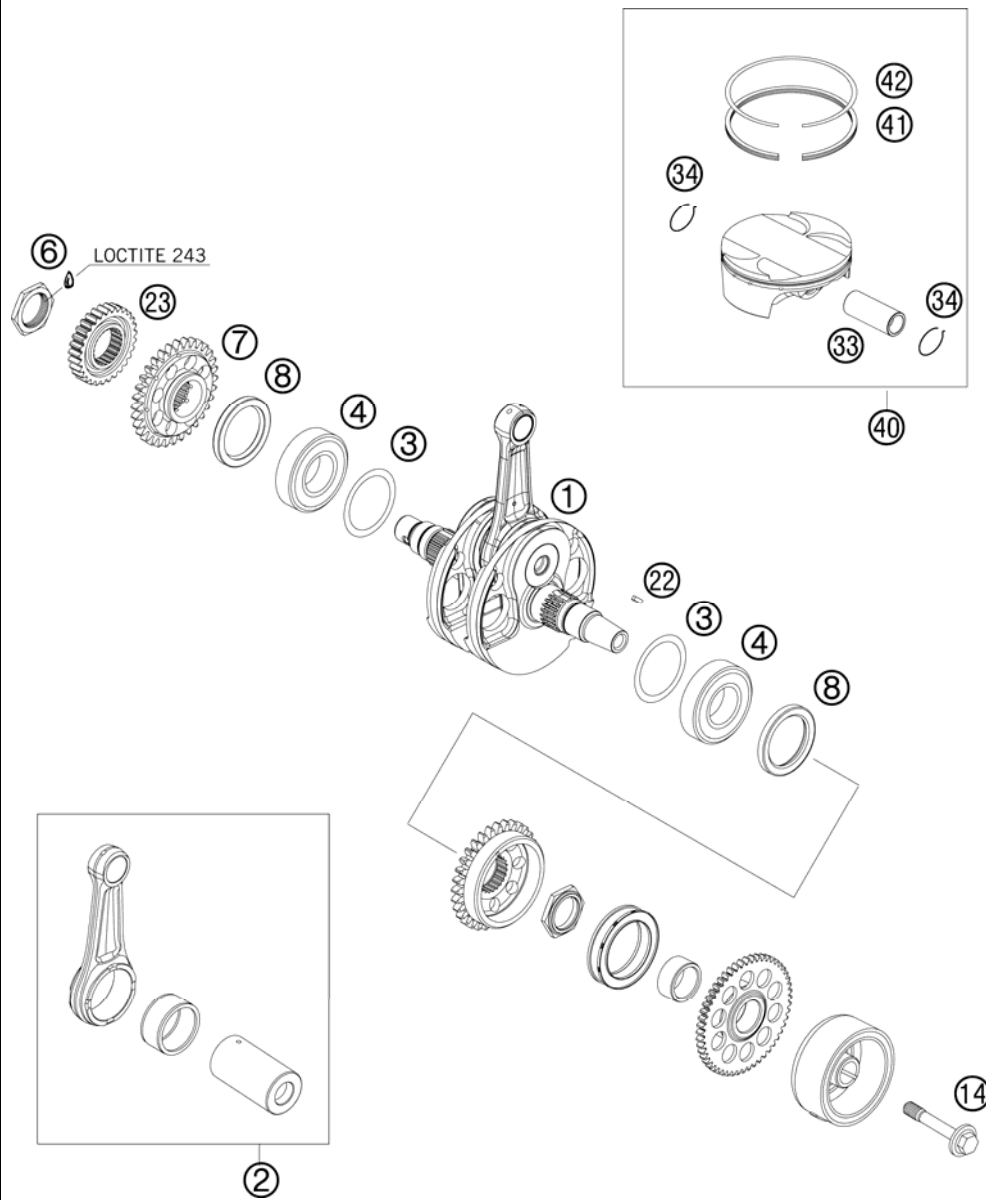
087733040 / C097763040

* NEW PART

X AS REQUIRED

CRANKSHAFT, PISTON

505 XC-F 2009



| FIG | PART NUMBER | DESCRIPTION | QTY |
|-----|----------------|--------------------------------|-----|
| 1* | 77630018200 | CRANKSHAFT CPL. 08 | 1 |
| 2 | 77630015144 | CONNECTING ROD REPAIR SET | 1 |
| 3 | 0988304201 | THRUST WASHER 30X42X0,1 | x |
| 3 | 0988304202 | THRUST WASHER 30X42X0,2 | x |
| 3 | 0988304203 | THRUST WASHER 30X42X0,3 | x |
| 4 | 77330082000 | CYL. ROLLER BEARING NJ206 ECP | 2 |
| 6 | 77330029000 | COLLAR NUT M27X1 | 1 |
| 7* | 77330055110 | DRIVE WHEEL AGZR KS Z=32 | 1 |
| 8 | 0760405560 | SHAFT SEAL RING A40x55x6 VITON | 2 |
| 14* | 77339010100 | FLYWHEEL SCREW | 1 |
| 22 | 0888030037 | WOODRUFF KEY DIN6888-3X3,7 | 1 |
| 23* | 77332023129 | PRIMARY GEAR | 1 |
| 33 | 77630033000 | PISTON PIN | 1 |
| 34 | 77630074000 | CIRCLIP | 1 |
| 40* | 77630007200 I | PISTON 450 | 1 |
| 40* | 77630007200 II | PISTON 450 | 1 |
| 41 | 77630032000 | OIL SCRAPER RING | 1 |
| 42 | 77630030000 | RECTANGULAR RING D=100 07 | 1 |

097733060 / C097763060

* NEW PART

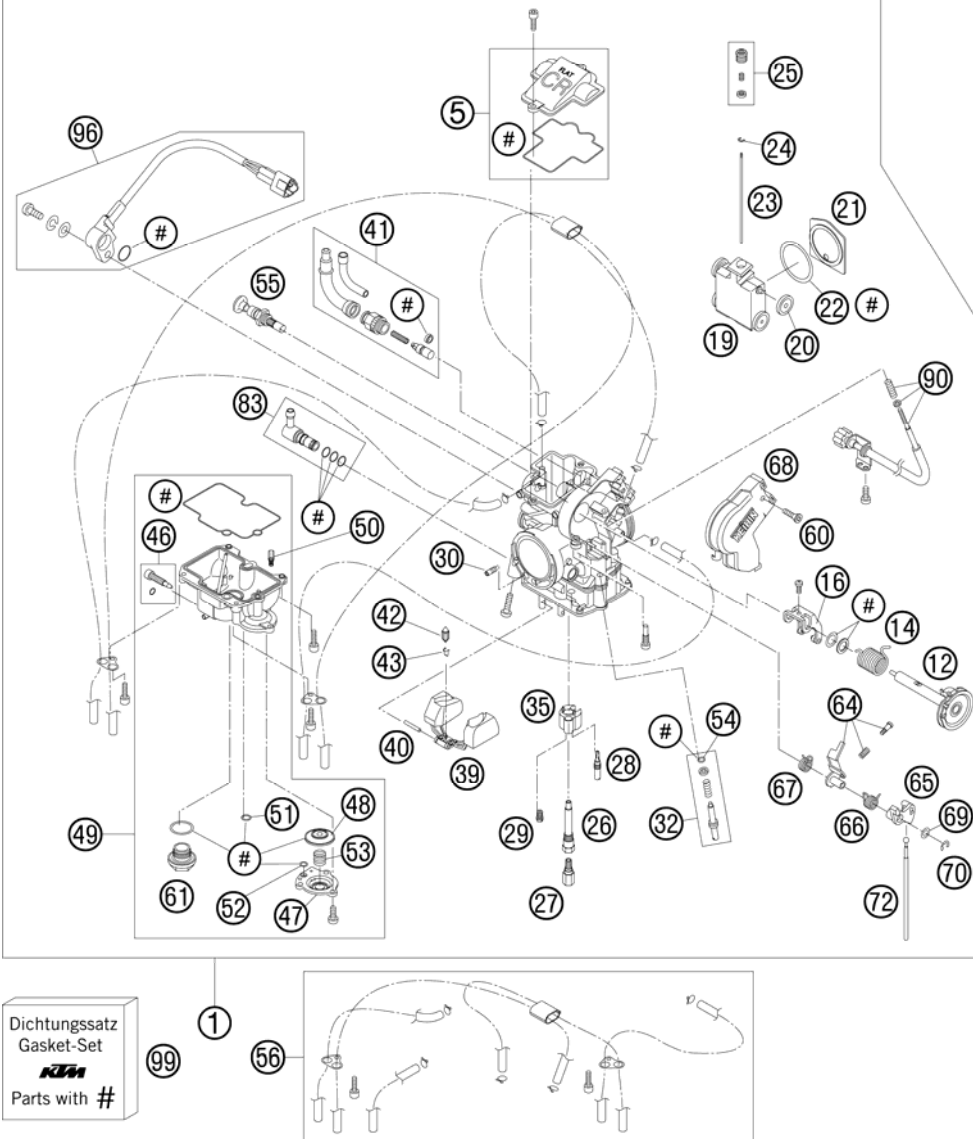
X AS REQUIRED

CARBURETOR

505 XC-F 2009

ACHTUNG !!!
Vor dem Einbau des Vergasers,
Bedüsung kontrollieren.

CAUTION !!!
Before mounting the carburetor,
check the jetting.



| FIG | PART NUMBER | DESCRIPTION | QTY |
|-----|-------------|--------------------------------|-----|
| 1 | 77331001100 | CARBURETOR FCR-MX 4125I,TPS 08 | 1 |
| 5 | 57331027044 | CARBURETOR COVER WITH GASKET | 1 |
| 12 | 57331046100 | THROTTLE SHAFT CPL. 06 | 1 |
| 14 | 57331046050 | COIL SPRING THROTTLE SHAFT | 1 |
| 16 | 76231035051 | LINK ARM THROTTLE VALVE CPL.07 | 1 |
| 19 | 57331035100 | THROTTLE VALVE CPL. FCRMX 2007 | 1 |
| 20 | 59031035050 | BUSHING THROTTLE VALVE | 1 |
| 21 | 57331035153 | GASKET PLATE THROTTLE VALVE 04 | 1 |
| 22 | 59031035052 | GASKET WASHER THROTTLE VALVE | 1 |
| 23 | 59031021000 | JET NEEDLE KEIHIN OBDTM | x |
| 23 | 59031034000 | JET NEEDLE KEIHIN OBDTN | x |
| 23 | 59031034400 | JET NEEDLE KEIHIN OBDTP | x |
| 23 | 59031034500 | JET NEEDLE KEIHIN OBDTQ | x |
| 23 | 59031034600 | JET NEEDLE KEIHIN OBDTR | x |
| 24 | 59031029000 | BAR CLIP | 1 |
| 25 | 57331032000 | NEEDLE SET SCREW CPL. | 1 |
| 26 | 59031121000 | NEEDLE JET FCR-MX | 1 |
| 27 | 54531623180 | MAIN JET 180 KEIHIN | x |
| 27 | 54531623182 | MAIN JET 182 KEIHIN | x |
| 27 | 54531623185 | MAIN JET 185 KEIHIN | x |
| 27 | 54531623188 | MAIN JET 188 KEIHIN | x |
| 27 | 54531623190 | MAIN JET 190 KEIHIN | x |
| 27 | 54531623192 | MAIN JET 192 KEIHIN | x |
| 27 | 54531623195 | MAIN JET 195 KEIHIN | x |
| 28 | 54531607040 | IDLE JET 40 KEIHIN | x |
| 28 | 54531607042 | IDLE JET 42 KEIHIN | x |
| 28 | 54531607045 | IDLE JET 45 KEIHIN | x |
| 29 | 59031051085 | STARTER JET 85 | 1 |
| 30 | 57331107100 | IDLE AIR JET 100 KEIHIN | 1 |
| 32 | 59031017100 | ADJUST SCREW CPL. FCR-MX | 1 |
| 35 | 57331085000 | BUFFER PLATE | 1 |
| 39 | 57331009000 | FLOAT CPL. | 1 |
| 40 | 57331008000 | ARM PIN FLOAT | 1 |
| 41 | 77031075000 | HOT-STARTER VALVE | 1 |
| 42 | 54631220000 | FLOAT NEEDLE | 1 |
| 43 | 54531621000 | CLAMP | 1 |

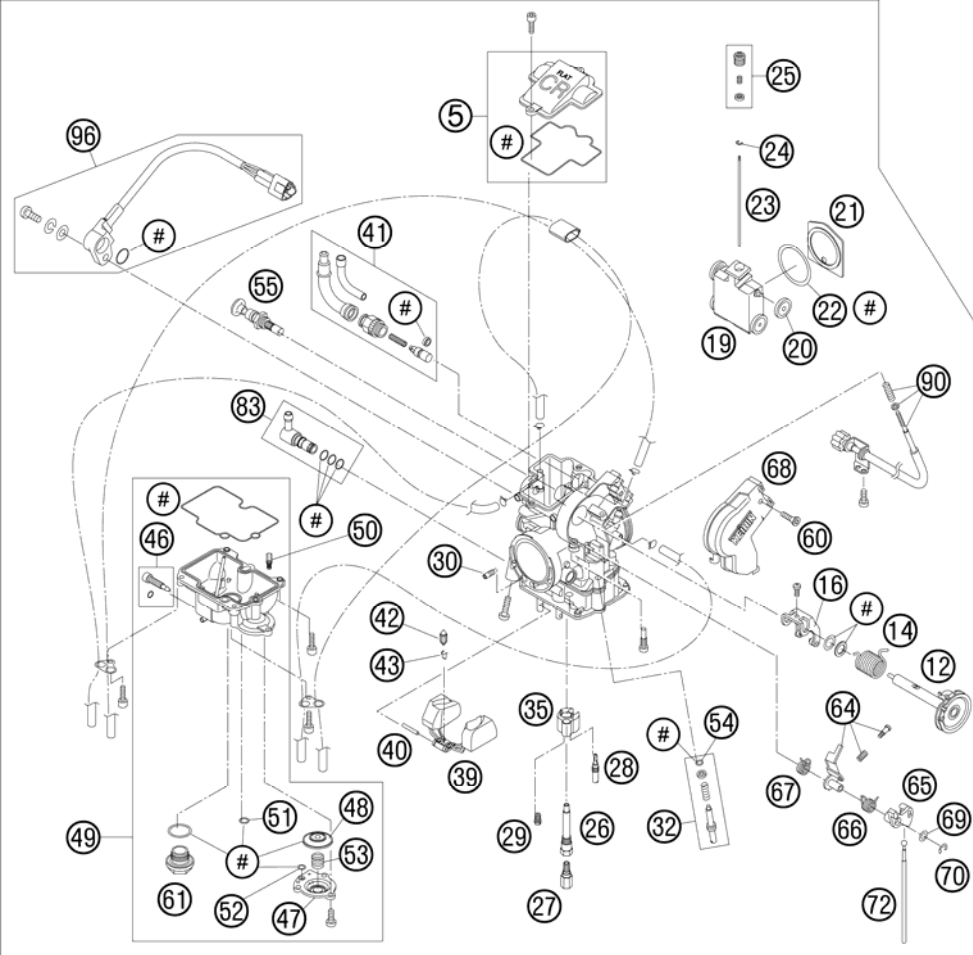
097733110 / C097733110

* NEW PART

X AS REQUIRED

ACHTUNG !!!
Vor dem Einbau des Vergasers,
Bedüsung kontrollieren.

CAUTION !!!
Before mounting the carburetor,
check the jetting.



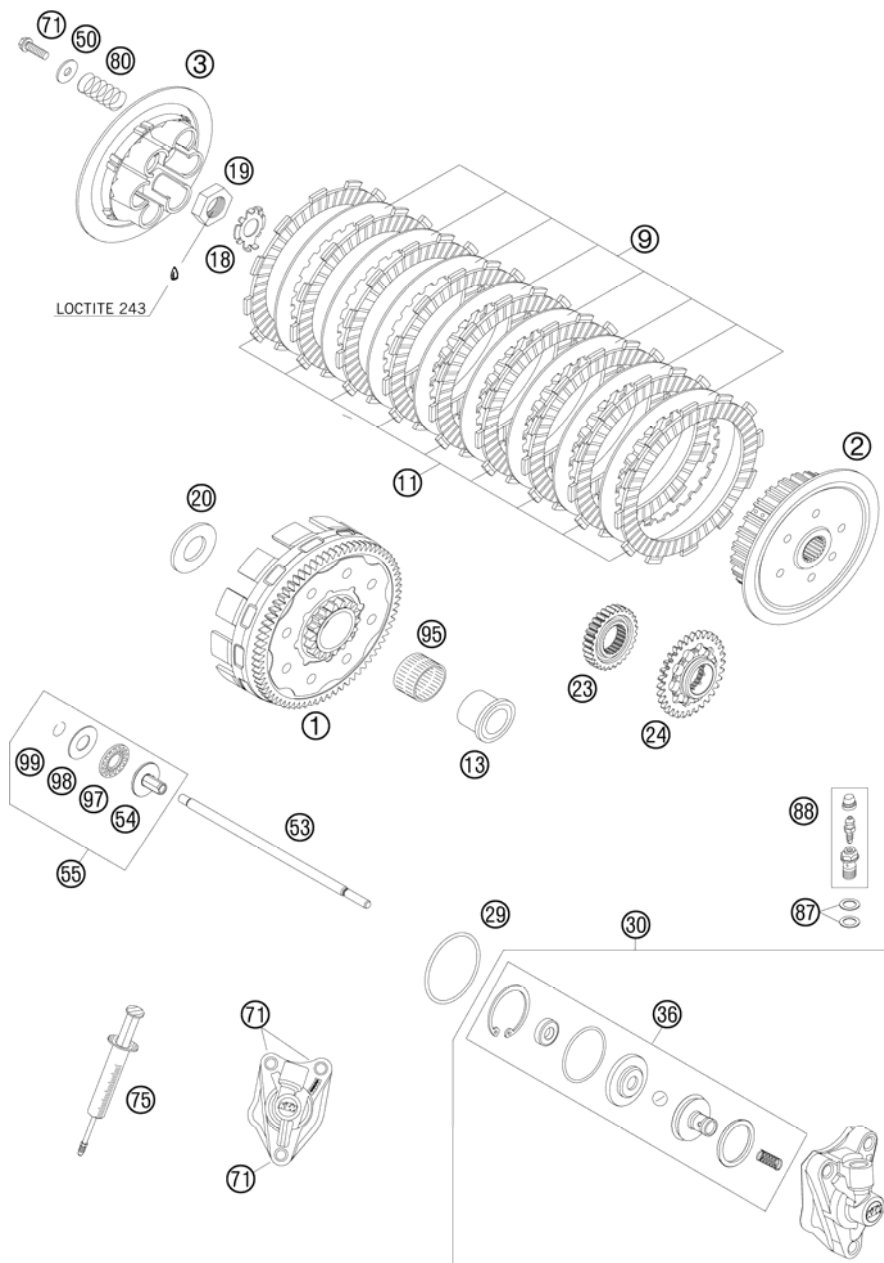
Dichtungssatz
Gasket-Set
KTM
Parts with #

| FIG | PART NUMBER | DESCRIPTION | QTY |
|-----|-------------|--------------------------------|-----|
| 46 | 76231155000 | DRAIN SCREW FLOAT CHAMBER | 1 |
| 47 | 57331060000 | COVER ACCELERATOR PUMP | 1 |
| 48 | 57331057100 | DIAPHRAGM ACCELERATOR PUMP | 1 |
| 49 | 78031011000 | FLOAT CHAMBER CPL. 08 | 1 |
| 50 | 54631085000 | JET POWER JET CLOSED KEIHIN | x |
| 50 | 54631085040 | JET POWER JET 40 KEIHIN | x |
| 50 | 54631085050 | JET POWER JET 50 KEIHIN | x |
| 50 | 54631085060 | JET POWER JET 60 KEIHIN | x |
| 50 | 54631085070 | JET POWER JET 70 KEIHIN | x |
| 51 | 59031058100 | O-RING | 1 |
| 52 | 59031058000 | U-RING | 1 |
| 53 | 59031059000 | COIL SPRING | 1 |
| 54 | 54831072000 | O-RING ADJUSTING SCREW | 1 |
| 55 | 77031048000 | STARTER VALVE SHORT CPL. | 1 |
| 56 | 57331098000 | BREATH.HOSE FCR-MX KEIHIN CPL. | 1 |
| 60 | 0965050103 | FLAT HEAD SCREW DIN0965-M 5X10 | 1 |
| 61 | 54531699000 | PLUG M 18X1 | 1 |
| 64 | 57331062000 | INTERMEDIATE LEVER CPL. | 1 |
| 65 | 57331056000 | LINK LEVER | 1 |
| 66 | 57331059000 | SPRING LINK LEVER | 1 |
| 67 | 57331159000 | SPRING INTERMEDIATE LEVER | 1 |
| 68 | 57331038200 | CARBURETOR COVER 06 | 1 |
| 69 | 57331087000 | WASHER LINK LEVER | 1 |
| 70 | 57331084000 | E-CLIP | 1 |
| 72 | 57331061000 | ROD ACCELERATOR PUMP | 1 |
| 83 | 59031013044 | HOSE CONNECTOR CPL. | 1 |
| 90 | 57331025000 | STOP SCREW CPL. FCR-MX | 1 |
| 96 | 59031077200 | TPS-SENSOR FCRMX 190MM 2006 | 1 |
| 99 | 57331099000 | GASKET SET FCR-MX KEIHIN | 1 |

097733110 / C097733110

* NEW PART

X AS REQUIRED



| FIG | PART NUMBER | DESCRIPTION | QTY | |
|-----|-------------|--------------------------------|-----|---|
| 1 | 77332001244 | OUTER CLUTCH CPL. | 08 | 1 |
| 2 | 77332002200 | INNER CLUTCH HUB | 08 | 1 |
| 3 | 77332003000 | PRESSURE PLATE | | 1 |
| 9 | 77332010000 | INTERMEDI. DISC STEEL | | 8 |
| 11 | 77332011000 | LINING DISC 2,7MM | | 9 |
| 13 | 77332015100 | INNER RING | | 1 |
| 18 | 77332018000 | RETAINING PLATE | | 1 |
| 19 | 0936181505 | HEXAGON NUT DIN0936-M18X1,5 R. | | 1 |
| 20 | 77332017100 | WASHER 21,7X38X4 | 07 | 1 |
| 23* | 77332023129 | PRIMARY GEAR | | 1 |
| 24* | 77330055110 | DRIVE WHEEL AGZR KS Z=32 | | 1 |
| 29 | 0770380020 | O-RING 38,00X2,00 NBR 70 SH | | 1 |
| 30 | 77332061044 | OUTPUT CYLINDER CPL. | | 1 |
| 36 | 77332066000 | PISTON CPL. | | 1 |
| 50 | 50232050000 | WASHER 6,2X18X2 | | 6 |
| 53 | 77332054100 | PUSH ROD | 07 | 1 |
| 54 | 77332057100 | PRESSURE PIECE | | 1 |
| 55 | 77332057144 | PRESSURE PIECE CPL. | | 1 |
| 71 | 0025060256 | HH COLLAR SCREW M6X25 TX30 | | 9 |
| 75 | 50329050000 | VENT INJEKTION HYDR. CLUTCH | | 1 |
| 80 | 77332005000 | CLUTCH SPRING | | 6 |
| 87 | 42013226000 | CU-SEAL RING DIN7603-10X16X1 | | 2 |
| 88 | 62513020000 | BLEEDER SCREW CPL. | 05 | 1 |
| 95 | 56532095000 | NEEDLE BEARING K26X30X22ZW.KSE | | 1 |
| 97 | 54637097200 | AXIAL NEEDLE BEARING AXK 1226 | | 1 |
| 98 | 54637098200 | AXIAL WASHER AS1226 12X26X1 | | 1 |
| 99 | 0993012000 | CIRCLIP DIN7993-RW12 | | 1 |

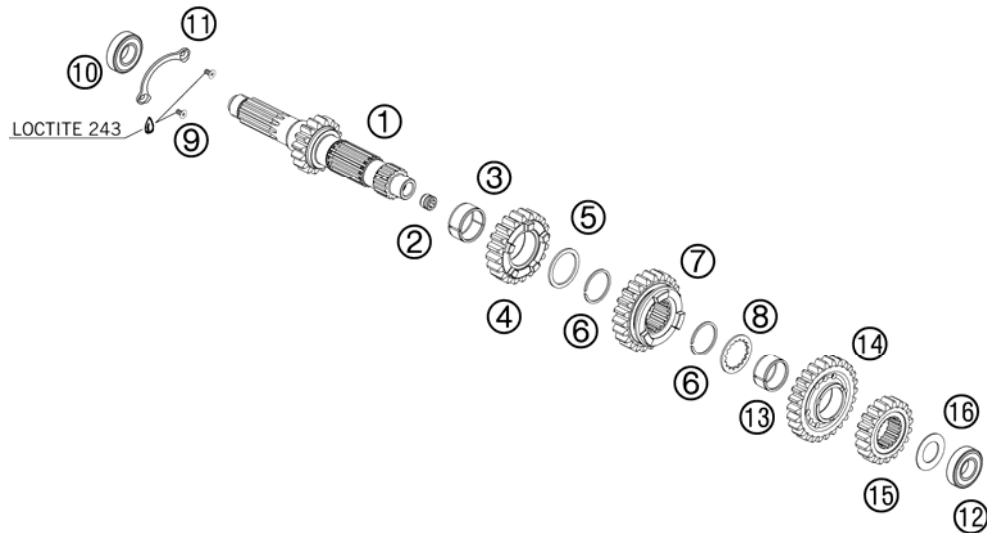
097733210 / C097733210

* NEW PART

X AS REQUIRED

TRANSMISSION I - MAIN SHAFT

505 XC-F 2009



| FIG | PART NUMBER | DESCRIPTION | QTY |
|-----|-------------|--------------------------------|-----|
| 1 | 77333301000 | MAIN SHAFT | 1 |
| 2 | 77333001160 | GUIDE BUSHING | 1 |
| 3 | 0405242813G | NEEDLE BEAR.K 24X28X13 DIVIDED | 1 |
| 4 | 77333303000 | IDLER GEAR 3 G | 1 |
| 5 | 78033031000 | STOP DISK 26 X 32 X 1,5 | 1 |
| 6 | 0417025000 | CIRCLIP SW25 | 2 |
| 7 | 77333304000 | SLIDING GEAR 4.G | 1 |
| 8 | 78033033000 | STOP DISK 23 X 32 X 1,5 | 1 |
| 9 | 0019050103 | INT. TORX FLAT HEAD M 5X10 8.8 | 2 |
| 10 | 0625062054 | BALL BEARING 6205 C3 NTN | 1 |
| 11 | 77333022100 | BUSHING RETAINING PLATE | 1 |
| 12 | 0625062036 | BALL BEARING 6203 RSH C3 | 1 |
| 13 | 0405222613 | NEEDLE BEAR. K 22X26X13 TN | 1 |
| 14 | 77333305000 | IDLER GEAR 5G | 1 |
| 15 | 77333302000 | SOLID GEAR | 1 |
| 16 | 56033030000 | STOP DISC 17,2X30X1 | 1 |

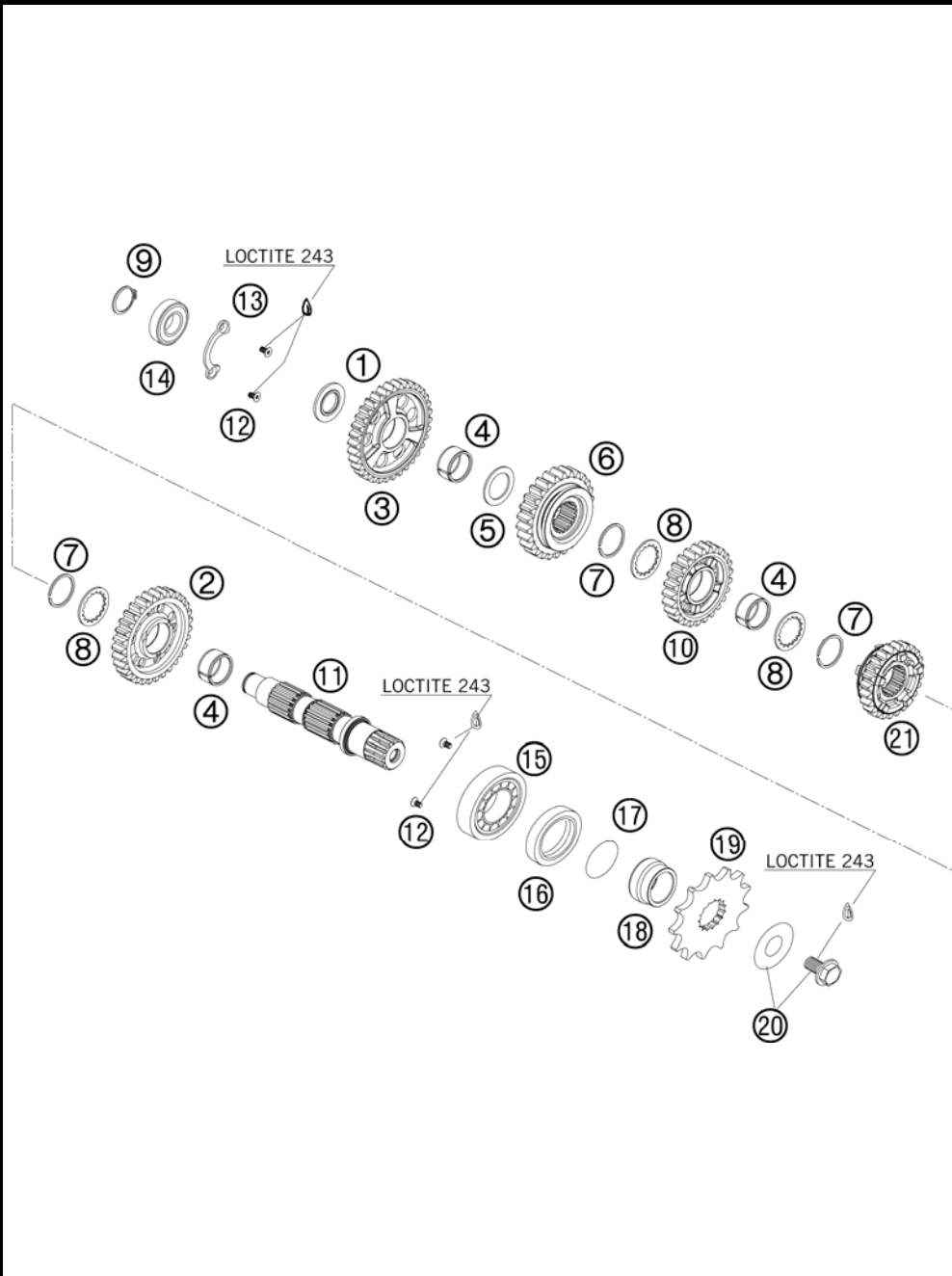
087733331 / C097763330

* NEW PART

X AS REQUIRED

TRANSMISSION II - COUNTERSHAFT

505 XC-F 2009



| FIG | PART NUMBER | DESCRIPTION | QTY |
|-----|-------------|--------------------------------|-----|
| 1 | 77333045000 | STOP DISC 17,1X32X2,6 | 1 |
| 2 | 77333312000 | IDLER GEAR 2.G | 1 |
| 3 | 77333311000 | IDLER GEAR 1.G | 1 |
| 4 | 0405222613 | NEEDLE BEAR. K 22X26X13 TN | 3 |
| 5 | 77333044000 | STOP DISC 22,2X32X1,5 | 1 |
| 6 | 77333313000 | SLIDING GEAR 3RD G | 1 |
| 7 | 0417025000 | CIRCLIP SW25 | 3 |
| 8 | 78033033000 | STOP DISK 23 X 32 X 1,5 | 3 |
| 9 | 0471170015 | CIRCLIP DIN 0471-17X1, 5 | 1 |
| 10 | 77333314000 | IDLER GEAR 4TH. G. | 1 |
| 11 | 77333310000 | COUNTERSHAFT | 1 |
| 12 | 0019050103 | INT. TORX FLAT HEAD M 5X10 8.8 | 4 |
| 13 | 77333024100 | BUSHING RETAINING PLATE | 1 |
| 14 | 0625062036 | BALL BEARING 6203 RSH C3 | 1 |
| 15 | 0402255215 | CYL.ROLLER BEARING NUP205E C3 | 1 |
| 16 | 0760354771 | SHAFT SEAL RING 35X47X7 TC | 1 |
| 17 | 0770250015 | O-RING 25,00X1,50 NBR 70 | 1 |
| 18 | 77333219000 | SPACER BUSHING | 1 |
| 19 | 50033029013 | SPROCKET 13-T | x |
| 19 | 50033029014 | SPROCKET 14-T | x |
| 19 | 50033029015 | SPROCKET 15-T | x |
| 20 | 59033034044 | SCREW+SPRING WASHER | 1 |
| 21 | 77333315000 | SLIDING GEAR 5TD G | 1 |

087733361 / C097763360

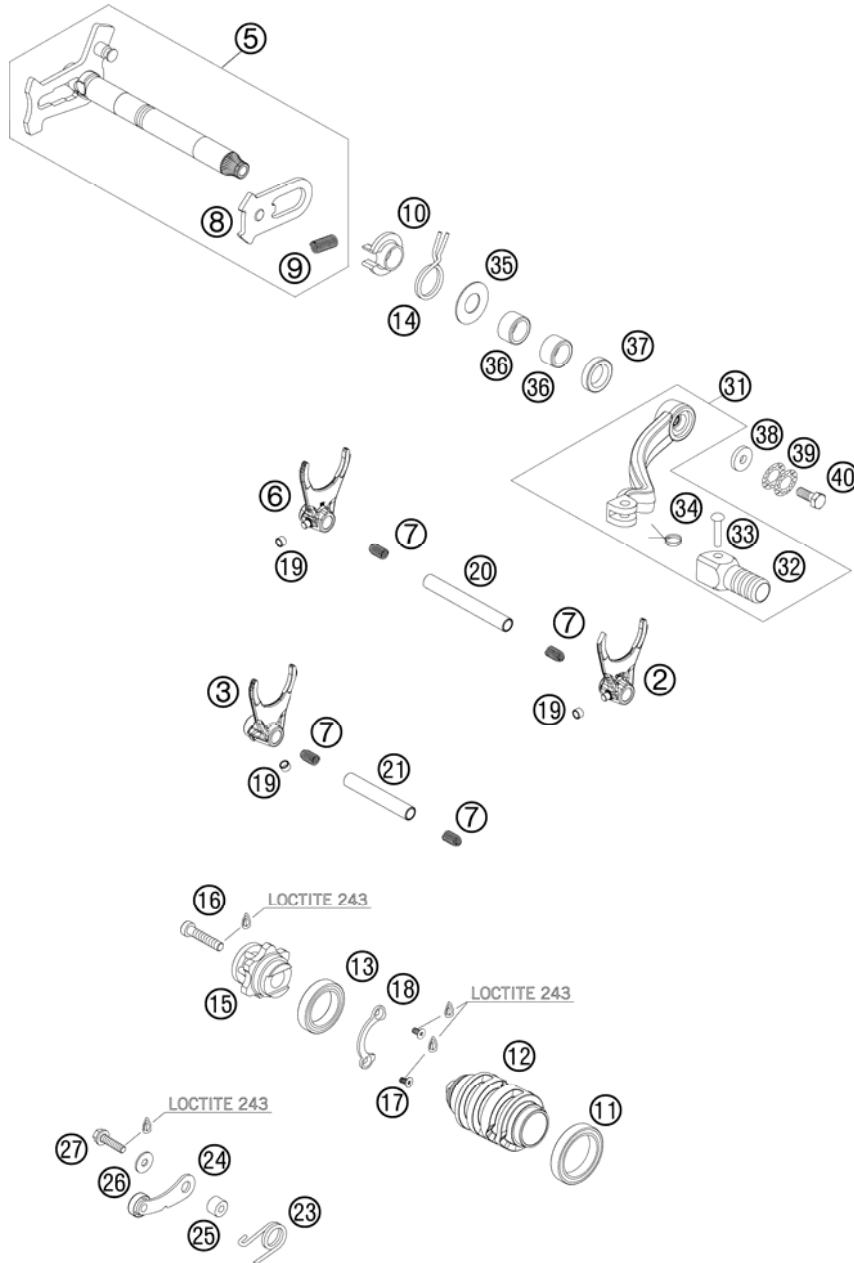
* NEW PART

X AS REQUIRED



SHIFTING MECHANISM

505 XC-F 2009



| FIG | PART NUMBER | DESCRIPTION | QTY |
|-----|-------------|--------------------------------|-----|
| 2 | 77334002100 | SHIFTING FORK 2ND/4TH GEAR | 1 |
| 3 | 77334003100 | SHIFTING FORK 3RD/5TH GEAR 03 | 1 |
| 5 | 77334005044 | SHIFT SHAFT CPL. 07 | 1 |
| 6 | 77334001100 | SHIFTING FORK 1ST.GEAR | 1 |
| 7 | 58038023200 | PRESSURE SPRING 0,9MM | 4 |
| 8 | 54634008044 | SLIDING PLATE CPL. | 1 |
| 9 | 56534013100 | TENSIONING SPRING 0,8MM | 1 |
| 10 | 54634020000 | SPRING GUIDE | 1 |
| 11 | 0625061806 | BALL BEARING 61806 | 1 |
| 12 | 77334012100 | SHIFT ROLLER 5G 08 | 1 |
| 13 | 0625068050 | BALL BEARING 6805 C4 NTN JAPAN | 1 |
| 14 | 54834014000 | RETURN SPRING 03 | 1 |
| 15 | 77334015000 | SHIFT LOCATING DRUM CPL. | 1 |
| 16 | 0012060303 | AH SCREW DIN912 M6X30 8.8 | 1 |
| 17 | 0019050103 | INT. TORX FLAT HEAD M 5X10 8.8 | 2 |
| 18 | 77334090000 | BUSHING RETAINING PLATE | 1 |
| 19 | 50334018100 | SHIFTING ROLLER 6X8X5,2 | 3 |
| 20 | 77334020000 | SHIFT RAIL | 1 |
| 21 | 77334019000 | FRONT SHIFT RAIL | 1 |
| 23 | 60034023000 | ARRESTING LEVER SPRING 03 | 1 |
| 24 | 50334024144 | LOCATING LEVER CPL. 08 | 1 |
| 25 | 54634052300 | SLEEVE FOR LOCKING LEVER | 1 |
| 26 | 0021050003 | WASHER DIN9021-A 5,3 | 1 |
| 27 | 0025050206 | HH COLLAR SCREW M5X20 TX30 | 1 |
| 31 | 54734031000 | SHIFT LEVER CPL. 2-STROKE 2001 | 1 |
| 32 | 54634131000 | STEP PLATE FOR SHIFT LEVER 250 | 1 |
| 33 | 54634031050 | BOLT 6X25 FOR SHIFT LEVER | 1 |
| 34 | 54634032100 | SHIFTING LEVER SPRING 250 | 1 |
| 35 | 54634050000 | STOP DISK 14X30X1 | 1 |
| 36 | 54632095000 | NEEDLE BEAR.HK 1412 14X20X12 | 2 |
| 37 | 0760142460 | SHAFT SEAL RING 14X24X6 B | 1 |
| 38 | 50232050001 | STEEL WASHER 6,4X17X3 | 1 |
| 39 | 50233041000 | PAIR OF WASHERS M 6 NORDLOCK | 1 |
| 40 | 0933060165 | HH SCREW DIN0933-M 6X16 10.9 | 1 |

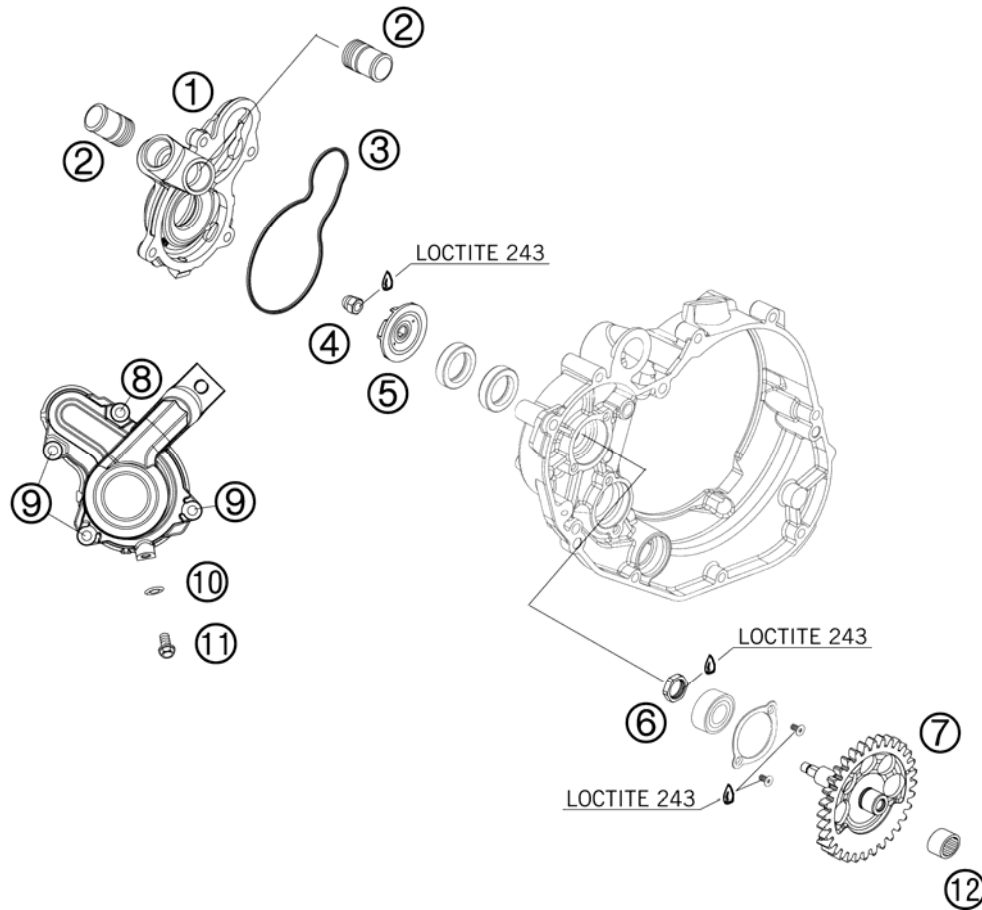
087733411 / C097763410

* NEW PART

X AS REQUIRED

WATER PUMP

505 XC-F 2009

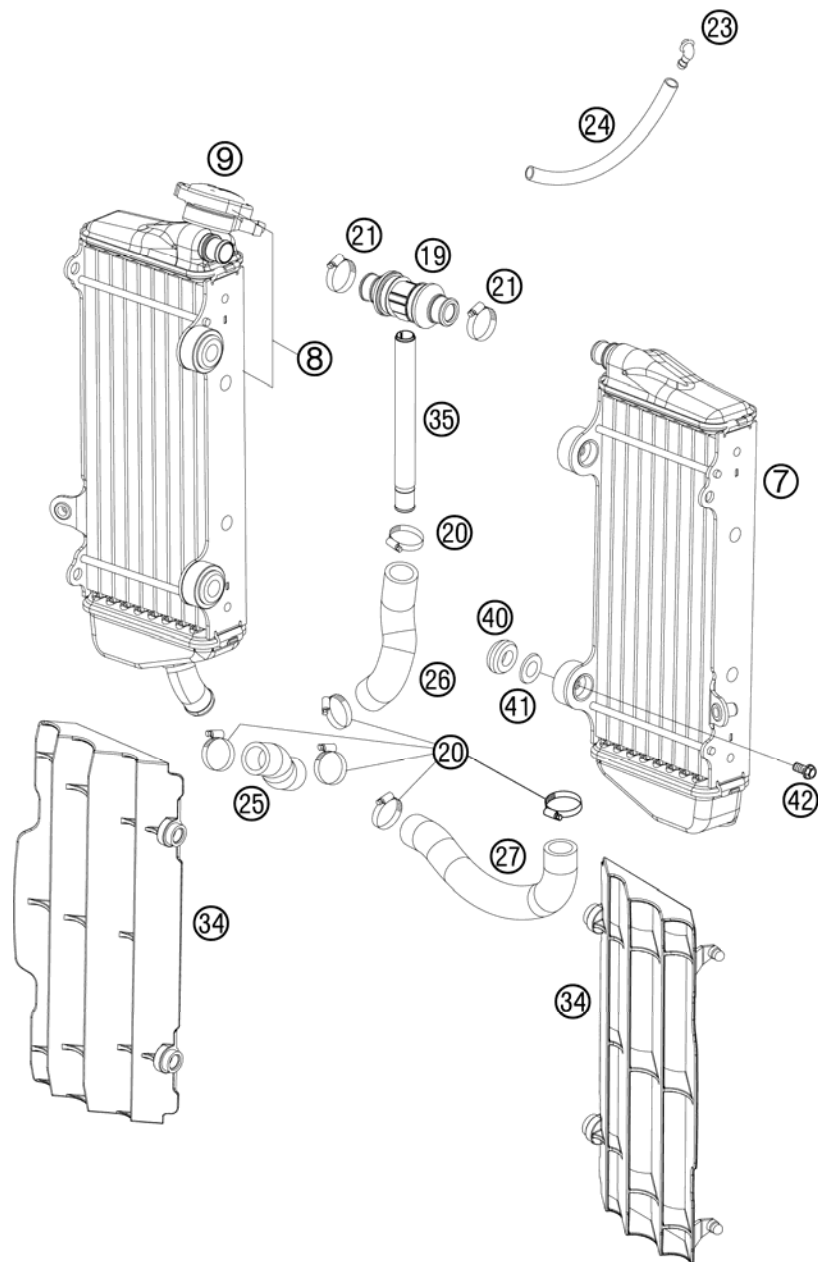


| FIG | PART NUMBER | DESCRIPTION | QTY |
|-----|---------------|-------------------------------|-----|
| 1 | 7733505210015 | WATER-PUMP COVER 09 | 1 |
| 2 | 58030010200 | SCREW IN NOZZLE M20X1,5 | 2 |
| 3 | 77335053000 | WATER-PUMP GASKET 06 | 1 |
| 4 | 0587060002 | HH CAP NUT DIN1587-M 6 SS. | 1 |
| 5 | 77335055100 | WATER-PUMP WHEEL 07 | 1 |
| 6 | 77330056050 | NUT M14 X 1 FOR BALANCER . 06 | 1 |
| 7 | 77330056200 | BALANCER GEAR KS 32-T 07 | 1 |
| 8 | 0025060556 | HH COLLAR SCREW M6X55 TX30 | 1 |
| 9 | 0025060166 | HH COLLAR SCREW M6X16 TX30 | 3 |
| 10 | 0603061001 | CU-SEAL RING DIN7603-6X10X1 | 1 |
| 11 | 0025060106 | HH COLLAR SCREW M6X10 TX30 | 1 |
| 12 | 77335050050 | NEEDLE BEARING RNA 4900 | 1 |

087733510 / C097733510

* NEW PART

X AS REQUIRED

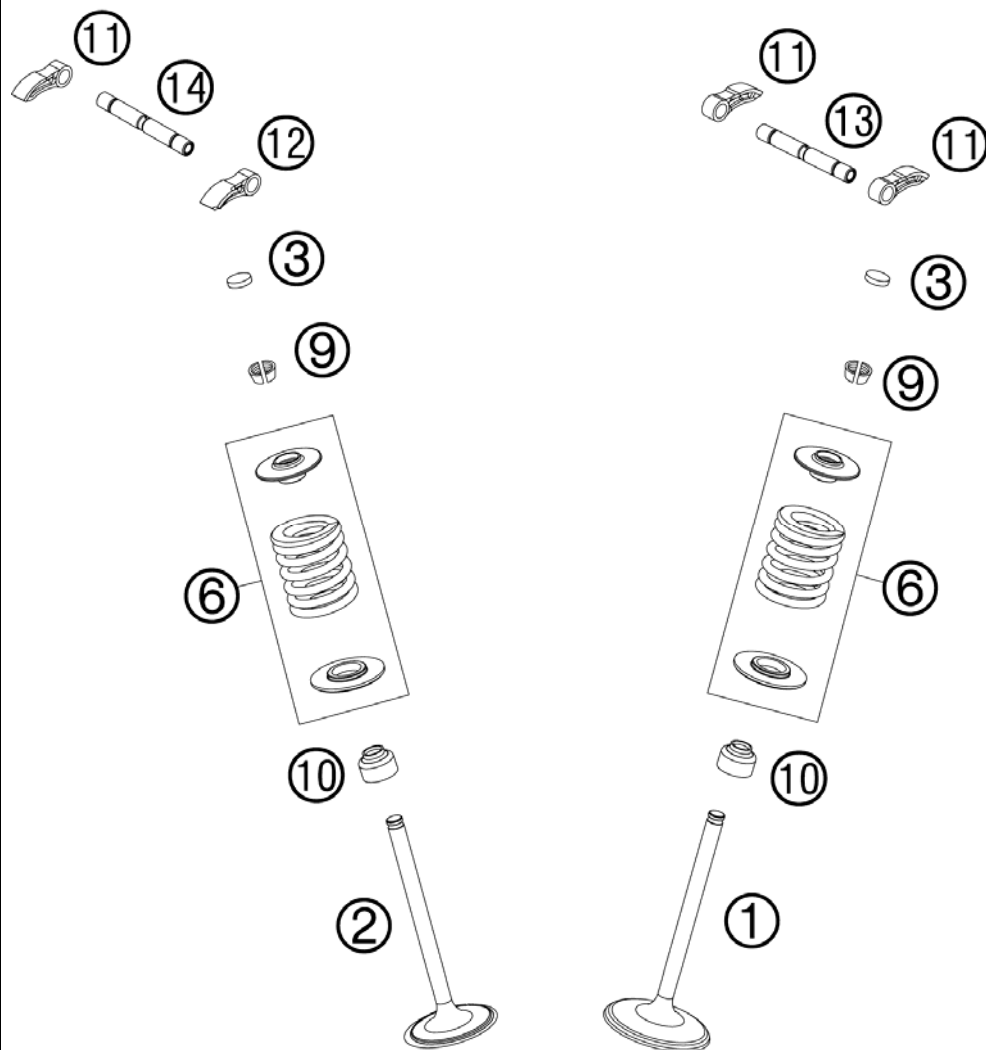


| FIG | PART NUMBER | DESCRIPTION | QTY |
|-----|---------------|------------------------------|-----|
| 7 | 77335007000 | RADIATOR L/S "45519U" 07 | 1 |
| 8 | 77335008000 | RADIATOR R/S "45518U" 07 | 1 |
| 9 | 77335016000 | RADIATOR CAP SMALL 1,8 BAR | 1 |
| 19 | 77335026000 | T-CONNECTOR CPL. '07 | 1 |
| 20 | 10001020000 | HOSE CLAMP GEMI 16-27 | 6 |
| 21 | 42013037200 | HOSE CLAMP GEMI 12/22 | 2 |
| 23 | 50303089000 | ANGEL PIECE '97 | 1 |
| 24 | 31007107001 | PVC-HOSE 6X9 MM PER METER | x |
| 25 | 77335027000 | RADIATOR HOSE R/S | 1 |
| 26 | 77335024000 | HOSE ENGINE-RADIATOR 07 | 1 |
| 27 | 77335025000 | RADIATOR HOSE L/S | 1 |
| 34 | 7733503400030 | RAD. PR. L/S+R/S BLACK SX 07 | 2 |
| 35 | 77335073000 | HOSE CONNECTOR 4 STROKE 07 | 1 |
| 40 | 41001052000 | RUBBER SLEEVE D=12MM | 4 |
| 41 | 77335001000 | WASHER FOR RADIATOR 08 | 4 |
| 42 | 0023060123 | COLLAR SCREW M6X12 TX | 4 |

087733530 / C097733530

* NEW PART

X AS REQUIRED

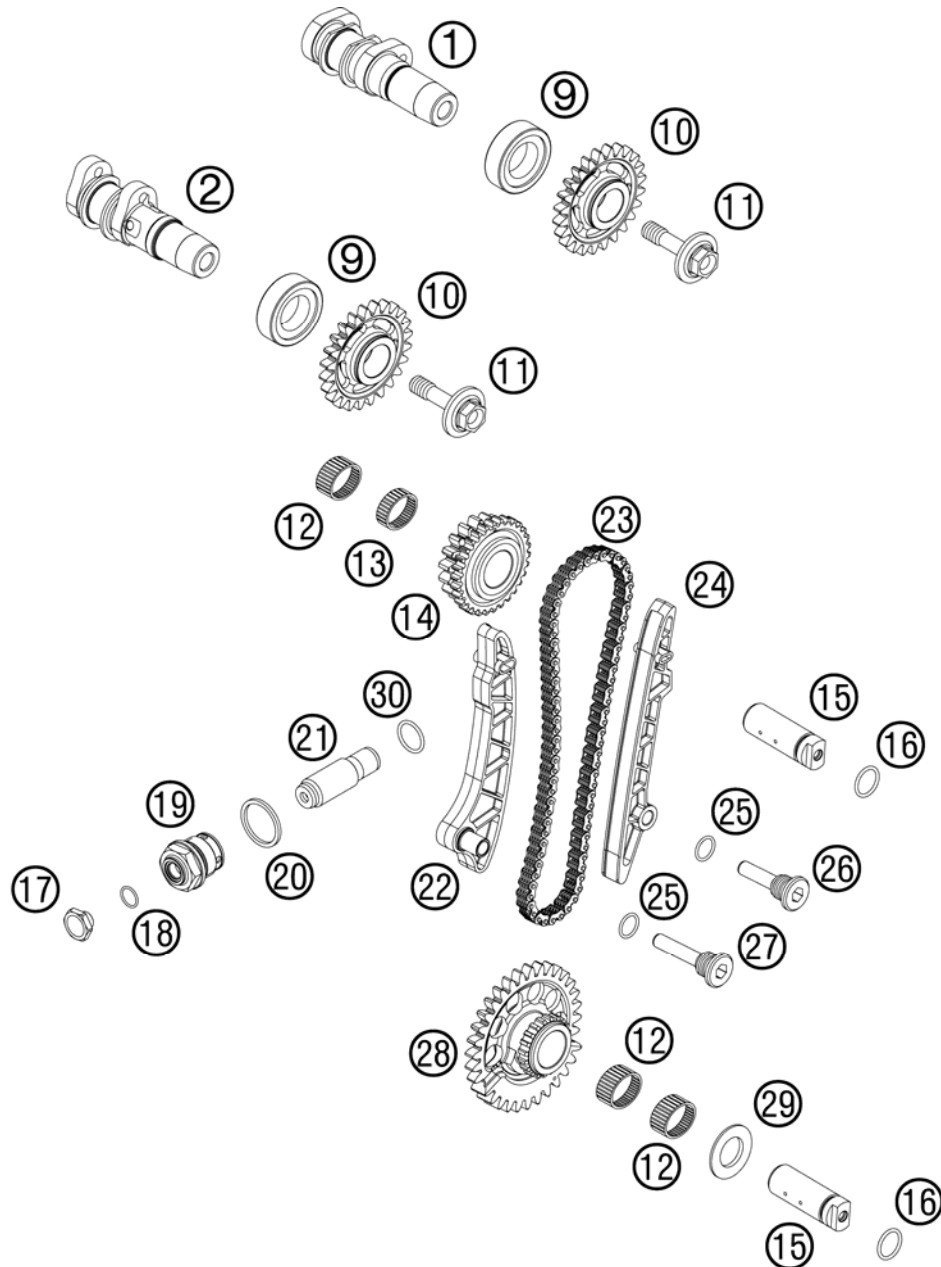


| FIG | PART NUMBER | DESCRIPTION | | QTY |
|-----|-------------|---------------------------|----|-----|
| 1 | 77336030200 | INTAKE VALVE | 07 | 2 |
| 2 | 77336031200 | EXHAUST VALVE | 07 | 2 |
| 3 | 77036035172 | SHIM D=8,9/1,72 | | X |
| 3 | 77036035176 | SHIM D=8,9/1,76 | | X |
| 3 | 77036035180 | SHIM D=8,9/1,80 | | X |
| 3 | 77036035184 | SHIM D=8,9/1,84 | | X |
| 3 | 77036035188 | SHIM D=8,9/1,88 | | X |
| 3 | 77036035192 | SHIM D=8,9/1,92 | | X |
| 3 | 77036035196 | SHIM D=8,9/1,96 | | X |
| 3 | 77036035200 | SHIM D=8,9/2,00 | | X |
| 3 | 77036035204 | SHIM D=8,9/2,04 | | X |
| 3 | 77036035208 | SHIM D=8,9/2,08 | | X |
| 3 | 77036035212 | SHIM D=8,9/2,12 | | X |
| 3 | 77036035216 | SHIM D=8,9/2,16 | | X |
| 3 | 77036035220 | SHIM D=8,9/2,20 | | X |
| 3 | 77036035224 | SHIM D=8,9/2,24 | | X |
| 3 | 77036035228 | SHIM D=8,9/2,28 | | X |
| 3 | 77036035232 | SHIM D=8,9/2,32 | | X |
| 3 | 77036035236 | SHIM D=8,9/2,36 | | X |
| 3 | 77036035240 | SHIM D=8,9/2,40 | | X |
| 3 | 77036035244 | SHIM D=8,9/2,44 | | X |
| 3 | 77036035248 | SHIM D=8,9/2,48 | | X |
| 3 | 77036035252 | SHIM D=8,9/2,52 | | X |
| 3 | 77036035256 | SHIM D=8,9/2,56 | | X |
| 3 | 77036035260 | SHIM D=8,9/2,60 | | X |
| 6* | 77336128044 | VALVE SPRING KIT | 09 | 4 |
| 9 | 77336033100 | VALVE COLLET | 07 | 8 |
| 10 | 59036027000 | VALVE-STEM SEALING RACING | | 4 |
| 11 | 77336060100 | VALVE LEVER | | 3 |
| 12 | 77336160000 | VALVE LEVER | | 1 |
| 13 | 77336056000 | INTAKE VALVE LEVER SHAFT | | 1 |
| 14 | 77336057000 | EXHAUST VALVE LEVER SHAFT | | 1 |

097733610 / C097733610

* NEW PART

X AS REQUIRED

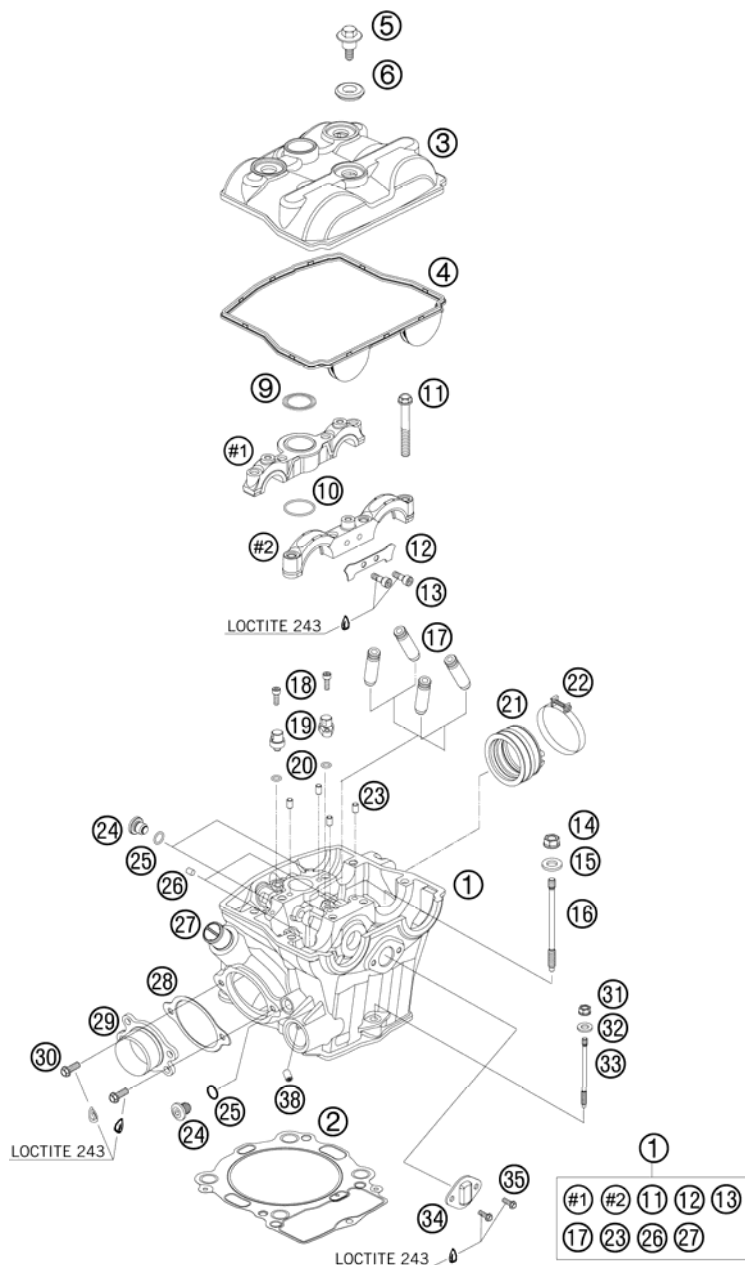


| FIG | PART NUMBER | DESCRIPTION | QTY |
|-----|-------------|-------------------------------|-----|
| 1 | 77336009100 | CAMSHAFT INTAKT 07 | 1 |
| 2 | 77336010344 | CAMSHAFT EXHAUST CPL. 08 | 1 |
| 9 | 0402174012 | CYL.ROLL BEARING RNU203ETVP2 | 2 |
| 10 | 77336011000 | CAMSHAFT GEAR 07 | 2 |
| 11 | 77336076100 | SCREW MW M10-1,0X38 | 2 |
| 12 | 0405182213 | NEEDLE BEAR K 18X22X13 | 3 |
| 13 | 0405182210 | NEEDLE BEARING K 18X22X10 02 | 1 |
| 14 | 77336070177 | DOUBLE GEAR W.CPL. Z18/Z30 07 | 1 |
| 15* | 77336075100 | AXLE FOR TIMING VALVE 06 | 2 |
| 16 | 0770015018 | O-RING 15,00X1,80 | 2 |
| 17 | 77336008010 | HOLDING BOLT | 1 |
| 18 | 0770010010 | O-RING 10,00X1,00 NBR 70 SH | 1 |
| 19 | 77336008000 | HOLDING BOLT M24X1,5 | 1 |
| 20 | 0603242920 | CU SEAL-RING DIN7603 A24X29X2 | 1 |
| 21 | 77036003000 | CHAIN ADJUSTER HYD. 05 | 1 |
| 22 | 77336002177 | TENSIONER RAIL CPL. 07 | 1 |
| 23 | 77336013100 | TIMING CHAIN 07 | 1 |
| 24 | 77336001100 | GUIDE RAIL 07 | 1 |
| 25 | 0770012015 | O-RING 12,00X1,50 NBR | 2 |
| 26 | 77336091000 | BUSHING SCREW | 1 |
| 27 | 77336091100 | BUSHING SCREW | 1 |
| 28 | 77330057200 | BALANCER GEAR | 1 |
| 29 | 77330058000 | STOP DISC 18/32/1,4/2,7 | 1 |
| 30 | 0770180020 | O-RING 18,00X2,00 NBR 70 | 1 |

087733620 / C097763620

* NEW PART

X AS REQUIRED

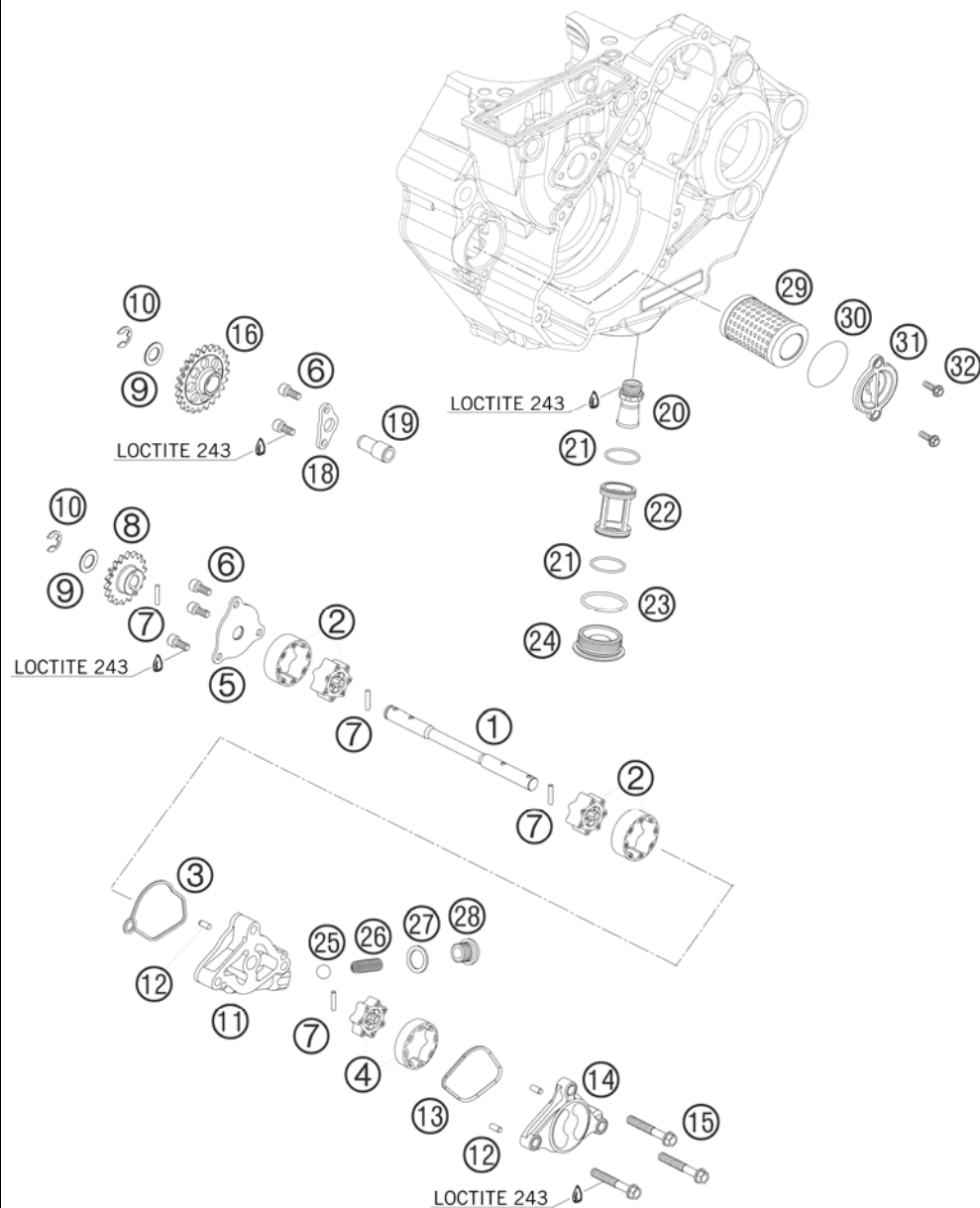


| FIG | PART NUMBER | DESCRIPTION | QTY |
|-----|-------------|-----------------------------|-----|
| 1* | 77336020144 | CYLINDER HEAD CPL. | 1 |
| 2 | 77630036000 | CYL. HEAD GASKET S=0,5 | 1 |
| 3 | 77336052100 | VALVE COVER | 1 |
| 4 | 77336053000 | VALVE COVER GASKET | 1 |
| 5 | 77336054150 | VALVE COVER SCREW | 3 |
| 6 | 77036054050 | RUBBER GASKET FOR SCREW 05 | 3 |
| 9 | 77336053050 | GASKET SPARK-PLUG SHAFT | 1 |
| 10 | 0770250015 | O-RING 25,00X1,50 NBR 70 | 1 |
| 11 | 77330067138 | SCRW M7-1,0X38 | 8 |
| 12 | 77336020040 | BUSHING HOLDER | 1 |
| 13 | 0912050103 | AH SCREW DIN0912-M 5X10 | 2 |
| 14 | 77336088210 | COLLAR NUT M10X1,25 SW13 | 4 |
| 15 | 77336089010 | WASHER 19X10,5X2,5 | 4 |
| 16 | 77330044100 | STUD SCREW M10 | 4 |
| 17 | 77336025100 | VALVE GUIDE | 4 |
| 18 | 0912040123 | AH SCREW DIN0912-M 4X12 | 2 |
| 19 | 77338046000 | OIL JET | 2 |
| 20 | 0770060015 | O-RING 1,5x6 | 2 |
| 21* | 77336044000 | INTAKE BOOT | 1 |
| 22 | 60036047100 | HOSE CLAMP GEMI 62 MM 03 | 1 |
| 23 | 0402050080 | CYLINDER ROLLER ZRO 5X8 | 4 |
| 24 | 77336056095 | SCREW PLUG | 3 |
| 25 | 0770090015 | O-RING 9X1,5 NBR | 3 |
| 26 | 59030196000 | PLUG 00 | 2 |
| 27 | 58030010200 | SCREW IN NOZZLE M20X1,5 | 1 |
| 28 | 77336041000 | GASKET EXHAUST FLANGE | 1 |
| 29* | 77336139000 | EXHAUST FLANGE CPL. SX-F 08 | 1 |
| 30 | 0025060206 | HH COLLAR SCREW M6X20 TX30 | 2 |
| 31 | 77336088106 | COLLAR NUT M6X1 SW8 | 1 |
| 32 | 0125060003 | WASHER DIN0125-A 6,4 | 1 |
| 33 | 77330043000 | STUD SCREW M6 | 1 |
| 34 | 77336075050 | RETAINING PLATE | 1 |
| 35 | 0025050106 | COLLAR SCREW M5X12 ISA30 | 1 |
| 38 | 77338029012 | THROTTLE M6X10X0,6 | 1 |

087733630 / C097763630

* NEW PART

X AS REQUIRED

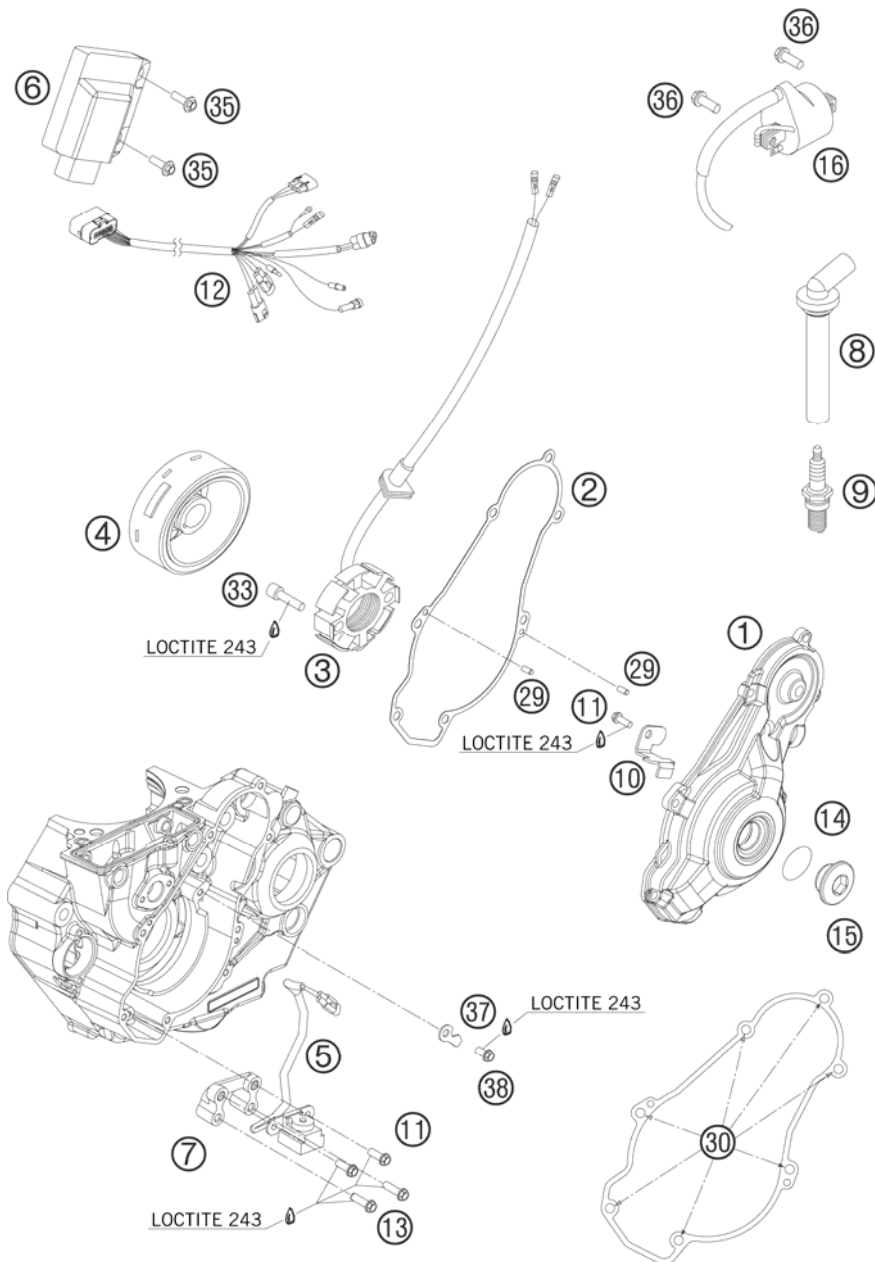


| FIG | PART NUMBER | DESCRIPTION | QTY |
|-----|-------------|-------------------------------|-----|
| 1* | 77338002100 | OIL PUMP SHAFT | 1 |
| 2* | 77338107100 | SUCTION PUMP CPL. | 2 |
| 3 | 77338012000 | GASKET PRESSURE PUMP CASE | 1 |
| 4* | 77338207100 | PRESSURE PUMP PEEK D=9MM | 1 |
| 5 | 77338004100 | PUMP COVER 07 | 1 |
| 6 | 0912050123 | AH SCREW DIN0912-M 5X12 | 5 |
| 7 | 0402031580 | NEEDLE ROLLER DIN5402 3X15,8 | 4 |
| 8* | 77338001100 | OIL PUMP GEAR 18-T | 1 |
| 9 | 77338023000 | WASHER 10,2X18X1 | 2 |
| 10 | 0799080000 | TAB WASHER DIN6799 RS8 | 2 |
| 11 | 77338010100 | PRESSURE PUMP CASE | 1 |
| 12 | 0402040980 | NEEDLE ROL.DIN5402 NRB 4X9,8 | 3 |
| 13 | 77338112000 | GASKET PRESSURE PUMP COVER | 1 |
| 14 | 77338013100 | PRESSURE PUMP COVER | 1 |
| 15 | 0025060406 | HH COLLAR SCREW M6X40 TX30 | 3 |
| 16* | 77338000150 | OILPUMP IDLER GEAR 24-T. | 1 |
| 18 | 77338061050 | LOCK WASHER BEARING BOLT | 1 |
| 19 | 77338061000 | BEARING BOLT | 1 |
| 20 | 77338022000 | OIL INTAKE SNORKEL | 1 |
| 21 | 0770023015 | O-RING 23,00X1,50 NBR 70 | 2 |
| 22 | 77338016100 | OIL SCREEN CPL. | 1 |
| 23 | 0770300020 | O-RING 30X2,0 FPM | 1 |
| 24 | 77338019100 | PLUG SCREW | 1 |
| 25 | 0401100000 | BALL D=10 DIN 5401 | 1 |
| 26 | 77338026100 | COIL SPRING | 1 |
| 27 | 0603142016 | CU-SEAL RING 14X20X1,5 LC8 02 | 1 |
| 28 | 60038033050 | PLUG SCREW M14X1,5 ALU AH | 1 |
| 29 | 77338005100 | OIL FILTER | 1 |
| 30* | 07703305178 | O-RING 33,05X1,78 | 1 |
| 31* | 77338041200 | OIL FILTER COVER 08 | 1 |
| 32 | 0025060166 | HH COLLAR SCREW M6X16 TX30 | 2 |

097733810 / C097733810

* NEW PART

X AS REQUIRED

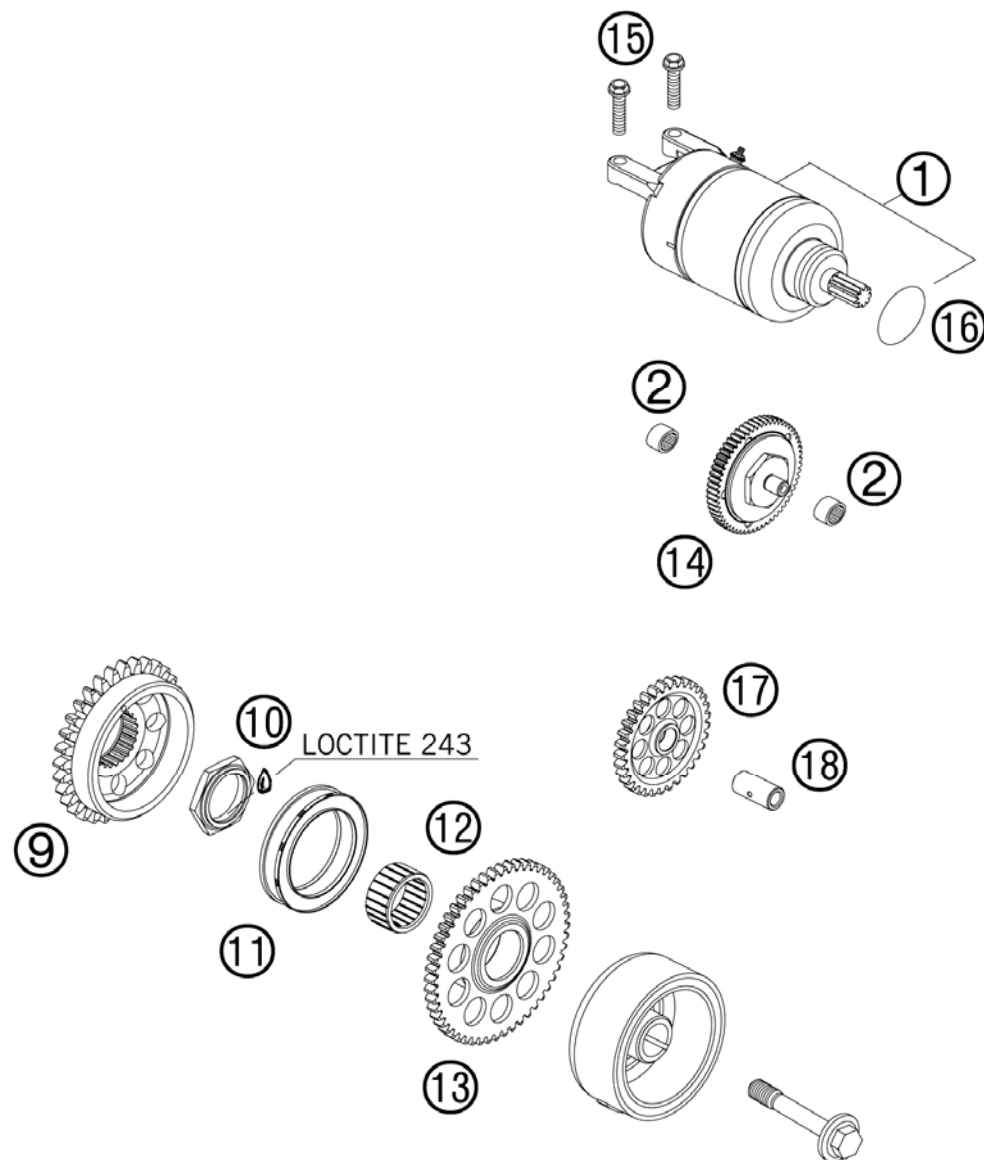


| FIG | PART NUMBER | DESCRIPTION | QTY |
|-----|---------------|-------------------------------|-----|
| 1* | 7733000210015 | IGNITION COVER 09 | 1 |
| 2 | 77330040100 | IGNITION COVER GASKET | 1 |
| 3 | 77339004000 | STATOR SX 06 | 1 |
| 4 | 77039005000 | FLYWHEEL 05 | 1 |
| 5 | 77339034000 | PULSER COIL KOKUSAN "PU5165" | 1 |
| 6 | 77339031000 | CDI UNIT KOKUSAN 450 SX-F 07 | 1 |
| 7 | 77339035100 | ADAPTER PULSER COIL | 1 |
| 8 | 77339090000 | SPARK PLUG NGK-XD05EMGK | 1 |
| 9 | 77039093000 | SPARK PLUG NGK CR9EKB '05 | 1 |
| 10 | 77330002050 | WIRE RETAINING BRACKET | 1 |
| 11 | 0025050106 | COLLAR SCREW M5X12 ISA30 | 3 |
| 12 | 77339032000 | WIRING HARNESS FOR CDI-BOX | 1 |
| 13 | 0025050256 | HH COLLAR SCREW M5X25 ISA30 | 2 |
| 14 | 0770220020 | O-RING 22,00X2,00 B70 | 1 |
| 15 | 6003009400030 | SCREW PLUG M24X1,5 PA 6.6 | 1 |
| 16 | 59039006000 | IGNITIONCOIL KOKUSAN 4K3-A/B | 1 |
| 29 | 0402040980 | NEEDLE ROL.DIN5402 NRB 4X9,8 | 2 |
| 30 | 0025060206 | HH COLLAR SCREW M6X20 TX30 | 7 |
| 33 | 0912050253 | AH SCREW DIN0912-M 5X25 | 2 |
| 35 | 0024060206 | HH COLLAR SCREW M6X20 TX30 | 2 |
| 36 | 0025060166 | HH COLLAR SCREW M6X16 TX30 | 2 |
| 37 | 77340097100 | RETAINING PLATE F.PICKUPCABEL | 1 |
| 38 | 0025060166 | HH COLLAR SCREW M6X16 TX30 | 1 |

097733910 / C097733910

* NEW PART

X AS REQUIRED

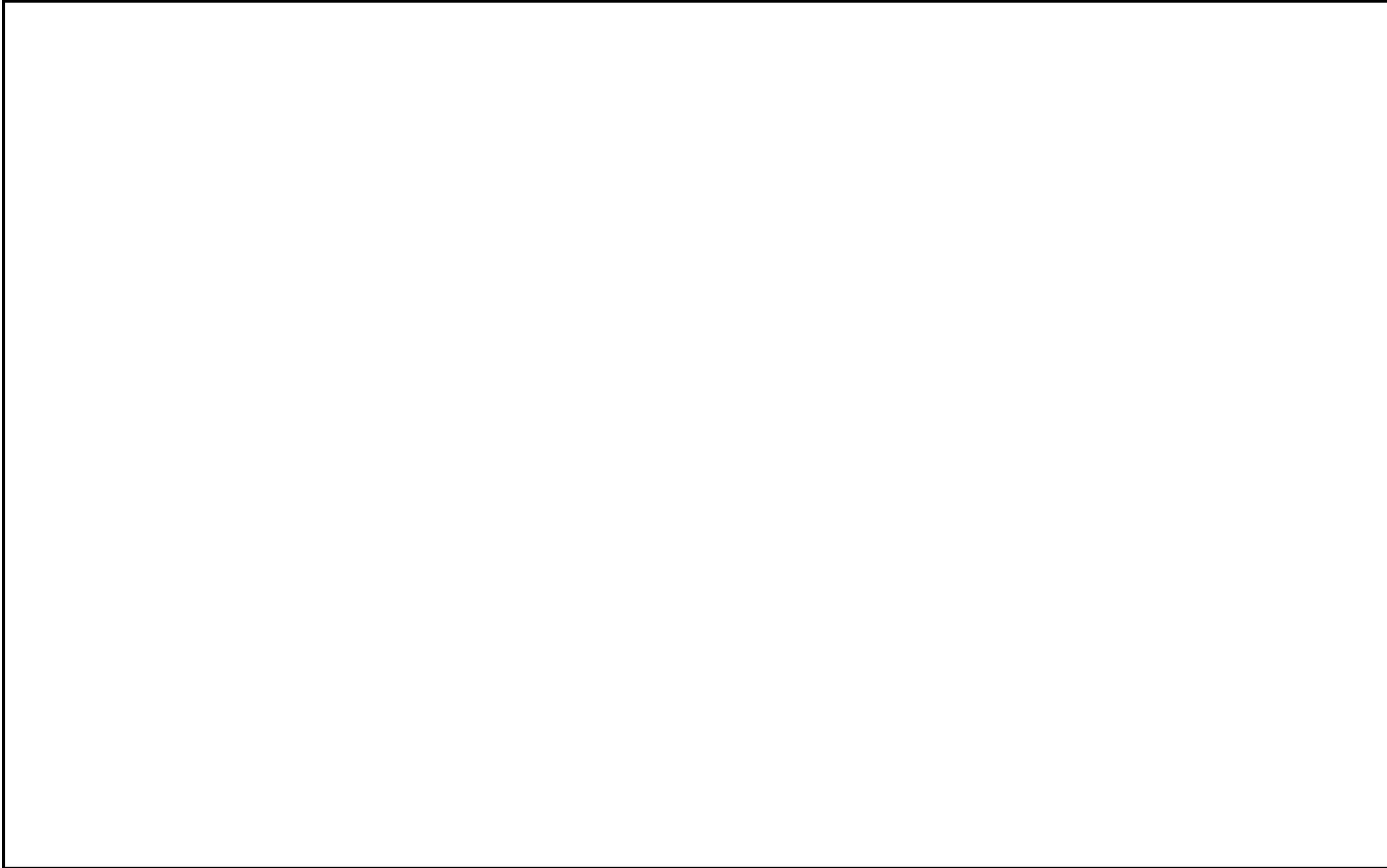


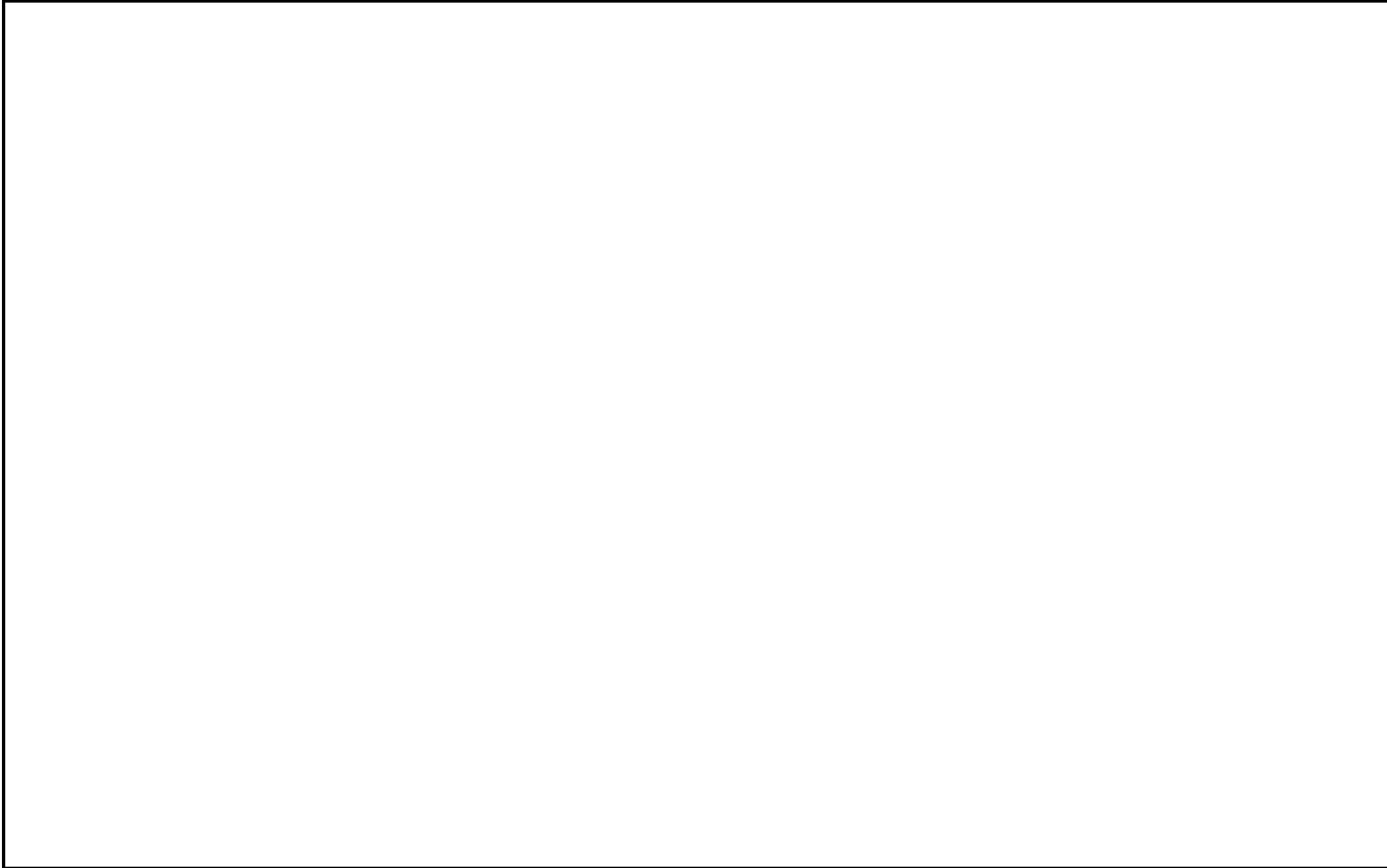
| FIG | PART NUMBER | DESCRIPTION | QTY |
|-----|-------------|--------------------------------|-----|
| 1 | 77340001000 | E-STARTER ENGINE CPL. 07 | 1 |
| 2 | 0618081210 | NEEDLE BUSH HK 0810 DIN 618 | 2 |
| 9 | 77330055160 | DRIVE WHEEL AGZR KS Z=32 | 1 |
| 10 | 77330029000 | COLLAR NUT M27X1 | 1 |
| 11 | H25015301 | FREE WHEEL CLUTCH MECHANISM 97 | 1 |
| 12 | 0405253216 | NEEDLE BEAR. K25X32X16 | 1 |
| 13 | 77340015100 | STARTING GEAR Z=52 | 1 |
| 14* | 77340016100 | TORQUE LIMITER CPL. | 1 |
| 15 | 0025060256 | HH COLLAR SCREW M6X25 TX30 | 2 |
| 16 | 0770250030 | O-RING 25,00X3,00 NBR 70 | 1 |
| 17 | 77340022100 | INTERMEDIATE STARTING GEAR | 1 |
| 18 | 77340028000 | BEARING BOLT | 1 |

087734010 / C097734010

* NEW PART

X AS REQUIRED







KTM-Sportmotorcycle AG
A-5230 Mattighofen
www.ktm.at

KTM Group Partner



3CM089452IEN



Art.Nr.: 3CM089452IEN 5/2008