


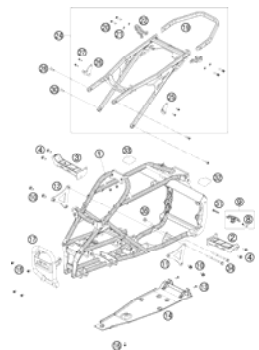
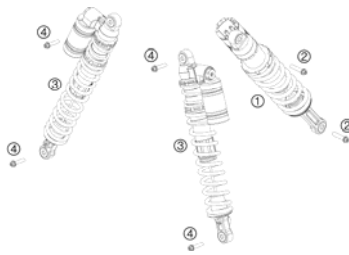
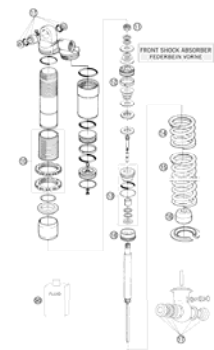
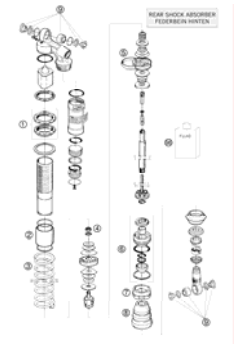
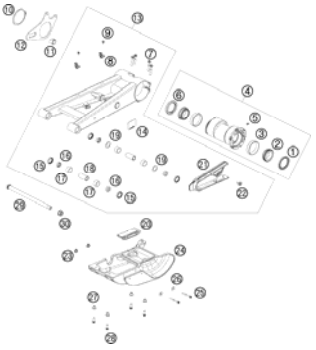
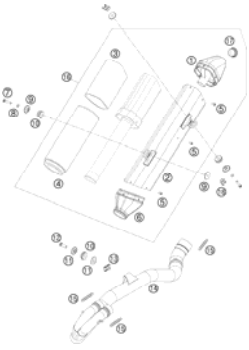
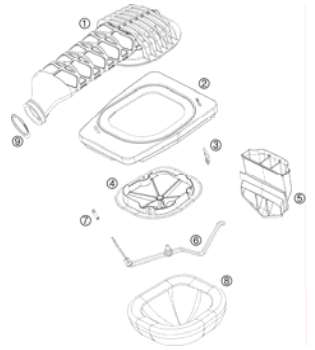
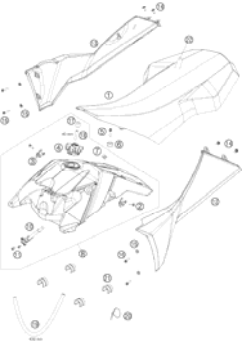
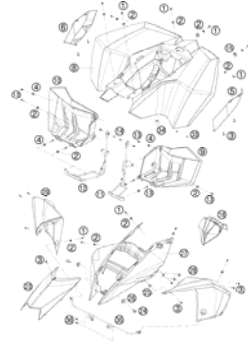
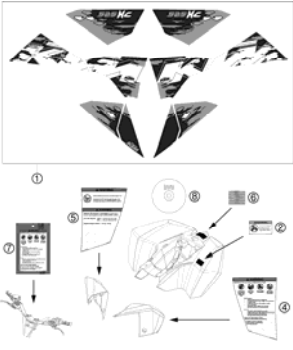
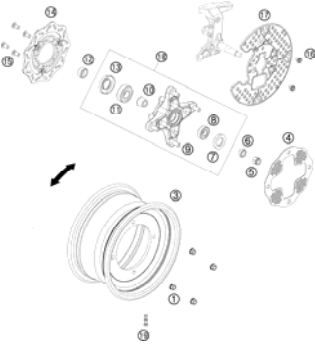
525 XC ATV 2009

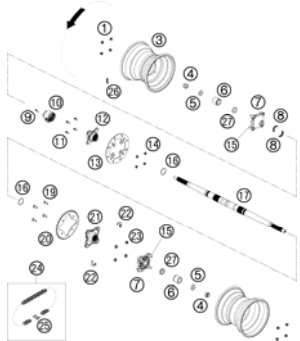
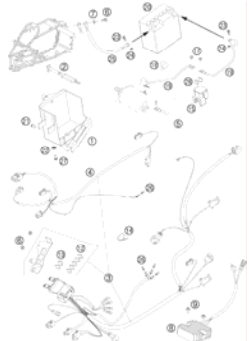
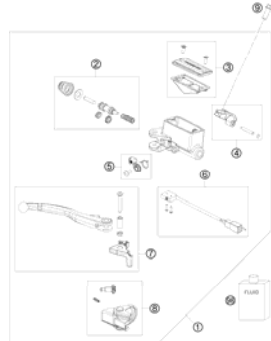
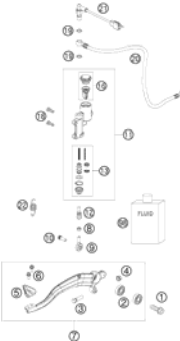
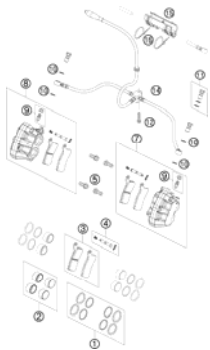
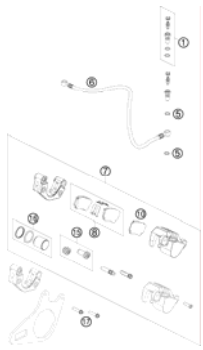
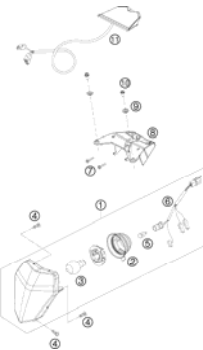
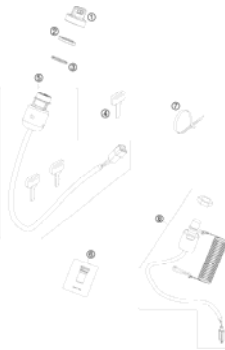
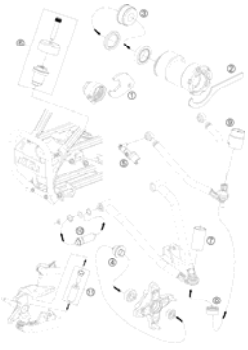
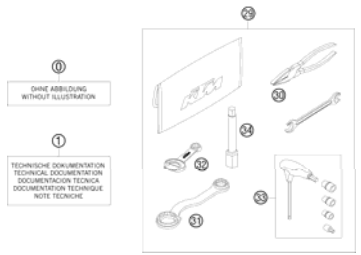
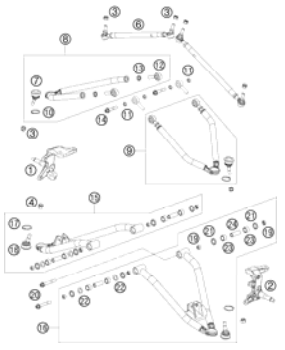
SPARE PARTS MANUAL: CHASSIS


ART.NO.: 3CF8501IQEN

ENGLISH



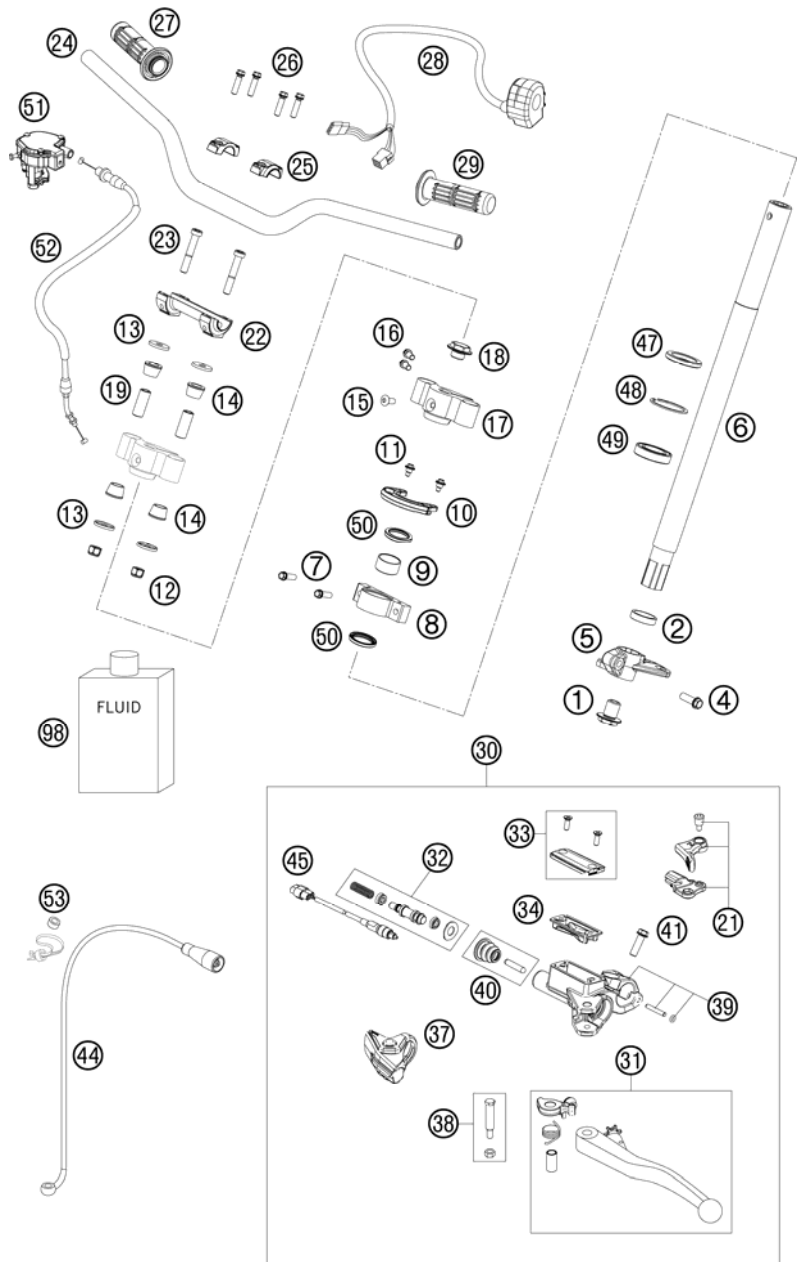
| | | | |
|--|--|---|---|
| <p>HANDLEBAR, CONTROLS</p>  <p>4</p> | <p>FRAME</p>  <p>6</p> | <p>MONOSHOCK</p>  <p>7</p> | <p>SHOCK ABS. FRONT DISASSEMBLED</p>  <p>8</p> |
| <p>SHOCK ABS. REAR DISASSEMBLED</p>  <p>9</p> | <p>SWING ARM</p>  <p>10</p> | <p>EXHAUST SYSTEM</p>  <p>11</p> | <p>AIR FILTER</p>  <p>12</p> |
| <p>TANK, SEAT, COVERS</p>  <p>13</p> | <p>MASK, FENDERS</p>  <p>14</p> | <p>DECAL</p>  <p>15</p> | <p>FRONT WHEEL</p>  <p>16</p> |

| | | | |
|--|---|--|--|
| REAR WHEEL  17 | WIRING HARNESS  18 | HAND BRAKE CYLINDER  19 | REAR BRAKE CONTROL  20 |
| BRAKE CALIPER FRONT  21 | BRAKE CALIPER REAR  22 | LIGHTING SYSTEM  23 | INSTRUMENTS/LOCK SYSTEM  24 |
| SPECIAL TOOLS  25 | ACCESSORIES KIT  26 | FRONT SECTION  27 | |

| | | | |
|--|---|--|--|
| | | | |
| | | | |
| |  | <p>All information contained is without obligation. KTM-Sportmotorcycle AG particularly reserves the right to modify any equipment, technical specifications, prices, colors, shapes, materials, services, service work, constructions, equipment and the like so as to adapt them to local conditions or to cancel any of the above items, all without previous announcement and without giving reasons. KTM may stop manufacturing certain models without previous notice. KTM shall not be held liable for any deviations of availability and/or ability to deliver, illustrations, descriptions, printing and/or other errors. The illustrated models partly contain extra equipment, which is not applied to standard models. © by KTM-SPORTMOTORCYCLE AG, Mattighofen AUSTRIA; All rights reserved; Reprint, also in extracts, with written allowance of KTM-SPORTMOTORCYCLE AG, Mattighofen only.</p> | |

HANDLEBAR, CONTROLS

525 XC ATV 2009



| FIG | PART NUMBER | DESCRIPTION | QTY |
|-----|-------------|--------------------------------|-----|
| 1 | 83001033051 | STEERING HEAD SCREW M20X1,5 | 1 |
| 2 | 83001033052 | WASHER F. STEERING BEARING | 1 |
| 4 | 0015100303 | HH COLLAR SCREW M10X30 WS=13 | 1 |
| 5 | 83001033050 | STEERING LEVER | 1 |
| 6* | 83001033100 | STEERING COLUMN | 1 |
| 7 | 0025080256 | HH COLLAR SCREW M8X25 TX40 | 2 |
| 8* | 83001035100 | BEARING BLOCK STEERING COLUMN | 1 |
| 9* | 83001035150 | SLIDE BEARING W.C. JSM-3539-20 | 1 |
| 10 | 83001069000 | CABLE GUIDE | 1 |
| 11 | 59001092050 | SPECIAL SCREW M6X12,5 WS=8 | 2 |
| 12 | 0985100003 | SELF LOCKING NUT DIN0985-M10 | 2 |
| 13 | 83001042000 | BUCKET | 4 |
| 14 | 83001040000 | RUBBER BUSH | 4 |
| 15 | 54610052000 | SPROCKET SCREW-AH M8X20 WS=6 | 1 |
| 16 | 0015080203 | HH COLLAR SCREW M 8X20 WS=10 | 2 |
| 17 | 83001034008 | HANDLE BAR BRIDGE 08 | 1 |
| 18 | 54801036000 | STEER.HEAD SCREW M20X1,5 WS=27 | 1 |
| 19 | 83001041000 | SPACER TUBE 10.2X16X39 | 2 |
| 21 | 59002047000 | LEVER CPL. RACING 2000 | 1 |
| 22 | 59001039100 | HANDLEBAR SUPPORT 28MM SC'99 | 1 |
| 23 | 0012100606 | AH SCREW DIN6912-M10X60 | 2 |
| 24 | 83002001000 | HANDLEBAR ATV 2008 | 1 |
| 25 | 59001038200 | HANDLEBAR CLAMP D=28MM 2000 | 2 |
| 26 | 0025080306 | HH COLLAR SCREW M8X30 TX40 | 4 |
| 27 | 83002021002 | HANDLE BAR GRIP ATV R/S | 1 |
| 28 | 83011070000 | LEFT HANDLE SWITCH | 1 |
| 29 | 83002021001 | HANDLE BAR GRIP ATV L/S | 1 |
| 30* | 77302030000 | MASTER CYLINDER CPL. 10,5MM 09 | 1 |
| 31* | 50302031300 | CLUTCH LEVER CPL. 2009 | 1 |
| 32* | 77302032000 | REP.KIT PISTON 10,5MM 09 | 1 |
| 33 | 50302033200 | COVER HYDR. CLUTCH CPL. 09 | 1 |
| 34* | 50302034100 | RUBBER FOR RESERVOIR 09 | 1 |
| 37* | 50302037100 | MUD CAP 09 | 1 |
| 38* | 50302038100 | LEVER SCREW CPL. 09 | 1 |
| 39* | 50302030250 | CLAMP + PIN + O-RING 09 | 1 |
| 40* | 50302046000 | PUSH ROD CPL. 09 | 1 |

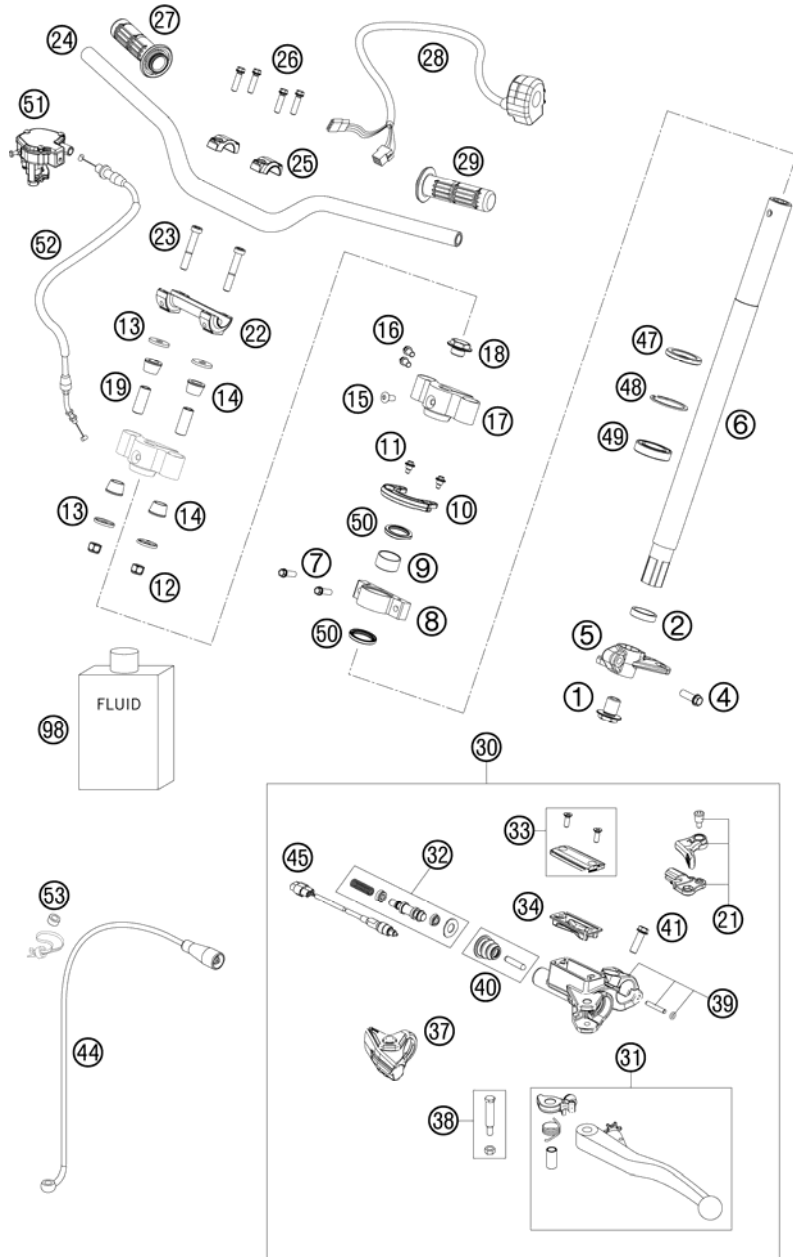
098300210 / C098300210

* NEW PART

X AS REQUIRED

HANDLEBAR, CONTROLS

525 XC ATV 2009

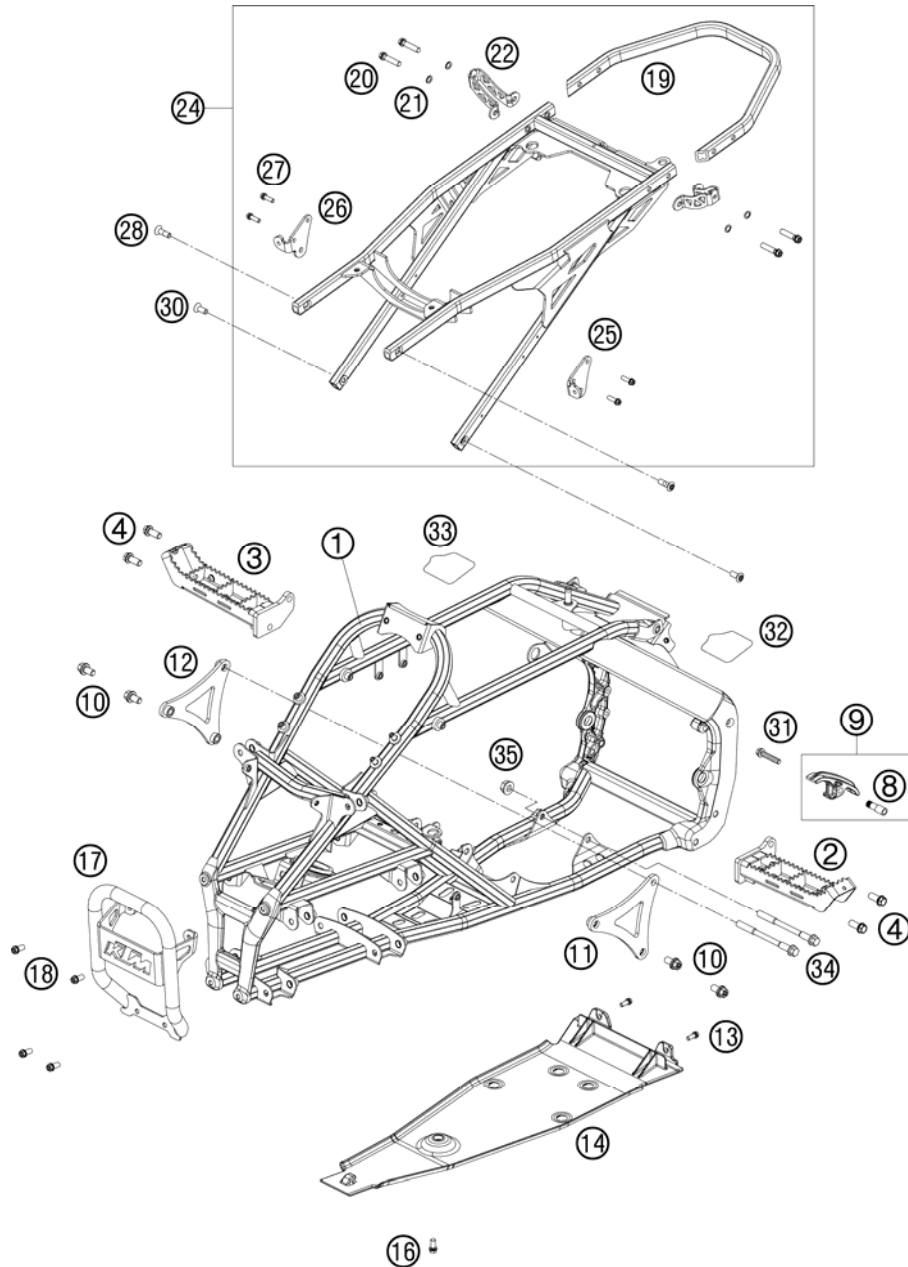


| FIG | PART NUMBER | DESCRIPTION | QTY |
|-----|-------------|--------------------------------|-----|
| 41* | 0025060166 | HH COLLAR SCREW M6X16 TX30 | 1 |
| 44 | 83032063000 | CLUTCH PIPE | 1 |
| 45 | 58411049100 | CLUTCH SWITCH 03 | 1 |
| 47 | 0760385570 | SHAFT SEAL RING 38,5X55X7 | 1 |
| 48 | 0472055200 | CIRCLIP DIN0472-55X2 | 1 |
| 49 | 0625060061 | BALL BEARING 6006/32-2RS1 | 1 |
| 50* | 83501035060 | SHAFT SEAL RING 35x47x6 NBR902 | 2 |
| 51* | 83002022100 | THUMB THROTTLE | 1 |
| 52 | 83002091000 | THROTTLE CABLE ATV | 1 |
| 53 | 50301089000 | SPACER BUSHING 6X10X5 | 2 |
| 98 | 50302036200 | OIL FOR HYD. CLUTCH 75ML | 1 |

098300210 / C098300210

* NEW PART

X AS REQUIRED

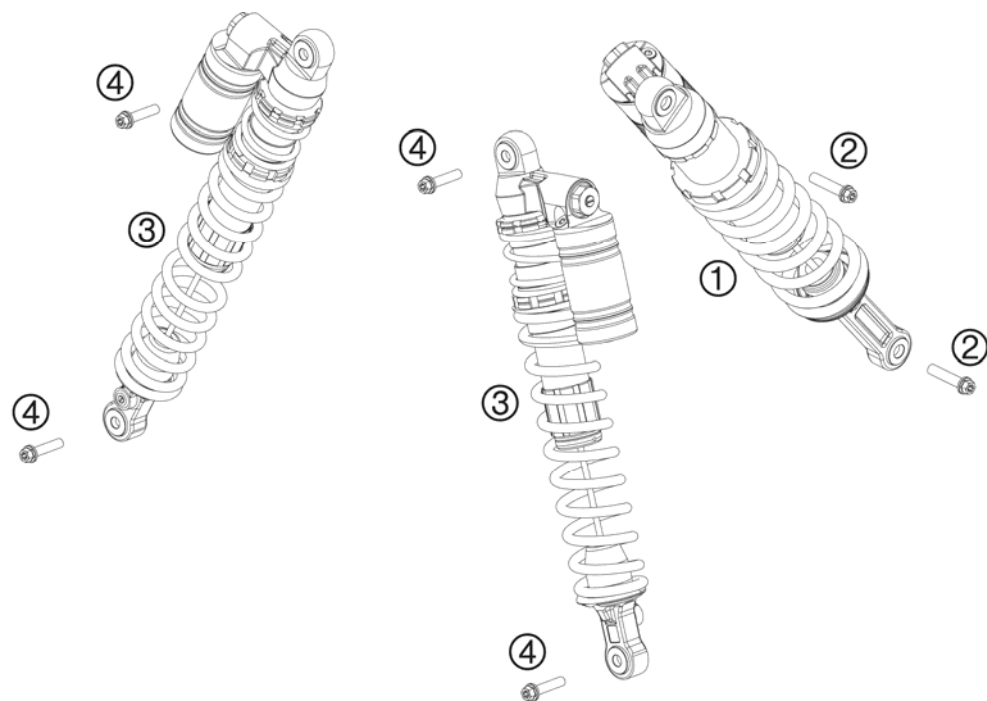


| FIG | PART NUMBER | DESCRIPTION | QTY |
|-----|---------------|--------------------------------|-----|
| 1* | 8300300110030 | FRAME ATV-XC "NC08" 2009 | 1 |
| 2* | 83003040200 | FOOTREST CPL. L/S 2009 | 1 |
| 3* | 83003041200 | FOOTREST CPL. R/S 2009 | 1 |
| 4* | 0035100249 | AH-COLLAR SCREW M10X24 ISA45 | 4 |
| 8 | 77303053051 | BUSH 8,2X10X22 | 1 |
| 9 | 83003053000 | CHAIN SLIDING PIECE BELOW | 1 |
| 10 | 0023100183 | COLLAR SCREW M10X18 TX | 4 |
| 11 | 83003013044 | ENGINE SUPPORT L/S CPL. | 1 |
| 12 | 83003113044 | ENGINE SUPPORT R/S CPL. | 1 |
| 13 | 0025060166 | HH COLLAR SCREW M6X16 TX30 | 2 |
| 14 | 83003090000 | FRAME PROTECTION BELOW | 1 |
| 16 | 0025080206 | HH COLLAR SCREW M8X20 TX40 | 1 |
| 17 | 8300300300030 | FRONT BUMPER BLACK | 1 |
| 18 | 0025080166 | HH COLLAR SCREW M8X16 TX40 | 4 |
| 19 | 83003002010 | SUB FRAME-BRACKET 07 | 1 |
| 20 | 0025080356S | HH COLLAR SCREW M8X35 TX40 | 4 |
| 21 | 36003014000 | LOCK WASHER 8MM | 4 |
| 22 | 83003002030 | FENDER MOUNTING | 2 |
| 24 | 83003002044 | SUB FRAME CPL. 08 | 1 |
| 25 | 83003002040 | HEELGUARD FIXING L/S | 1 |
| 26 | 83003002041 | HEELGUARD FIXING R/S | 1 |
| 27 | 0025060206 | HH COLLAR SCREW M6X20 TX30 | 4 |
| 28 | 0019080266S | COUNTER-SUNK SCREW ISA45 M8X26 | 2 |
| 30 | 0019080206S | FLAT HEAD SCREW M. ISA45 M8X20 | 2 |
| 31 | 0025080456 | HH COLLAR SCREW M8X45 TX40 | 1 |
| 32 | 83003099000 | PROTECT.FILM F. FRAME L/S 2008 | 1 |
| 33 | 83003099100 | PROTECT.FILM F. FRAME R/S 2008 | 1 |
| 34 | 59003013000 | ENGINEBRAC.SCREW M10X123 WS=13 | 2 |
| 35 | 54310086100 | SELF LOCKING NUT M10 CU WS=14 | 1 |

088300310 / C098300310

* NEW PART

X AS REQUIRED



| FIG | PART NUMBER | DESCRIPTION | QTY |
|-----|---------------|---------------------------|-----|
| 1* | 8300401014401 | MONOSHOCK CPL. REAR 2009 | 1 |
| 2 | 0015120556S | HH COLLAR M12X55 WS=13 06 | 2 |
| 3* | 8306105014401 | MONOSHOCK CPL. FRONT 2009 | 2 |
| 4 | 0023100453 | COLLAR SCREW M10X45 TX | 4 |

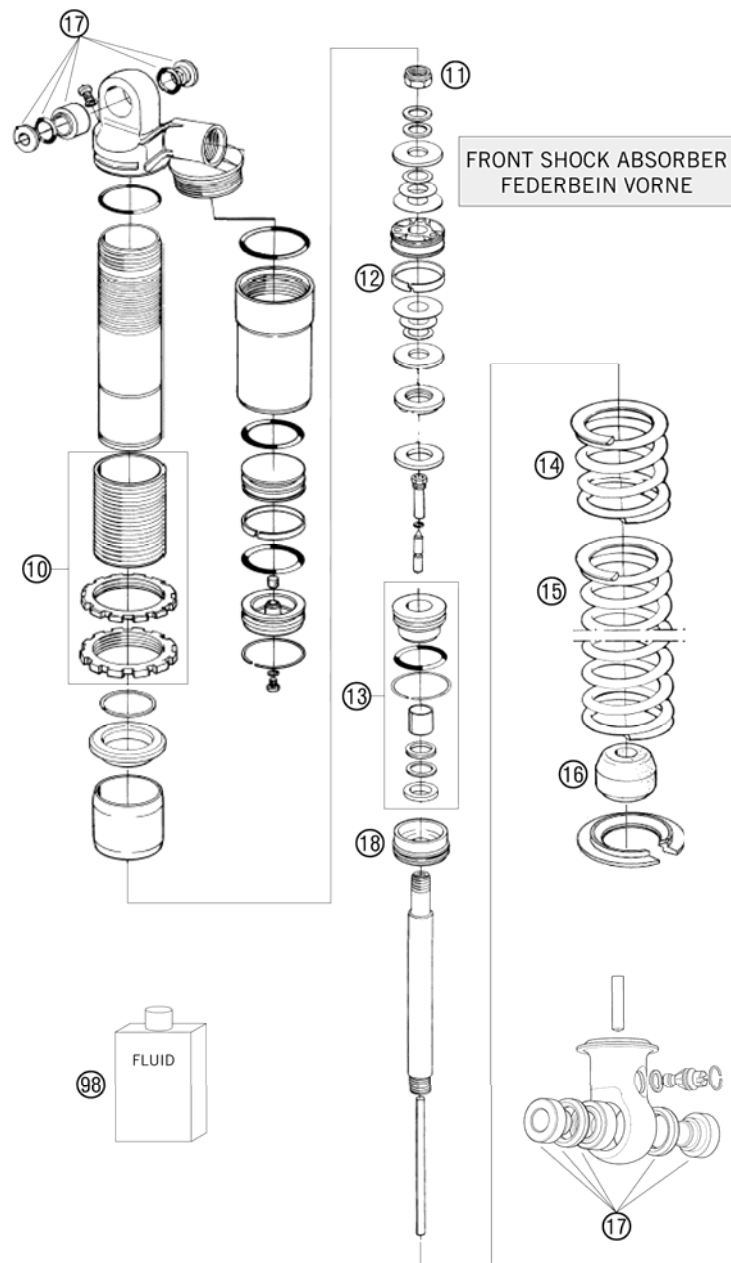
088300410 / C098300410

* NEW PART

X AS REQUIRED

SHOCK ABS. FRONT DISASSEMBLED

525 XC ATV 2009



| FIG | PART NUMBER | DESCRIPTION | QTY |
|-----|-------------|----------------------------|-----|
| 10 | 83004002000 | ADJ. AND LOCK NUT | 2 |
| 11 | 83004003000 | LOCK NUT | 2 |
| 12 | 83004004000 | PISTON RING | 2 |
| 13 | 83004005000 | ADAPTER CPL. | 2 |
| 14 | 83004006000 | SPRING SHORT | 2 |
| 14 | 83004006100 | SPRING SHORT HARDER | x |
| 15 | 83004007000 | SPRING LONG | 2 |
| 15 | 83004007100 | SPRING LONG HARDER | x |
| 15 | 83004007200 | SPRING LONG SOFTER | x |
| 16 | 83004008000 | BUMP RUBBER | 2 |
| 17 | 83004001000 | SHOCK ABSORBER BEARING KIT | 4 |
| 18 | 83004012000 | END CAP | 2 |
| 98 | 00062010037 | OIL ÖHLINS 12 X 1 LITER | 1 |

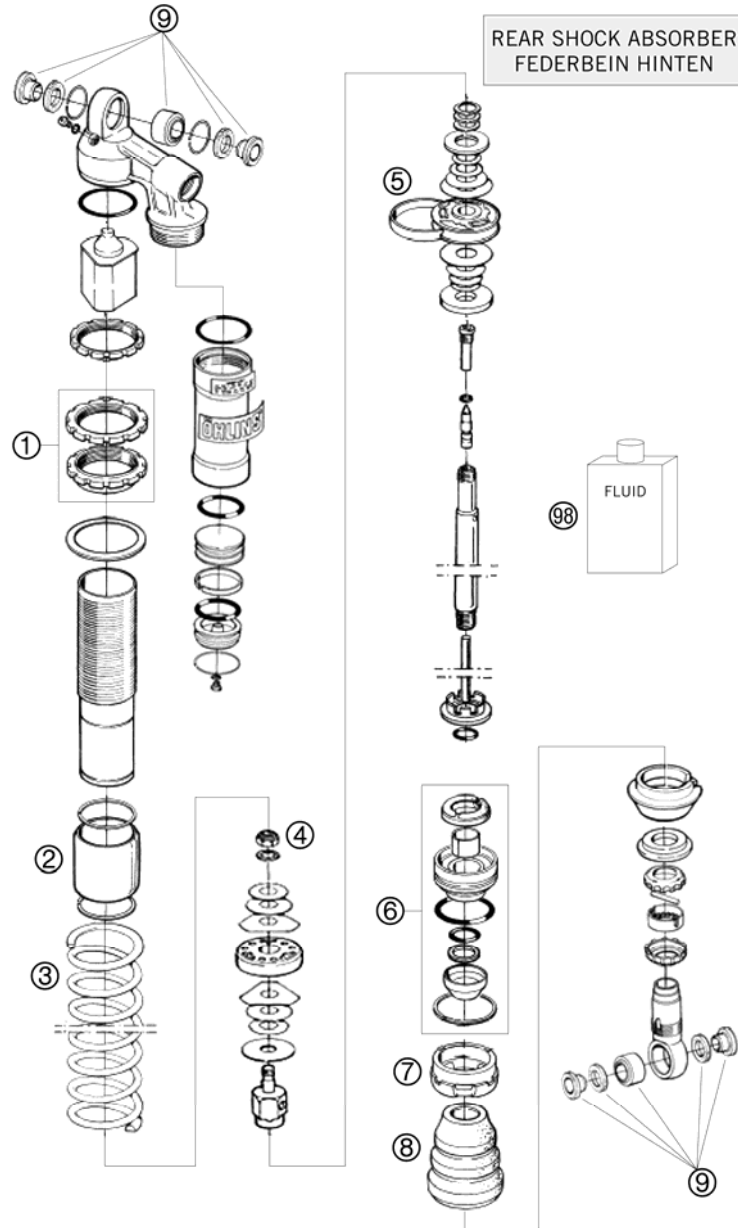
098300430 / C098300430

* NEW PART

X AS REQUIRED

SHOCK ABS. REAR DISASSEMBLED

525 XC ATV 2009



| FIG | PART NUMBER | DESCRIPTION | QTY |
|-----|-------------|-------------------------|-----|
| 1 | 83004101000 | ADJ.AND LOCK NUT | 1 |
| 2 | 83004102000 | SLEEVE | 1 |
| 3 | 83004103000 | SPRING | 1 |
| 3 | 83004103100 | SPRING HARDER | x |
| 3 | 83004103200 | SPRING SOFTER | x |
| 4 | 83004104000 | LOCK NUT | 1 |
| 5 | 83004105000 | PISTON RING | 1 |
| 6 | 83004106000 | ADAPTER CPL. | 1 |
| 7 | 83004107000 | END CAP | 1 |
| 8 | 83004108000 | BUMP RUBBER | 1 |
| 9 | 83004109000 | REP.KIT BEAR. CPL. | 2 |
| 98 | 00062010037 | OIL ÖHLINS 12 X 1 LITER | 1 |

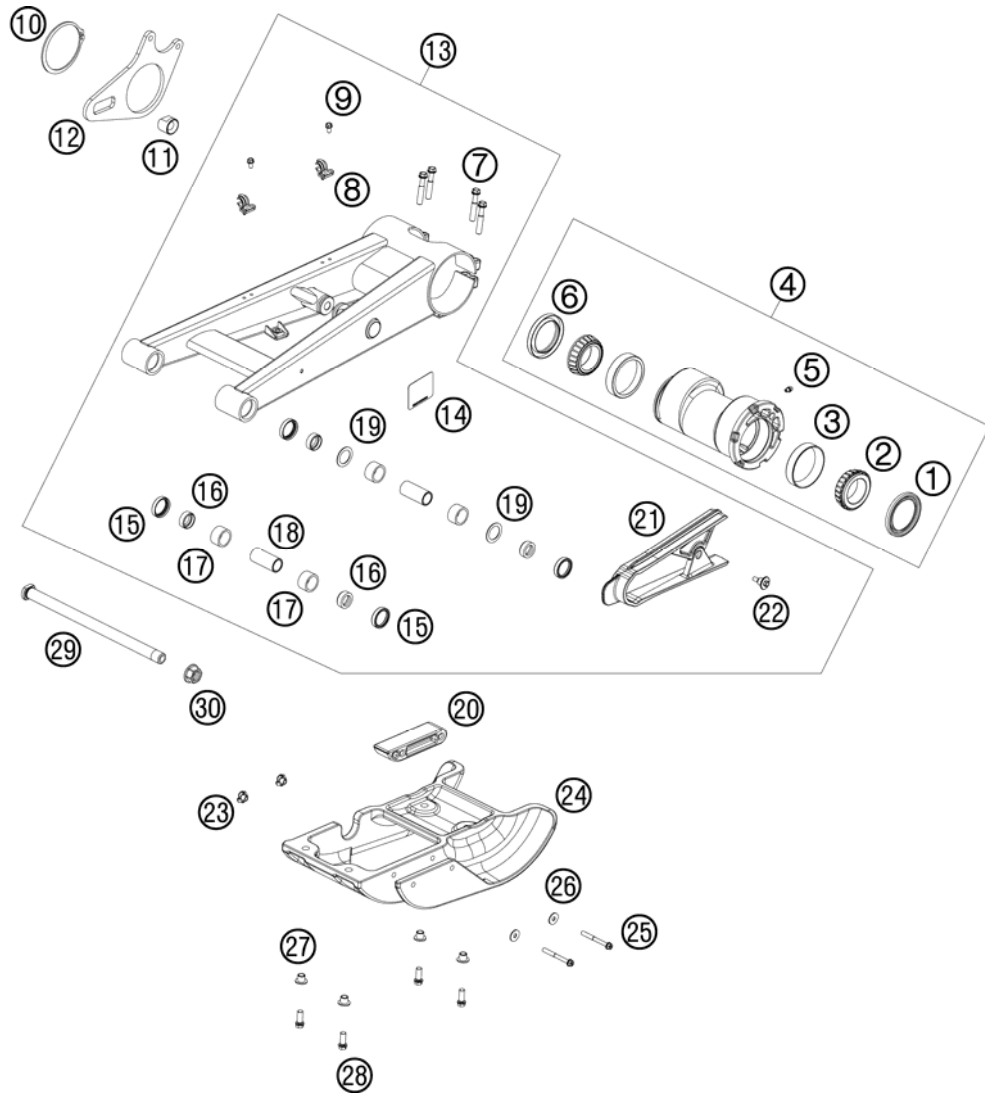
098300431 / C098300431

* NEW PART

X AS REQUIRED

SWING ARM

525 XC ATV 2009



| FIG | PART NUMBER | DESCRIPTION | QTY |
|-----|---------------|--------------------------------|-----|
| 1 | 83010040053 | SHAFT SEAL RING 2"X2,75"X0,25" | 1 |
| 2 | 83010040051 | INNER RING 32008 | 2 |
| 3 | 83010040050 | OUTER RING 32008 | 2 |
| 4 | 83010040033 | REAR WHEEL EXCENTRIC CPL. | 1 |
| 5 | 72003035000 | GREASE FITTING M6 STRAIGHT | 1 |
| 6 | 83010040052 | SHAFT SEAL RING 2"X2,75"X0,313 | 1 |
| 7 | 0025080456 | HH COLLAR SCREW M8X45 TX40 | 4 |
| 8 | 5461107610030 | RET. CLAMP F. BRAKE HOSE BLACK | 2 |
| 9 | 0009050103 | SPECIAL SCREW M 5,0X10 | 2 |
| 10 | 0471780250 | CIRCLIP DIN 471 78X2,5 | 1 |
| 11 | 83013052000 | BRAKE THRUST BEARING | 1 |
| 12 | 83013046100 | BRAKE CALIPER SUPPORT PLATE | 1 |
| 13 | 83004030044 | SWING ARM CPL. 2008 | 1 |
| 14 | 83004030090 | STICKER FOR CHAIN TENSION | 1 |
| 15 | 0760253270 | SHAFT SEAL RING 25X32X7 | 4 |
| 16 | 54804034000 | BUCKET F. SHAFT SEAL RING 03 | 4 |
| 17 | 58033097000 | NEEDLE BEARING HK 2216 | 4 |
| 18 | 54804032000 | BUSHING SLEEVE F. SWING ARM 03 | 2 |
| 19 | 54603036000 | STOP DISK 22,2X31,7X1 | 2 |
| 20 | 83004070000 | CHAIN GUIDE | 1 |
| 21 | 83004066000 | CHAIN SLIDING GUARD | 1 |
| 22 | 60035001000 | SPECIAL SCREW M6X21 WS=8 | 1 |
| 23 | 83004046060 | DRIVE-IN NUT FOR GUARD | 2 |
| 24 | 83004046000 | ASM-GUARD | 1 |
| 25 | 0025060556 | HH COLLAR SCREW M6X55 TX30 | 2 |
| 26 | 0021060003 | WASHER DIN9021-A 6,4 | 2 |
| 27 | 83004046050 | BUSHING F. SWINGPROTECTION | 4 |
| 28 | 0025080206 | HH COLLAR SCREW M8X20 TX40 | 4 |
| 29 | 83004037000 | SWING ARM BOLT | 1 |
| 30 | 54804038000 | SELF LOCK.NUT M16X1,5 WS=19 03 | 1 |

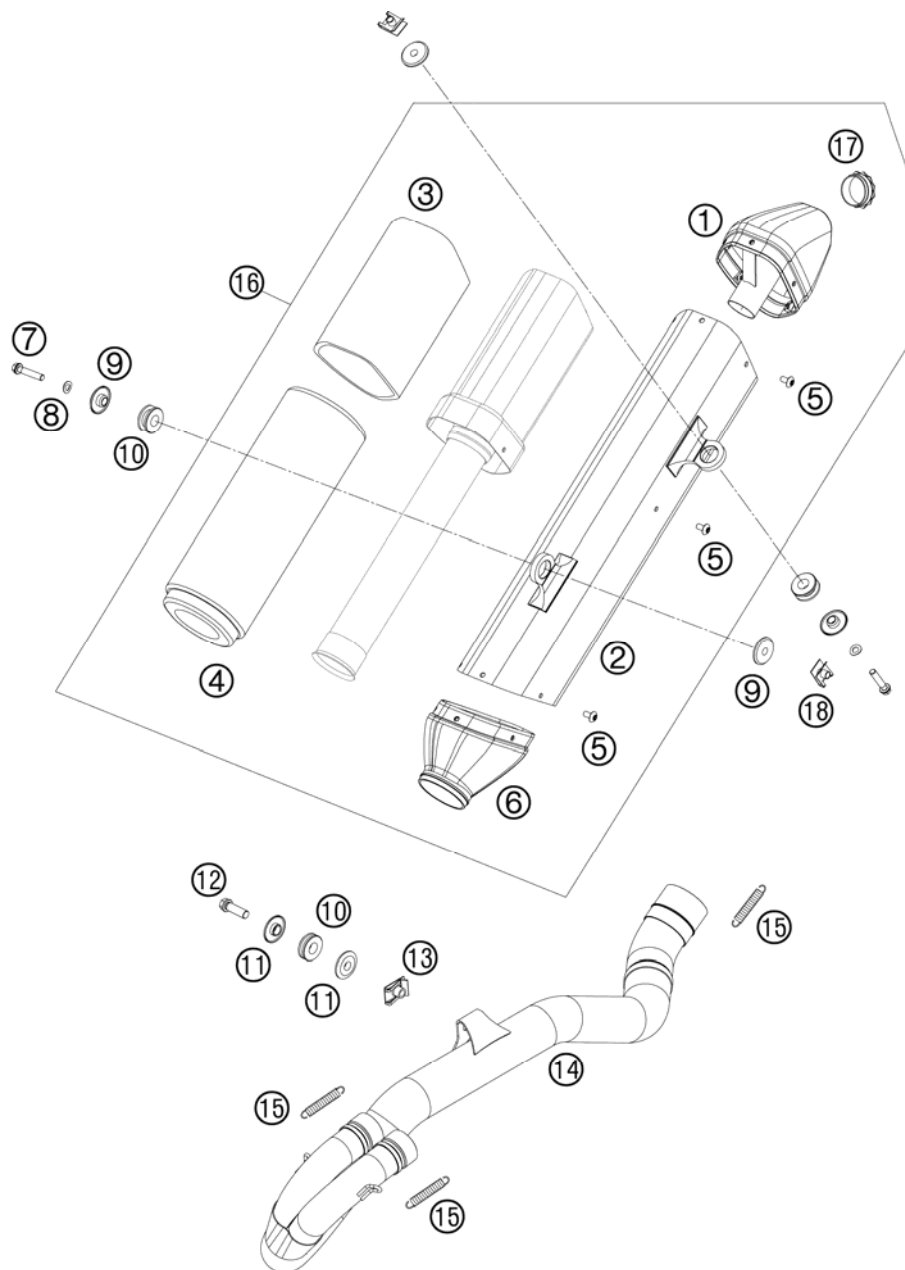
088300490 / C098300490

* NEW PART

X AS REQUIRED

EXHAUST SYSTEM

525 XC ATV 2009

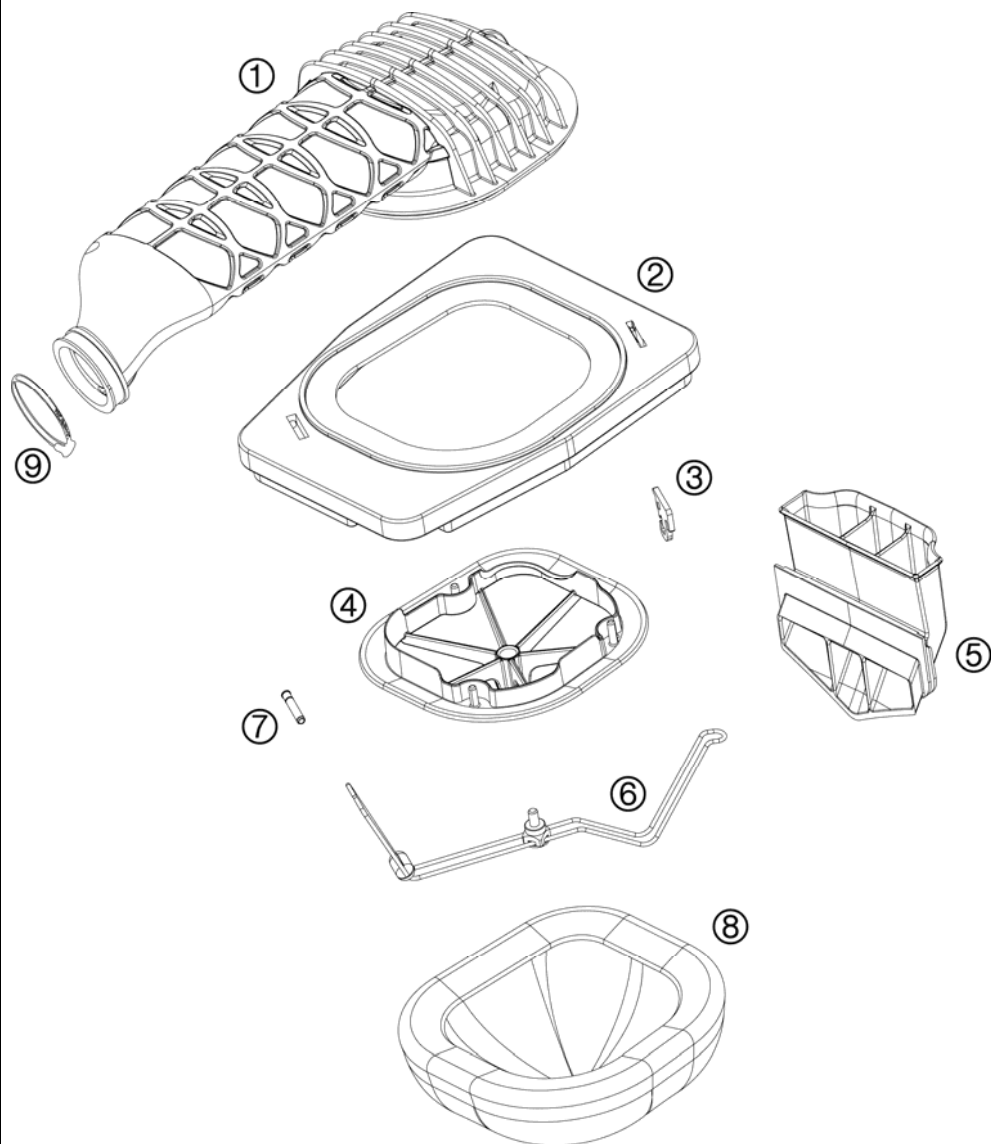


| FIG | PART NUMBER | DESCRIPTION | QTY |
|-----|-------------|--------------------------------|-----|
| 1 | 83005082070 | ENDCAP SPARKY ATV 08 | 1 |
| 2 | 83005082050 | SILENCER HOUSING SPARKY ATV | 1 |
| 3 | 77005081016 | STUFFING YARN EXC-F 07 | 1 |
| 4 | 58705078350 | STUFFINGYARN 350 GRAMM '99 | 1 |
| 5 | 58605083010 | SCREW TORX M5X10 05 | 12 |
| 6 | 83005082060 | CONNECTING CAP CPL. ATV | 1 |
| 7 | 0025060306 | HH COLLAR SCREW M6X30 TX30 | 2 |
| 8 | 0137060003 | SPRING WASHER DIN0137-B 6 | 2 |
| 9 | 54605069000 | BUSHING 7,5X12X28X7,8 '96 | 4 |
| 10 | 54605068000 | EXHAUST BRACKET RUBBER BLACK | 3 |
| 11 | 59405069000 | BUSHING FOR EXHAUST SUPPORT 03 | 2 |
| 12 | 0025080256 | HH COLLAR SCREW M8X25 TX40 | 1 |
| 13 | 54603048000 | RANGE CHANGE METAL NUT M8 | 1 |
| 14 | 83005007000 | EXHAUST MANIFOLD R/S CPL. | 1 |
| 15 | 50305016000 | TEN.SPRING L=62MM EY.MOVEABLE | 3 |
| 16 | 83005082000 | EXH. SIL. CPL. R/S ATV SPARKY | 1 |
| 17 | 77005081055 | SIL. ELEMENT EXC-F 07 | 1 |
| 18 | 54603048100 | RANGE CHANGE METAL NUT M6 | 2 |

088300510 / C088300510

* NEW PART

X AS REQUIRED



| FIG | PART NUMBER | DESCRIPTION | QTY |
|-----|-------------|--------------------------------|-----|
| 1 | 83006026000 | CARBURETOR CONNECTION BOOT | 1 |
| 2* | 83008072130 | AIR FILTER BOX COVER | 1 |
| 3 | 77306019000 | FASTEN. DEVICE FILTER S. SX 07 | 1 |
| 4 | 77306016000 | FILTER CARRIER 4S SX 07 | 1 |
| 5 | 83006024000 | INTAKE MANIFOLD | 1 |
| 6 | 83006017000 | AIR FILTER SUPPORT BRACKET CPL | 1 |
| 7 | 77306018000 | FILTER SUPPORT BUSH 07 | 1 |
| 8 | 77306015000 | AIR FILTER 07 | 1 |
| 9 | 51006027000 | HOSE CLAMP 50-70MM | 1 |

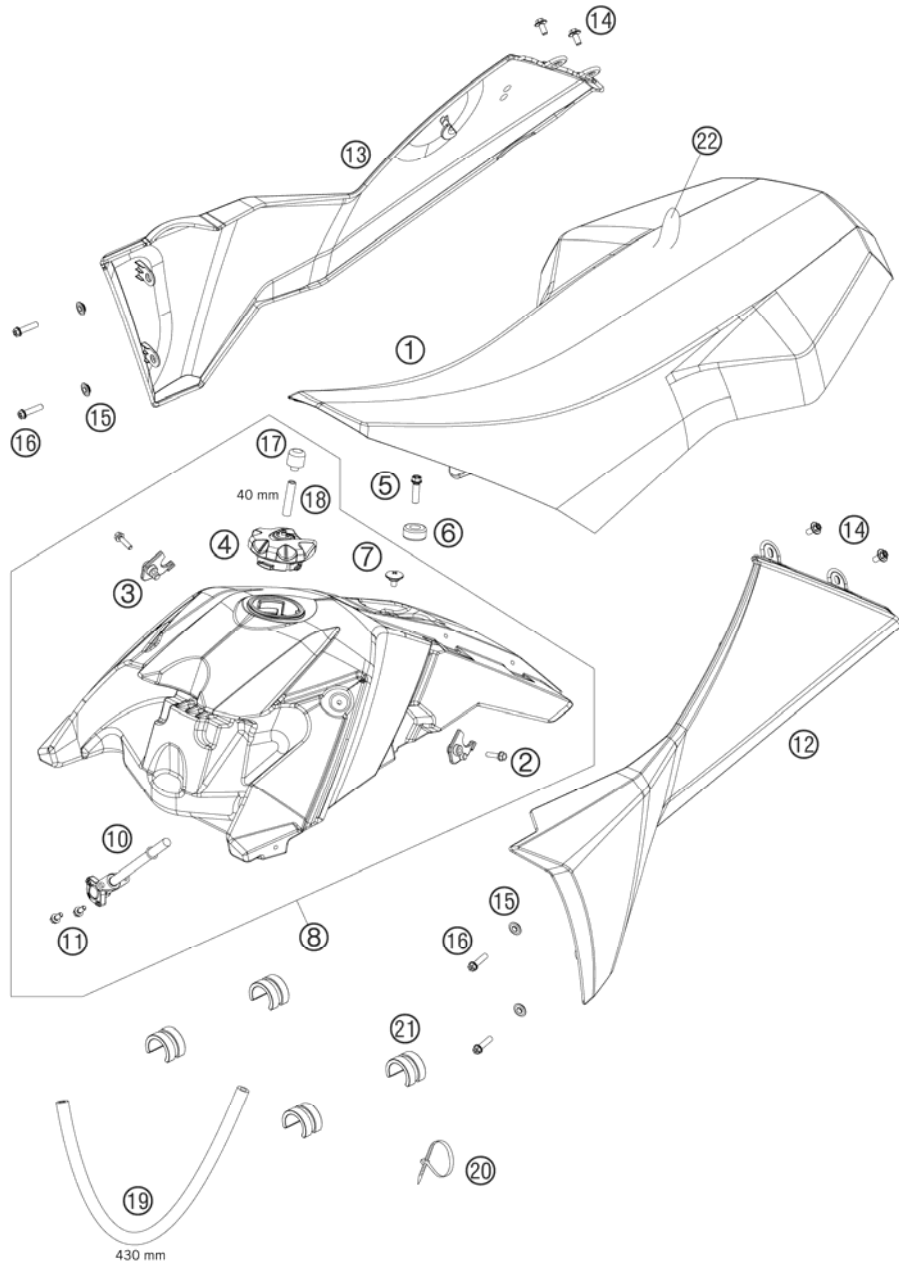
088300610 / C098300610

* NEW PART

X AS REQUIRED

TANK, SEAT, COVERS

525 XC ATV 2009

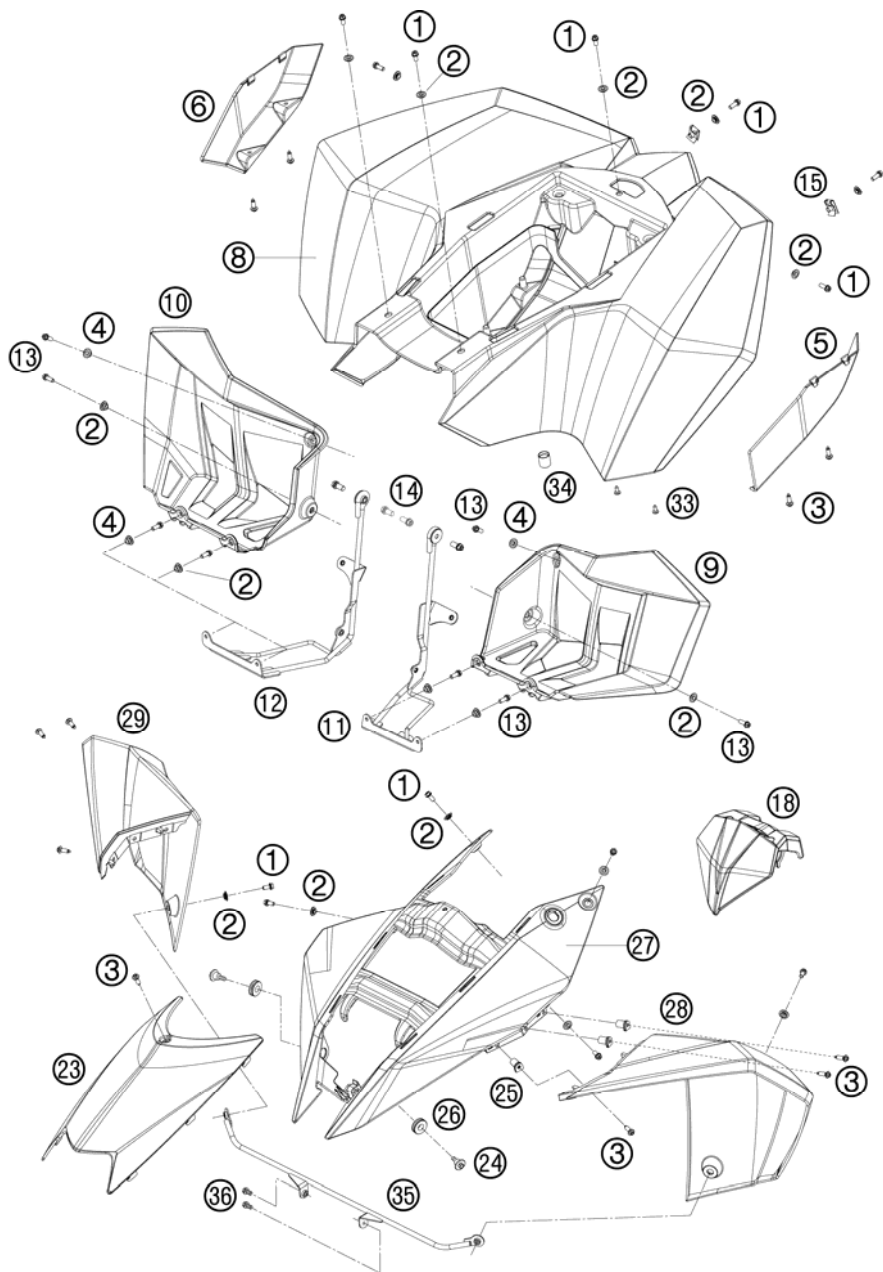


| FIG | PART NUMBER | DESCRIPTION | QTY |
|-----|---------------|------------------------------|-----|
| 1* | 83007040100 | SEAT ATV 2009 | 1 |
| 2* | 0024050206 | HH COLLAR SCREW M5X20 TX 30 | 2 |
| 3 | 83007013050 | SPOILER BRACKET | 2 |
| 4 | 78007008044 | TANK PLUG CPL. EXC 08 | 1 |
| 5 | 0025060166 | HH COLLAR SCREW M6X16 TX30 | 1 |
| 6 | 50307014000 | TANK ROLLER 12X26X12 '98 | 1 |
| 7 | 58407011100 | SCREW FOR SEAT M6X11,5/8 | 1 |
| 8 | 8300701303330 | FUEL TANK CPL. | 1 |
| 10 | 58307105200 | FUEL COCK CPL. OFF-ON-RES | 1 |
| 11 | 0014050123 | HH COLLAR SCREW M 5X12 WS=6 | 2 |
| 12 | 8300805000030 | RADIATOR SPOILER L/S BLACK | 1 |
| 13 | 8300805100030 | RADIATOR SPOILER R/S BLACK | 1 |
| 14 | 0024060106 | HH COLLAR SCREW M6X10 TX30 | 4 |
| 15 | 50308053000 | BUSH FOR SPOILER 6X11X16X7,5 | 4 |
| 16 | 0025060206 | HH COLLAR SCREW M6X20 TX30 | 4 |
| 17 | 83007030000 | BLEEDING STUBBLE | 1 |
| 18 | 58307016001 | FUEL HOSE VITON 6X1,5 PER/M | x |
| 19 | 83007016000 | FUEL HOSE | 1 |
| 20 | 44011076200 | CABLE TIE 200/3,6MM BLACK | x |
| 21 | 61007014000 | SPACER FUEL TANK 05 | 4 |
| 22 | 83007040050 | SEAT COVER | 1 |

088300710 / C098300710

* NEW PART

X AS REQUIRED

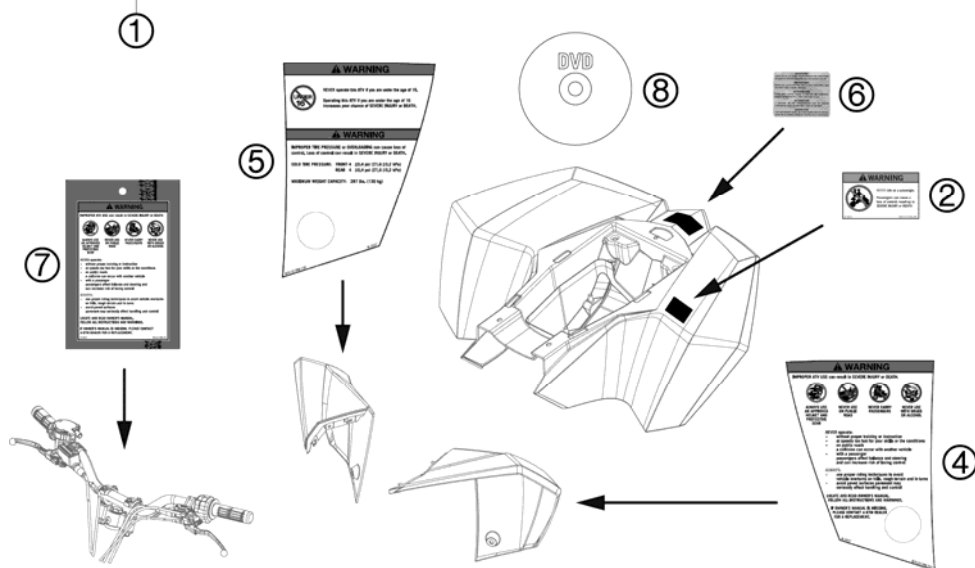
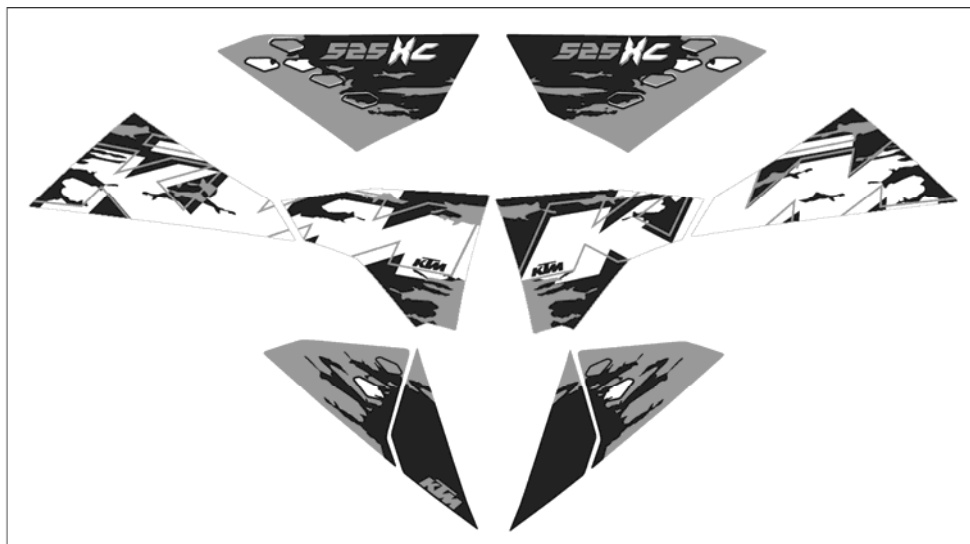


| FIG | PART NUMBER | DESCRIPTION | QTY |
|-----|---------------|-------------------------------|-----|
| 1 | 0025060126 | HH COLLAR SCREW M6X12 TX30 | 13 |
| 2 | 50308052000 | BUSH FOR SPOILER 6X11X16X5 MM | 15 |
| 3 | 0017060203 | EJOT PT SCREW K60X20 WS=6 | 11 |
| 4 | 50308053000 | BUSH FOR SPOILER 6X11X16X7,5 | 6 |
| 5 | 8300807201004 | AIR INTAKE L/S ORANGE | 1 |
| 6 | 8300807202004 | AIR INTAKE R/S ORANGE | 1 |
| 8* | 8300807214404 | REAR FENDER+AIR INTAKE ORANGE | 1 |
| 9 | 8300805500030 | HEEL GUARD L/S BLACK | 1 |
| 10 | 8300805600030 | HEEL GUARD R/S BLACK | 1 |
| 11* | 83008057100 | HEELGUARD FIXING L/S | 1 |
| 12* | 83008058100 | HEELGUARD FIXING R/S | 1 |
| 13 | 0025060166 | HH COLLAR SCREW M6X16 TX30 | 8 |
| 14 | 0025080166 | HH COLLAR SCREW M8X16 TX40 | 2 |
| 15 | 54603048100 | RANGE CHANGE METAL NUT M6 | 2 |
| 18 | 83014070000 | INSTRUMENTS BRACKET | 1 |
| 23 | 8300800200030 | FRONT COVER BLACK | 1 |
| 24 | 60035001000 | SPECIAL SCREW M6X21 WS=8 | 2 |
| 25 | 83008010060 | CLIP NUT EASY BOSS 60X2X7 | 6 |
| 26 | 41001052000 | RUBBER SLEEVE D=12MM | 2 |
| 27 | 8300800100104 | FRONT PLASTICPART ORANGE | 1 |
| 28 | 8300801000004 | FRONT FENDER L/S ORANGE | 1 |
| 29 | 8300801100004 | FRONT FENDER R/S ORANGE | 1 |
| 33 | 0016050121 | SCREW FOR PLASTIC 50X12 | 2 |
| 34 | 83006005000 | AIR FILTER BOX COVER | 1 |
| 35 | 83008010050 | FENDER-FRAME CONNECTION | 1 |
| 36 | 0025060106 | HH COLLAR SCREW M6X10 TX30 | 2 |

088300810 / C098300810

* NEW PART

X AS REQUIRED

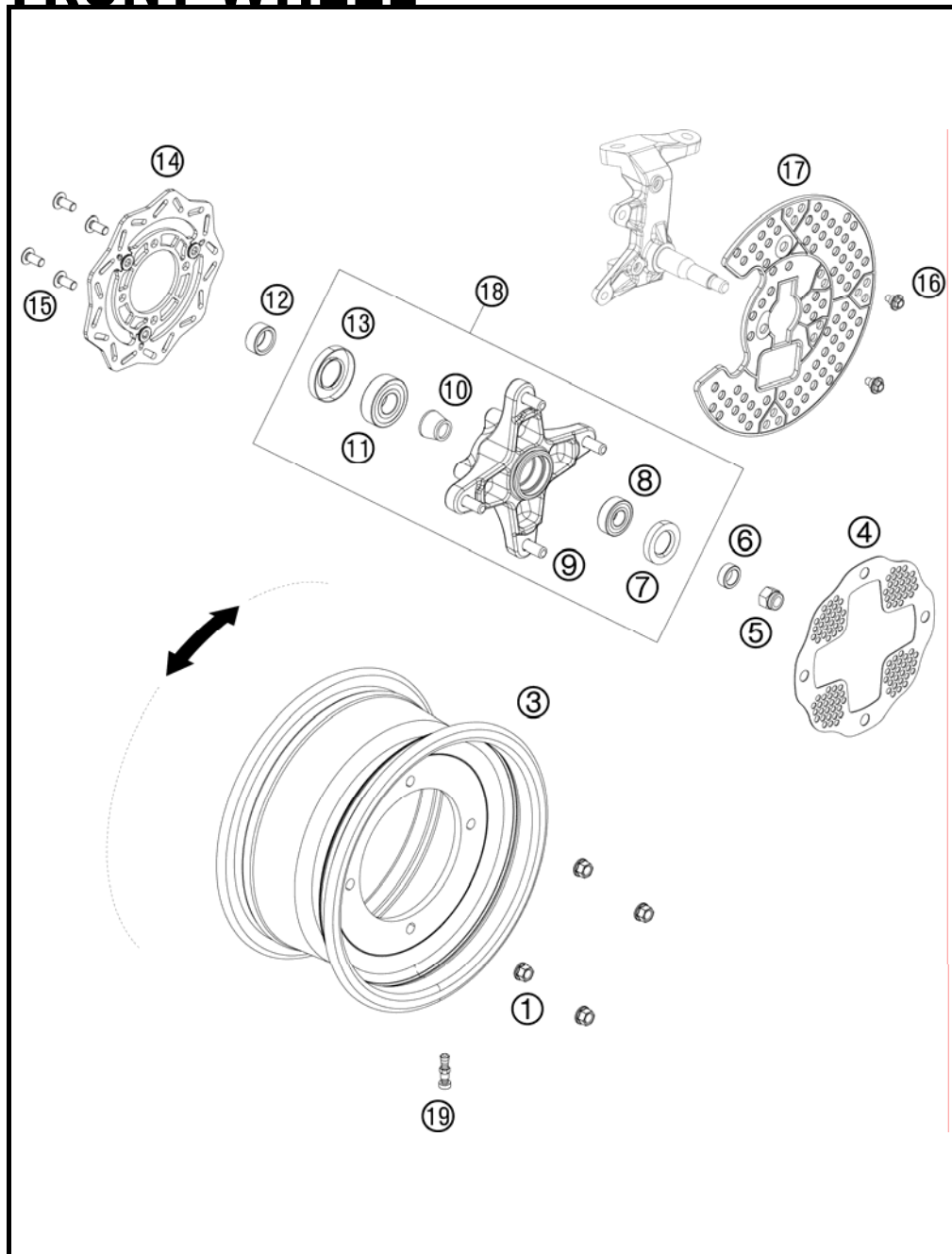


| FIG | PART NUMBER | DESCRIPTION | QTY |
|-----|-------------|---------------------------|-----|
| 1 | 83008099000 | DECAL SET 525 ATV XC 2008 | 1 |
| 2 | 83003098300 | STICKER "WARNING LABEL 4" | 1 |
| 4* | 83503098000 | STICKER "WARNING LABEL 1" | 1 |
| 5* | 83503098100 | STICKER "WARNING LABEL 2" | 1 |
| 6 | 50307098000 | STICKER "OWNERS MANUAL" | 1 |
| 7* | 83503098400 | SAFETY PLAQUETTE | 1 |
| 8 | 3212081 | ATV SAFETY TRAINING DVD | 1 |

098300831 / C098300831

* NEW PART

X AS REQUIRED



| FIG | PART NUMBER | DESCRIPTION | QTY |
|-----|-------------|--------------------------------|-----|
| 1 | 58414030000 | HH COLLAR NUT M10X1,25 WS=13 | 8 |
| 3 | 83009070000 | RIM FRONT 10X5-5 | 2 |
| 4 | 83009066000 | OUTER BRAKE DISK PROTECTOR | 2 |
| 5 | 0985120003 | SELF LOCKING NUT DIN0985-M12 | 2 |
| 6 | 83009013000 | SPACER BUSHING | 2 |
| 7 | 0760224070 | SHAFT SEAL RING BSL 22X40X7NBR | 2 |
| 8 | 0625062028 | BALL BEARING 6202-2RSH/C3 | 2 |
| 9* | 83009016000 | WHEELBOLT | 4 |
| 10 | 83009014000 | BEARING SPACER BUSHING | 2 |
| 11 | 0625062047 | BALL BEARING 6204-2RSH/C3 | 2 |
| 12 | 83009015000 | SPACER BUSHING | 2 |
| 13 | 0760285270 | SHAFT SEAL RING BSL 28X52X7NBR | 2 |
| 14 | 83009060000 | BRAKE DISK | 2 |
| 15 | 0738080166S | FLAT HEAD SCREW ISO7380 M8X16 | 8 |
| 16 | 59001092050 | SPECIAL SCREW M6X12,5 WS=8 | 4 |
| 17 | 83009065000 | BRAKE DISK PROTECTOR | 2 |
| 18 | 83009010044 | FRONT WHEEL HUB CPL. SP 2008 | 2 |
| 19 | 83009076000 | VALVE | 2 |

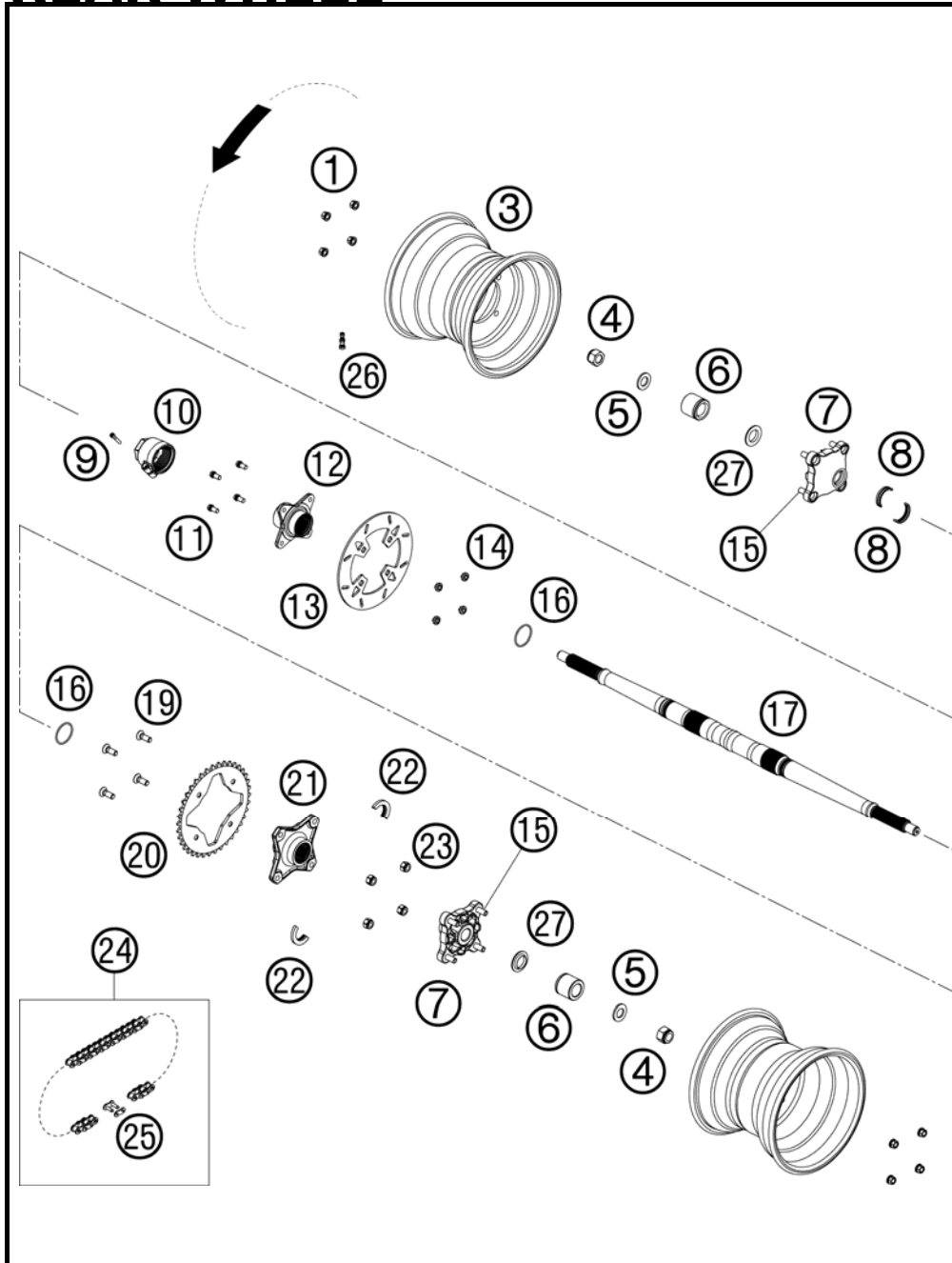
088300910 / C098300910

* NEW PART

X AS REQUIRED

REAR WHEEL

525 XC ATV 2009

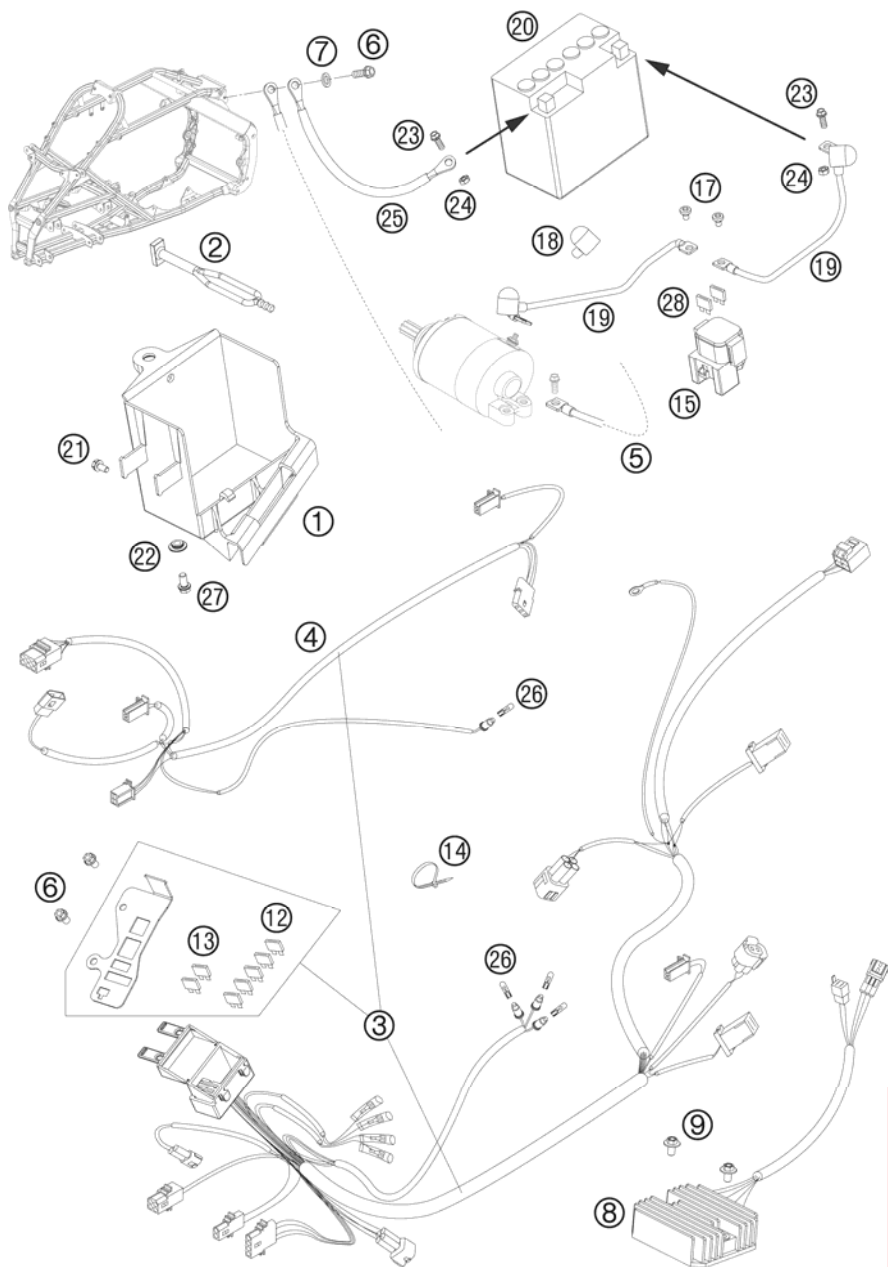


| FIG | PART NUMBER | DESCRIPTION | QTY |
|-----|-------------|--------------------------------|-----|
| 1 | 58414030000 | HH COLLAR NUT M10X1,25 WS=13 | 8 |
| 3 | 83010070000 | RIM REAR 8X9" | 2 |
| 4 | 0985181503 | SELF LOCK.NUT DIN0985-M18X1,5 | 2 |
| 5* | 83010021000 | TENSIONER RAIL DIN6796 D=19 | 2 |
| 6 | 83010013000 | SPACER BUSHING | 2 |
| 7 | 83010069044 | REAR WHEEL HUB CPL. | 2 |
| 8 | 83010063000 | CIRCLIP REAR AXLE | 2 |
| 9 | 0912060303 | AH SCREW DIN0912-M 6X30 | 1 |
| 10 | 83010064000 | TENSION NUT | 1 |
| 11 | 0025080166 | HH COLLAR SCREW M8X16 TX40 | 4 |
| 12 | 83010062000 | BRAKE DISK SUPPORT 08 | 1 |
| 13 | 83010060000 | BRAKE DISK REAR D=200 MM | 1 |
| 14 | 83010060050 | SPECIAL NUT BRAKE DISK FIXING | 4 |
| 15* | 83009016000 | WHEELBOLT | 4 |
| 16 | 0770039026 | O-RING 39,34X2,62 NBR 70 SH | 2 |
| 17 | 83010016000 | REAR WHEEL AXLE | 1 |
| 19 | 60003004027 | FL.HEAD SCREW M10X1,25 L=27 03 | 4 |
| 20 | 83010051038 | SPROCKET 38T | x |
| 21 | 83010050000 | SPROCKET SUPPORT 08 | 1 |
| 22 | 83010063100 | CIRCLIP REAR AXLE SPROCKET | 2 |
| 23 | 0982101253 | SELF LOCK.NUT M10X1,25 | 4 |
| 24 | 50310800118 | CHAIN Z-RING 5/8X1/4" REGINA | 1 |
| 25 | 50310366000 | CONNECTING LINK F. 50310800118 | 1 |
| 25 | 50310866000 | MASTER LINK FOR 50310800118 | x |
| 26 | 83009076000 | VALVE | 2 |
| 27 | 83010014000 | CONUSRING REAR AXLE | 2 |

088301010 / C098301010

* NEW PART

X AS REQUIRED



| FIG | PART NUMBER | DESCRIPTION | QTY |
|-----|-------------|--------------------------------|-----|
| 1 | 83011055000 | BATTERY BOX | 1 |
| 2 | 50303018000 | RUBBER L=145MM | 1 |
| 3 | 83011075050 | MAIN/LIGHT WIRING HARNESS 08 | 1 |
| 4 | 83011079000 | LIGHTING WIRING HARNESS 08 | 1 |
| 5 | 83011097100 | GROUND CABLE 2 | 1 |
| 6 | 0025060166 | HH COLLAR SCREW M6X16 TX30 | 3 |
| 7 | 58411098100 | CONTACT WASHER M6 VSV-K6 | 1 |
| 8 | 83011034000 | VOLTAGE REGULATOR | 1 |
| 9 | 0025060206 | HH COLLAR SCREW M6X20 TX30 | 2 |
| 12 | 58011109110 | FUSE 10 A 2000 | 5 |
| 13 | 58011109115 | FUSE 15 A | 2 |
| 14 | 44011076100 | CABLE TIE 100/2,5MM BLACK | x |
| 14 | 44011076200 | CABLE TIE 200/3,6MM BLACK | x |
| 15 | 58211058000 | STARTER RELAY 12V '99 | 1 |
| 17 | 0902060083 | AH OVAL SCREW ISO 7380 M 6X8 | 2 |
| 18 | 58440099000 | PROTECTION CAP F. STARTER ENG. | 2 |
| 19 | 83011059000 | STARTER CABLE | 2 |
| 20 | 58511053000 | BATTERY 12V 4AH YTX5L-BS | 1 |
| 21 | 0025050126 | HH COLLAR SCREW M5x12 TX30 | 1 |
| 22 | 50308052000 | BUSH FOR SPOILER 6X11X16X5 MM | 1 |
| 23 | 0023060123 | COLLAR SCREW M6X12 TX | 2 |
| 24 | 0934060003 | HEXAGON NUT DIN0934-M 6 | 2 |
| 25 | 83011097000 | GROUND CABLE 1 | 1 |
| 26 | 49111425000 | BULB 12V 1,2W (W2X4,6D) | 4 |
| 27 | 0025060126 | HH COLLAR SCREW M6X12 TX30 | 1 |
| 28 | 58011109120 | FUSE 20 A | 2 |

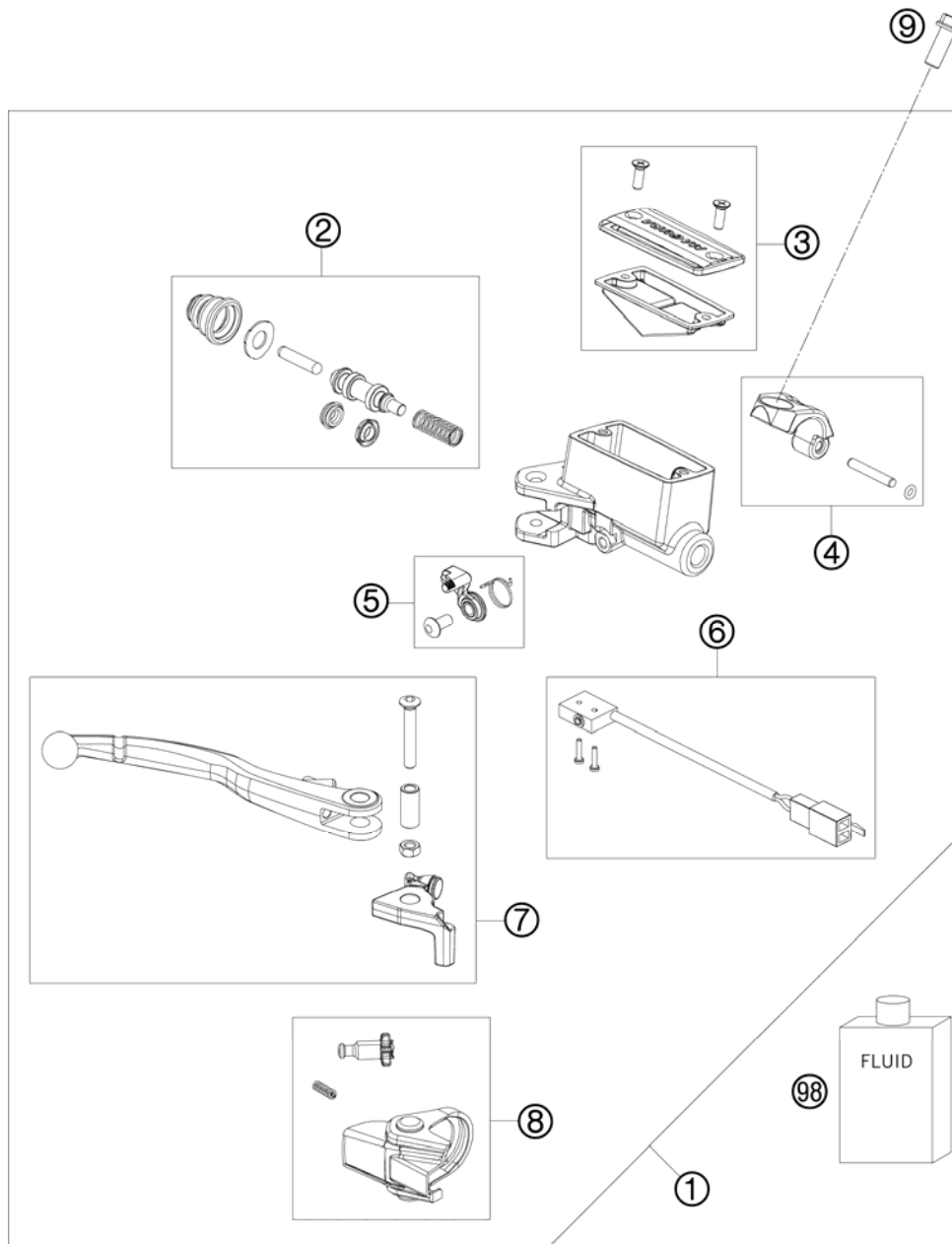
088301110 / C098301110

* NEW PART

X AS REQUIRED

HAND BRAKE CYLINDER

525 XC ATV 2009

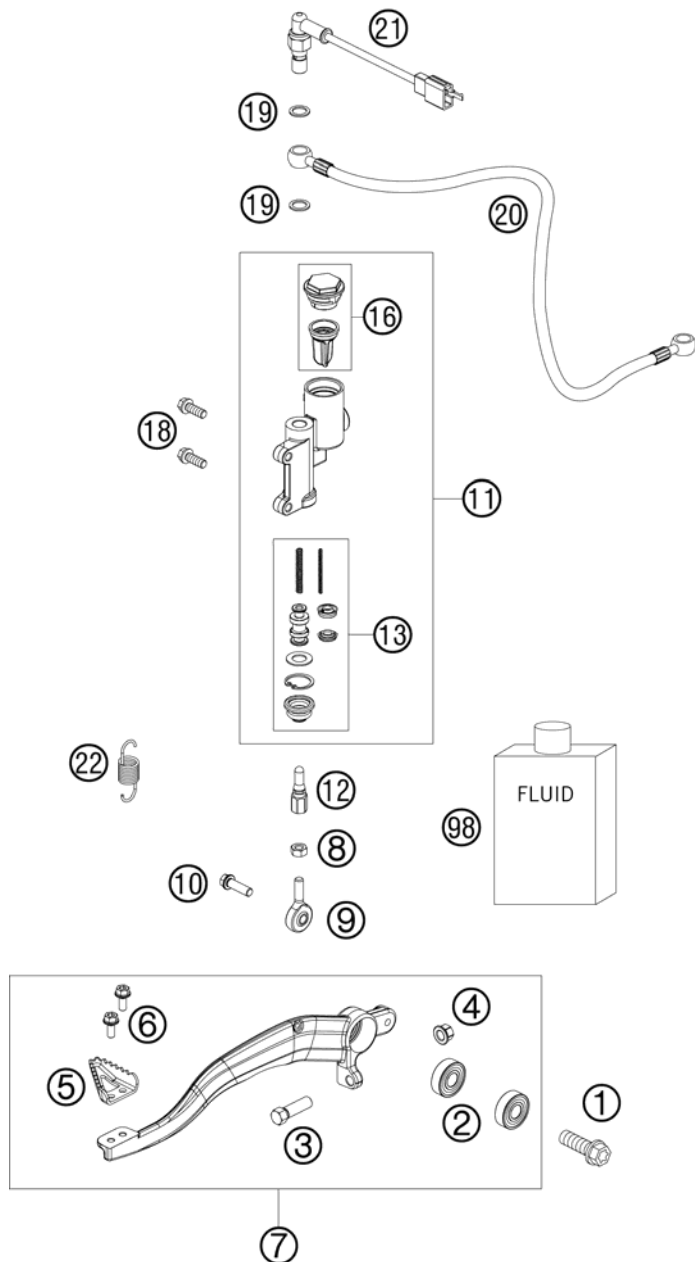


| FIG | PART NUMBER | DESCRIPTION | QTY |
|-----|-------------|--------------------------------|-----|
| 1 | 83013001000 | HAND BRAKE CYL. MAGURA 12MM | 1 |
| 2 | 83013008000 | REPAIR KIT PISTON MAGURA 12MM | 1 |
| 3 | 83013003000 | COVER, MEMBRANE, SCREW | 1 |
| 4 | 83013005000 | CLAMP, CYL. PIN, O-RING | 1 |
| 5 | 83013009000 | ARRESTING LEVER, SPRING, SCREW | 1 |
| 6 | 50311051100 | BRAKE LIGHT SWITCH REAR '98 | 1 |
| 7 | 83013002000 | HAND-BRAKE LEVER CPL. MAGURA | 1 |
| 8 | 83013004000 | CAP, ADJUSTING SCREW, SPRING | 1 |
| 9 | 0025060166 | HH COLLAR SCREW M6X16 TX30 | 1 |
| 98 | 00062030000 | BRAKE FLUID DOT5.1 0,25L | 1 |

088301310 / C088301310

* NEW PART

X AS REQUIRED



| FIG | PART NUMBER | DESCRIPTION | QTY |
|-----|-------------|--------------------------------|-----|
| 1* | 0035100309S | AH-COLLAR SCREW M10X30 ISA45 | 1 |
| 2 | 0625060002 | BALL BEARING SKF 6000-2RS1 | 2 |
| 3 | 59001037000 | SPECIAL SCREW M8X26 WS=10 | 1 |
| 4 | 46030045000 | COLLAR NUT M8 WS=10 | 1 |
| 5 | 60013051000 | STEP PLATE FOOT BRAKE LEVER 03 | 1 |
| 6 | 0025050126 | HH COLLAR SCREW M5x12 TX30 | 2 |
| 7 | 83013050044 | FOOT BRAKE LEVER CPL. ATV | 1 |
| 8 | 0985060003 | SELF LOCK. NUT DIN0985-M 6 | 1 |
| 9 | 54813055000 | SWIVEL HEAD KA6 03 | 1 |
| 10 | 0025060206 | HH COLLAR SCREW M6X20 TX30 | 1 |
| 11 | 83013060000 | FOOT BRAKE CYL. MAGURA 13MM | 1 |
| 12 | 83013056000 | PUSH ROD | 1 |
| 13 | 83013061000 | REPAIR KIT PISTON MAGURA 13 MM | 1 |
| 16 | 83013062000 | COVER, MEMBRANE MAGURA | 1 |
| 18 | 0025060166 | HH COLLAR SCREW M6X16 TX30 | 2 |
| 19 | 59413013050 | COPPER GASKET | 2 |
| 20* | 83013070100 | BRAKE HOSE REAR | 1 |
| 21 | 50311051100 | BRAKE LIGHT SWITCH REAR '98 | 1 |
| 22 | 83003062000 | RETURN SPRING F. BRAKE LEVER | 1 |
| 98 | 00062030000 | BRAKE FLUID DOT5.1 0,25L | 1 |

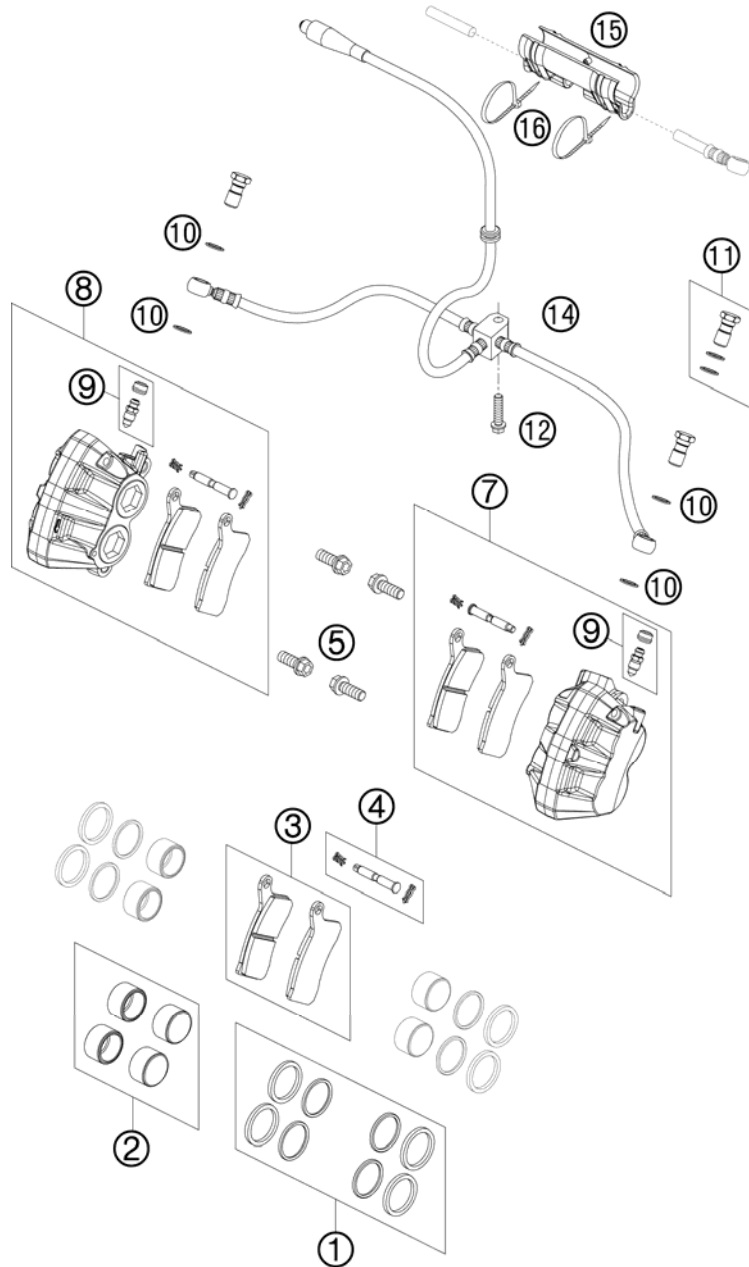
088301330 / C098301330

* NEW PART

X AS REQUIRED

BRAKE CALIPER FRONT

525 XC ATV 2009



| FIG | PART NUMBER | DESCRIPTION | QTY |
|-----|-------------|------------------------------|-----|
| 1 | 83013021000 | SEALING RING 8X MAGURA 26MM | 1 |
| 2 | 83013019000 | PISTON KIT 4X MAGURA 26MM | 1 |
| 3 | 83013030100 | BRAKE PAD SET FRONT ORGANIC | 2 |
| 4 | 83013017000 | SET - BOLT 1X, PIN 2X | 2 |
| 5 | 0025080206 | HH COLLAR SCREW M8X20 TX40 | 4 |
| 7* | 83013015100 | BRAKE CALIPER FRONT L/S | 1 |
| 8* | 83013016100 | BRAKE CALIPER FRONT R/S | 1 |
| 9 | 54732064000 | BLEEDER SCREW WITH CAP | 2 |
| 10 | 59413013050 | COPPER GASKET | 4 |
| 11 | 59032062000 | HOLLOW SCREW + COPPER GASKET | 2 |
| 12 | 0025060256 | HH COLLAR SCREW M6X25 TX30 | 1 |
| 14 | 83013012000 | BRAKE PIPE FRONT 790 2X610MM | 1 |
| 15 | 83013012050 | BRAKE LINE GUIDE | 2 |
| 16 | 44011076305 | CABLE TIE 300/4,8MM BLACK | x |

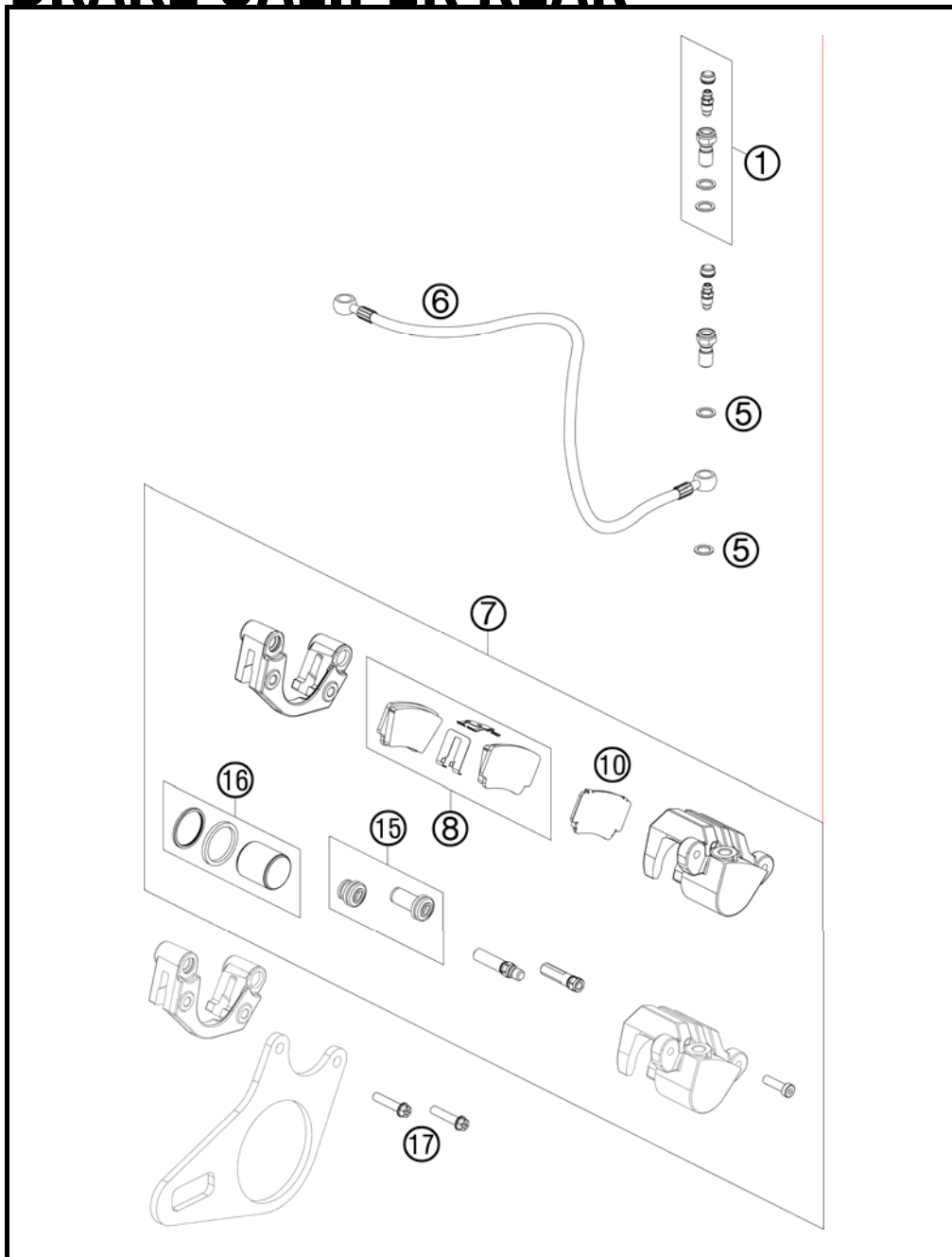
098301360 / C098301360

* NEW PART

X AS REQUIRED

BRAKE CALIPER REAR

525 XC ATV 2009

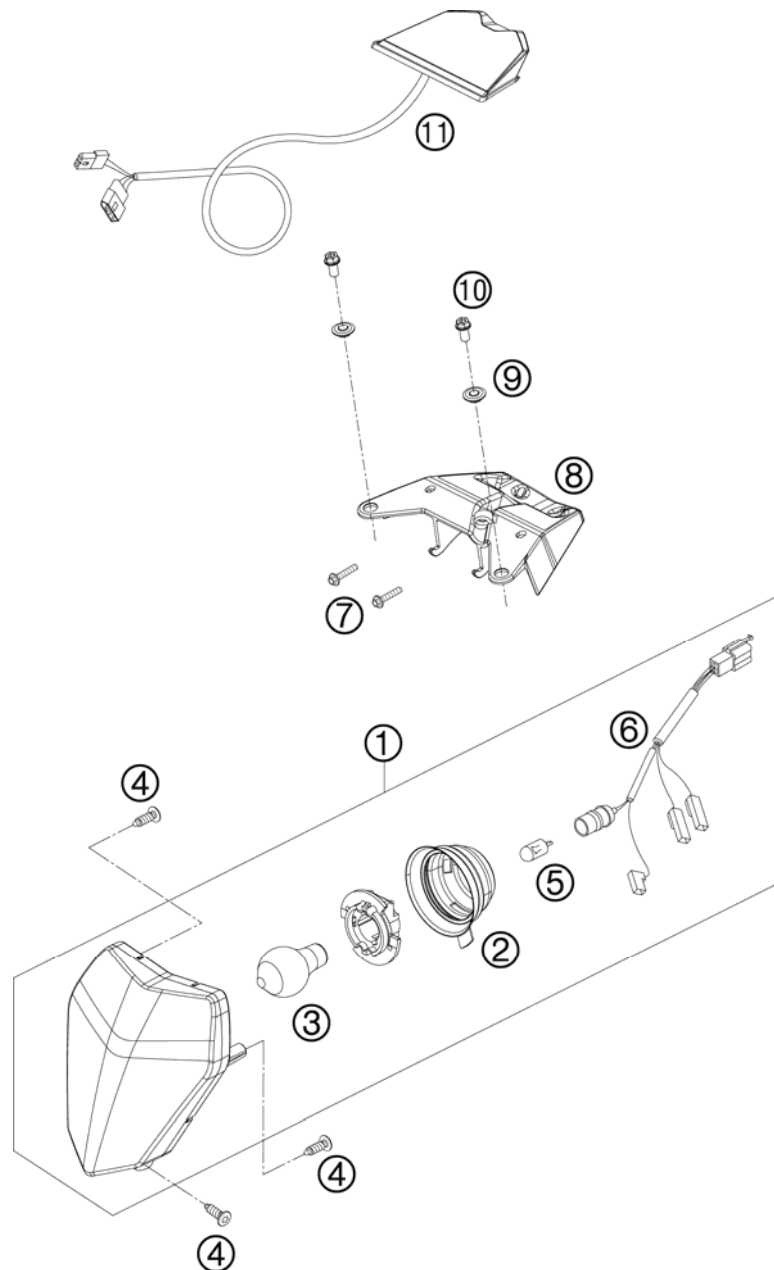


| FIG | PART NUMBER | DESCRIPTION | QTY |
|-----|-------------|-------------------------------|-----|
| 1 | 50332062000 | HOLLOW SCREW CPL. M 10X1 '98 | 1 |
| 5 | 59413013050 | COPPER GASKET | 2 |
| 6 | 83013070000 | BRAKE HOSE REAR 630MM | 1 |
| 7 | 83013080000 | BRAKE CALIPER MAGURA 28MM | 1 |
| 8 | 83013090100 | BRAKE PADS REAR ORGANIC | 1 |
| 10 | 83013089000 | ISOLATOR CPL. | 1 |
| 15 | 83013084000 | CUP SET | 1 |
| 16 | 83013081000 | REPAIR KIT PISTON MAGURA 28MM | 1 |
| 17 | 0025080166S | HH COLLAR SCREW M8X16 TX40 | 2 |

088301390 / C098301390

* NEW PART

X AS REQUIRED

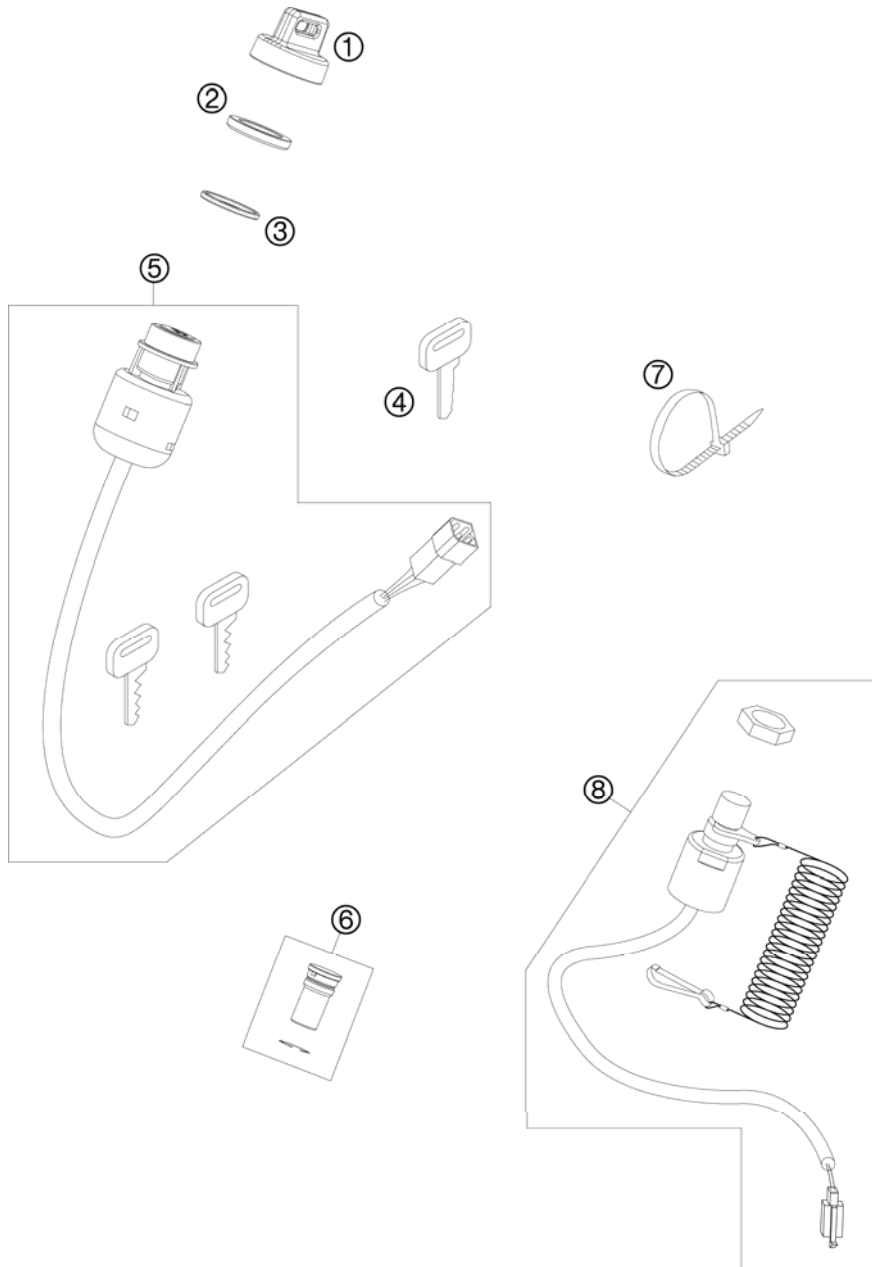


| FIG | PART NUMBER | DESCRIPTION | QTY |
|-----|-------------|-------------------------------|-----|
| 1 | 83014001000 | HEADLIGHT ATV | 1 |
| 2 | 54814001050 | RUBBER CAP FOR HEAD LIGHT 05 | 1 |
| 3 | 44111038000 | BILUX-BULB 12V 35/35W BA20D | 1 |
| 4 | 0081050181 | SCREW FOR PLASTIC K50X18 T20 | 3 |
| 5 | 49011435100 | BULB 12V 5W (W2,1X9,5D) PHIL. | 1 |
| 6 | 54811001050 | CABLE FOR HEAD LIGHT 2005 | 1 |
| 7 | 0017060203 | EJOT PT SCREW K60X20 WS=6 | 2 |
| 8 | 83008013050 | TAILLIGHT SUPPORT | 1 |
| 9 | 50308052000 | BUSH FOR SPOILER 6X11X16X5 MM | 2 |
| 10 | 0025060126 | HH COLLAR SCREW M6X12 TX30 | 2 |
| 11 | 78014040000 | REAR LIGHT EXC-EU 2008 | 1 |

088301410 / C088301410

* NEW PART

X AS REQUIRED

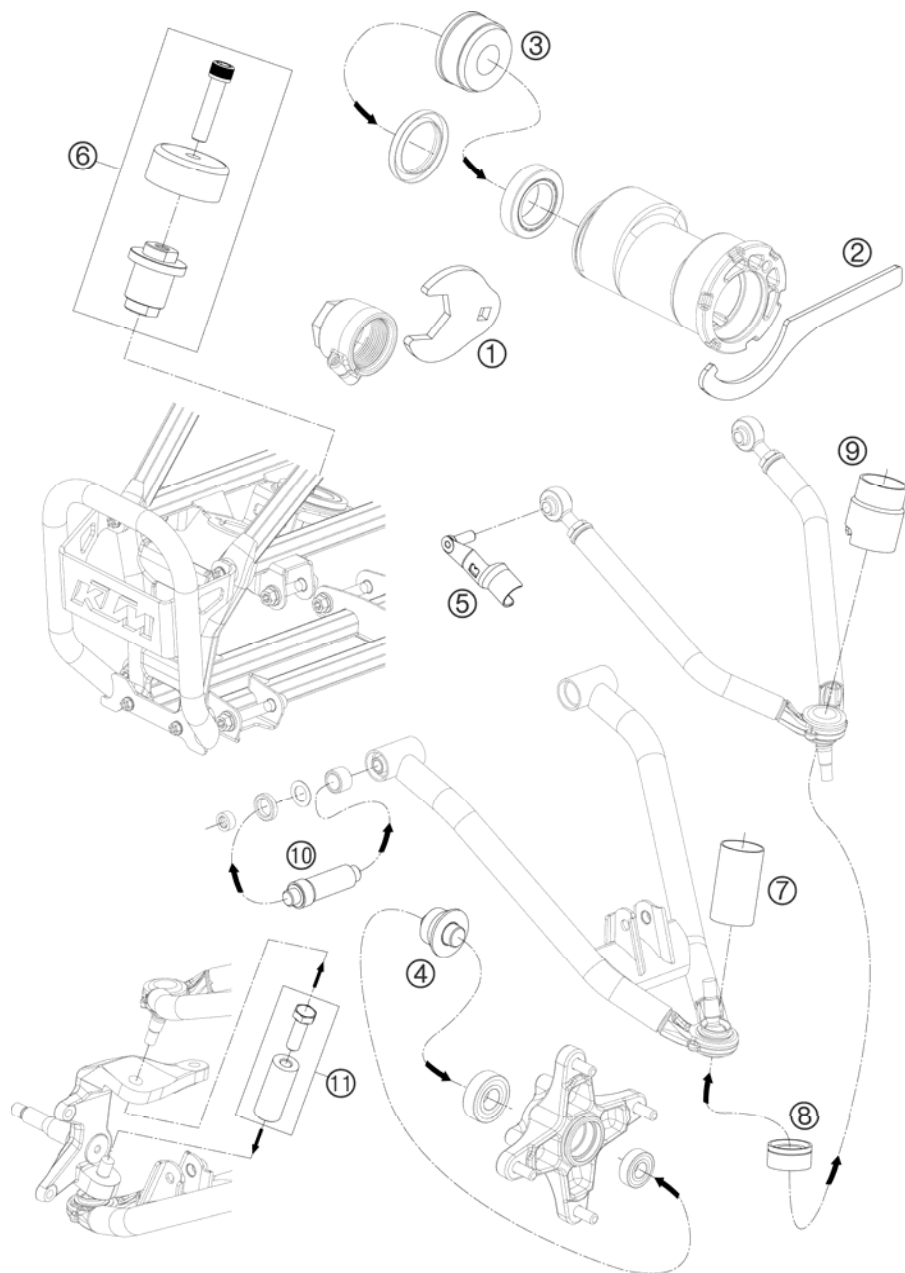


| FIG | PART NUMBER | DESCRIPTION | QTY |
|-----|-------------|--------------------------------|-----|
| 1 | 83011067050 | KEY COVER CAP | 1 |
| 2 | 50311066050 | IGNITION LOCK NUT M24X1 | 1 |
| 3 | 58411066450 | WASHER F. IGNITION LOCK 03 | 1 |
| 4 | 40011166200 | KEY BLANK BLACK "T" GRIP | 1 |
| 5 | 83011066000 | IGNITION LOCK | 1 |
| 6 | 58011021300 | H.BEAM INDICATOR LIGHT BLUE'98 | 1 |
| 6 | 58011023300 | NEUTRAL INDIC. LIGHT GREEN '98 | 1 |
| 6 | 58314085000 | INDICATOR LIGHT ORANGE "ON" 03 | 1 |
| 6 | 83011022000 | REVERSE GEAR CONTROL LAMP | 1 |
| 7 | 44011076100 | CABLE TIE 100/2,5MM BLACK | x |
| 8 | 83011089000 | TETHER SWITCH | 1 |

088301430 / C088301430

* NEW PART

X AS REQUIRED



| FIG | PART NUMBER | DESCRIPTION | QTY |
|-----|-------------|--------------------------------|-----|
| 1 | 83019010461 | OPEN END WRENCH 46MM 1/2"DRIVE | 1 |
| 2 | 83019011000 | HOOK WRENCH F.BEARING ADJUSTM. | 1 |
| 3 | 83019012000 | PRESS TOOL FOR REAR EXCENTRIC | 1 |
| 4 | 83019013000 | PRESS TOOL FR. WHEEL HUB BEAR. | 1 |
| 5 | 83019014000 | CAL. F. CASTOR-/CAMBER ADJUST. | 1 |
| 6 | 83019020000 | PRESS TOOL FOR STEERING BEAR. | 1 |
| 7 | 83019020100 | WITHDRAWING SLEEVE BALL-HEAD | 1 |
| 8 | 83019020130 | PRESS TOOL FOR A-ARM BALL-HEAD | 1 |
| 9 | 83019020150 | SUPPORT DE/MOUNTING BALL-HEAD | 1 |
| 10 | 83019020170 | PRESS TOOL A-ARM NEEDLE BEAR. | 1 |
| 11 | 83019021000 | PRESS OUT TOOL CPL. | 1 |

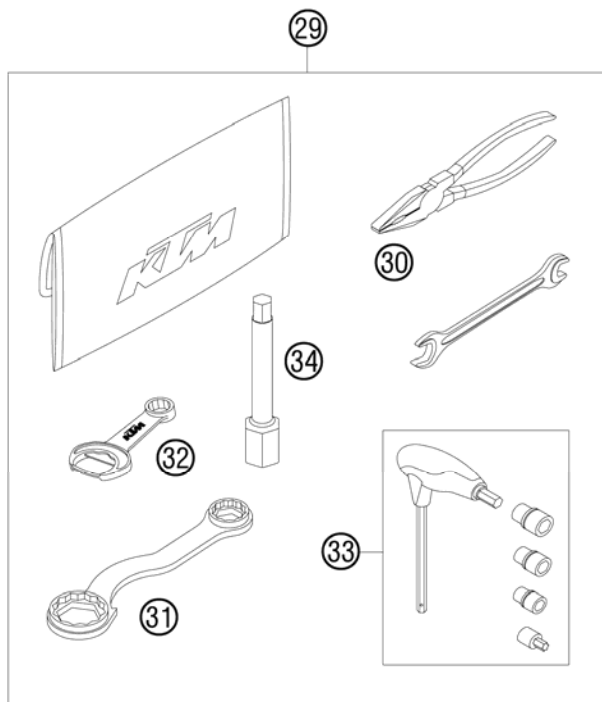
088301910 / C088301910

* NEW PART

X AS REQUIRED

①
OHNE ABBILDUNG
WITHOUT ILLUSTRATION

①
TECHNISCHE DOKUMENTATION
TECHNICAL DOCUMENTATION
DOCUMENTACION TECNICA
DOCUMENTATION TECHNIQUE
NOTE TECNICHE

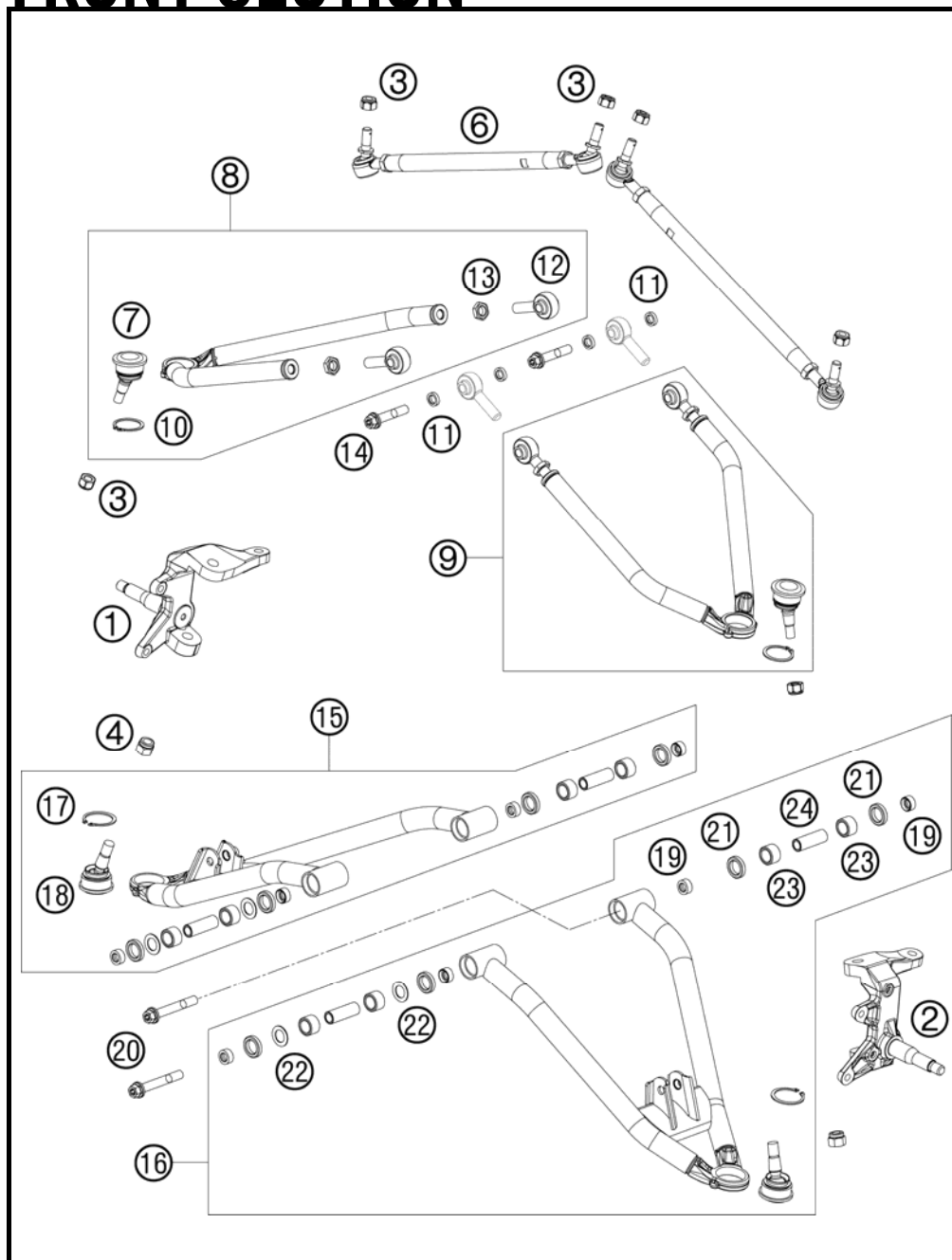


| FIG | PART NUMBER | DESCRIPTION | QTY |
|-----|--------------|--------------------------------|-----|
| 0 | 0025060166 | HH COLLAR SCREW M6X16 TX30 | 1 |
| 0 | 312305 | DOCUMENTS BAG 2006 | 1 |
| 0 | 312313 | KTM BALLPOINT ORANGE | 1 |
| 0 | 3210039 | CUSTOMER WELCOME LETTER | 1 |
| 0 | 58411098100 | CONTACT WASHER M6 VSV-K6 | 1 |
| 0 | 58511053000 | BATTERY 12V 4AH YTX5L-BS | 1 |
| 0 | 83011067050 | KEY COVER CAP | 1 |
| 0 | 83011097000 | GROUND CABLE 1 | 1 |
| 0 | 83019014000 | CAL. F. CASTOR-/CAMBER ADJUST. | 1 |
| 0* | 83519001000 | TIRE PRESSURE GAUGE | 1 |
| 1 | 3206058 | REP. INS. 450/525 XC ATV 2008 | 1 |
| 1* | 3211377EN | OWN. MAN. 450/525 XC ATV 2009 | 1 |
| 1 | 3212080 | ATV SAFETY BROCHURE | 1 |
| 1 | 3CF8501IQEN | SPM CHASSIS ATV 525 XC 2009 | 1 |
| 1 | 3CM089605IEN | SPC ENGINE 525 XC ATV 2009 | 1 |
| 1 | 83003098400 | SAFETY PLAQUETTE | 1 |
| 29 | 77029099100 | TOOL KIT 07 | 1 |
| 30 | 53012028200 | GRIP ORANGE B&F | 1 |
| 31 | 50329080100 | WRENCH SW=17/21/27/32 B&F | 1 |
| 32 | 50329071000 | WRENCH WS=13/17 | 1 |
| 33 | 60029070200 | T-WRENCH WS=6/8/10 TX=45 B&F | 1 |
| 34 | 77029072000 | SPARK PLUG KEY 250 SX-F | 1 |

088302001 / C098312002

* NEW PART

X AS REQUIRED



| FIG | PART NUMBER | DESCRIPTION | QTY |
|-----|-------------|------------------------------|-----|
| 1 | 83061006000 | WHEEL CARRIER R/S CPL. | 1 |
| 2 | 83061005000 | WHEEL CARRIER L/S CPL. | 1 |
| 3 | 0982101253 | SELF LOCK.NUT M10X1,25 | 6 |
| 4 | 83061005025 | SELF LOCK.NUT M12X1,5 | 2 |
| 6 | 83061010044 | TRACK RODS CPL. | 2 |
| 7 | 83061001050 | BALL HEAD M10X1,25 | 2 |
| 8 | 83061003044 | A-ARM TOP R/S XC CPL. | 1 |
| 9 | 83061001044 | A-ARM TOP L/S XC CPL. | 1 |
| 10 | 0471320150 | CIRCLIP DIN0471-32X1,5 | 2 |
| 11 | 83061001025 | SPACER BUSHING F. BALLJOINT | 8 |
| 12 | 83061001051 | SWIVEL HEAD | 4 |
| 13 | 0936120123 | HEXAGON NUT DIN 936 M12x1,25 | 4 |
| 14 | 0023100523 | COLLAR SCREW M10X52 TX | 4 |
| 15 | 83061004044 | A-ARM DOWN R/S XC CPL. | 1 |
| 16 | 83061002044 | A-ARM DOWN L/S XC CPL. | 1 |
| 17 | 0471350150 | CIRCLIP DIN0741-35X1,5 | 2 |
| 18 | 83061002050 | BALL HEAD M12X1,5 | 2 |
| 19 | 83061034000 | BUCKET F. SHAFT SEAL RING | 8 |
| 20 | 0023100703 | COLLAR SCREW M10X70 TX | 4 |
| 21 | 0760172660 | SHAFT SEAL RING 17X26X6 | 8 |
| 22 | 83061015000 | STOP DISK 15,2X25,7X1 | 4 |
| 23 | 83061079000 | NEEDLE BEARING HMK 1515 | 8 |
| 24 | 83061032000 | BUSHING SLEEVE F. A/ARM | 4 |

088306110 / C088306110

* NEW PART

X AS REQUIRED





KTM-Sportmotorcycle AG
A-5230 Mattighofen
www.ktm.at

KTM Group Partner



3CF8501QEN



Art.Nr.: 3CF8501QEN 6/2008